

MICRO SWITCH

A DIVISION OF MINNEAPOLIS-HONEYWELL REGULATOR COMPANY
FREEPORT, MINNESOTA

FED. MFR. CODE 91929

ACTUATOR - SWITCH

CATALOG LISTING

JX - 44

JX - 44

REPLACES

RELEASE NO. SR-10742

M

DRAWING NUMBER

X 8

X 8

ISSUE

X 8

CHECK

REVISIONS

A CO15829

M B F

17 APRIL 61

B SR-10742

R E R

18 JAN 63

C CO22579

O M W

1 MAY 67

D CO23793

W E B

6 FEB 68

E CO22579

M B S

19 APR 69

F CO30270

S R H

29 FEB 72

G CO82929

D L T

13 MAY 96

CHECK

29 AUG 60

F W F

CHECK

29 AUG 63

G C H

CHECK

29 AUG 60

K L B

DRAWN

29 AUG 60

CHECK

29 AUG 60

CHECK

29 AUG 60

CHECK

29 AUG 60

CHECK

29 AUG 60

CHECK

29 AUG 60

CHECK

29 AUG 60

CHECK

29 AUG 60

CHECK

29 AUG 60

CHECK

29 AUG 60

CHECK

29 AUG 60

CHECK

29 AUG 60

CHECK

29 AUG 60

CHECK

29 AUG 60

CHECK

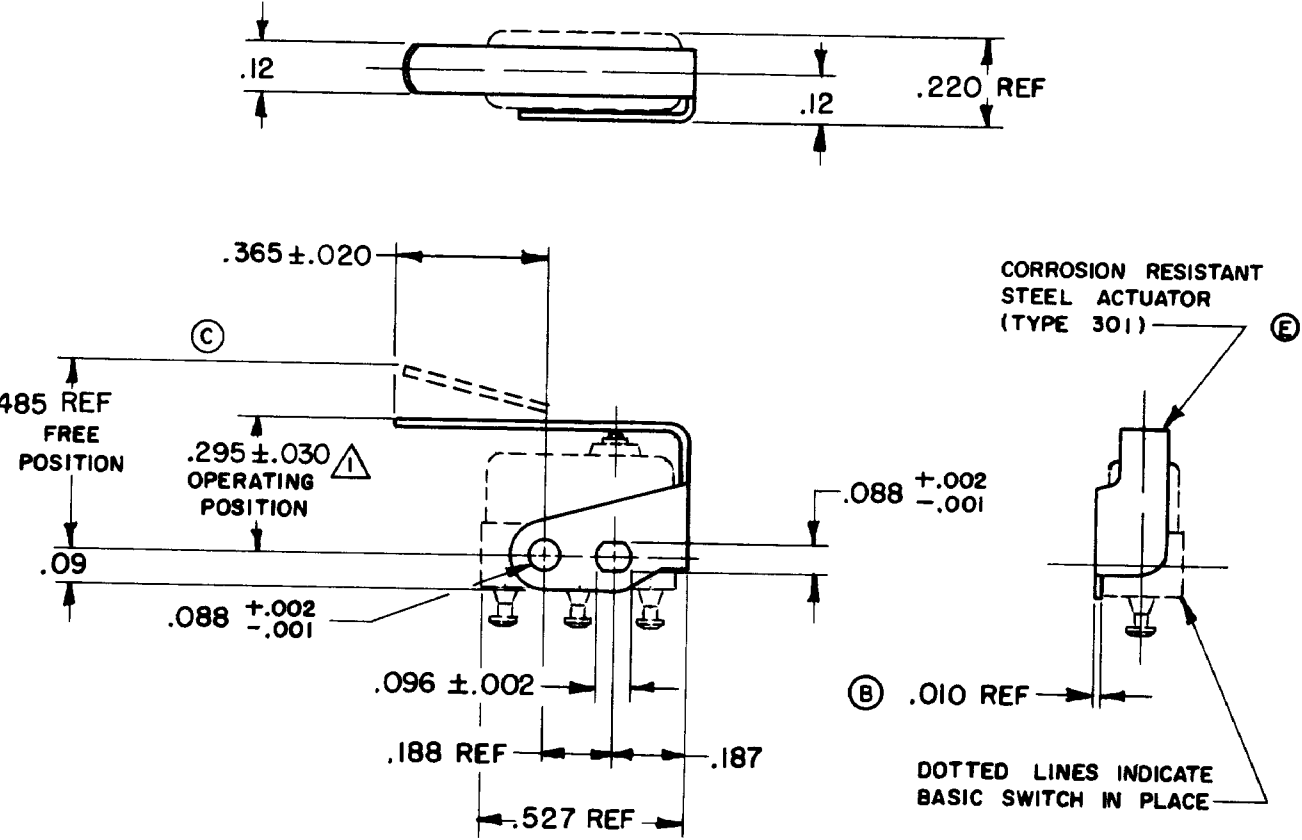
29 AUG 60

CHECK

29 AUG 60

CHECK

29 AUG 60



NOTE -
 ⚠️ SLIGHT ROTATION BETWEEN BASIC AND ACTUATOR MAY BE NECESSARY TO OBTAIN OPERATING POSITION, BASED ON USING NO. 2-56 MACHINE SCREWS

THIS DRAWING COVERS A PROPRIETARY ITEM AND IS THE PROPERTY OF MICRO SWITCH, A DIVISION OF MINNEAPOLIS-HONEYWELL REGULATOR CO. THIS DRAWING IS NOT TO BE COPIED OR USED WITHOUT THE APPROVAL OF MICRO SWITCH.

CHARACTERISTICS WITH ISXI-T BASIC SWITCH INSTALLED

OPERATING FORCE	7 OZ MAX
RELEASE FORCE	2 OZ MIN
DIFFERENTIAL TRAVEL	.025 MAX
OVERTRAVEL	.015 MIN

ELECTRICAL DATA

CONTACT ARRANGEMENT	BREAK DISTANCE
---------------------	----------------

SCALE 2 TO 1
 DO NOT SCALE PRINT
 UNLESS OTHERWISE SPECIFIED
 DIMENSIONS ARE IN INCHES
TOLERANCES ARE:
 ONE PLACE (.0) ±.030
 TWO PLACE (.00) ±.015
 THREE PLACE (.000) ±.005
 ANGLES ±
 WEIGHT

FC-50376

Mouser Electronics

Authorized Distributor

Click to View Pricing, Inventory, Delivery & Lifecycle Information:

[Honeywell:](#)

[JX-44](#)