

PLEASE CHECK WWW.MOLEX.COM FOR LATEST PART INFORMATION

Part Number: **5036601410**
Status: **Active**
Overview: Micro-Lock™ Connectors
Description: Micro-Lock 2.00mm Pitch Single-Row Right-Angle Header, 14 Circuits, White without Boss, 5036601410

Documents:

3D Model	Application Specification AS-503658-001-001 (PDF)
Drawing (PDF)	Packaging Specification 5036609200-200 (PDF)
Product Specification PS-503658-001-001 (PDF)	RoHS Certificate of Compliance (PDF)

General

Product Family	PCB Headers
Series	<u>503660</u>
Application	Wire-to-Board
Overview	<u>Micro-Lock™ Connectors</u>
Product Name	Micro-Lock
UPC	884982339910

Physical

Breakaway	No
Circuits (Loaded)	14
Circuits (maximum)	14
Color - Resin	White
Durability (mating cycles max)	30
First Mate / Last Break	No
Glow-Wire Compliant	No
Guide to Mating Part	No
Lock to Mating Part	Yes
Material - Metal	Brass
Material - Plating Mating	Tin
Material - Plating Termination	Nickel
Material - Resin	PBT
Net Weight	1442.200/mg
Number of Rows	1
Orientation	Right Angle
PC Tail Length	3.00mm
PCB Locator	No
PCB Retention	None
PCB Thickness - Recommended	1.20mm, 1.60mm
Packaging Type	Tray
Pitch - Mating Interface	2.00mm
Surface Mount Compatible (SMC)	No
Termination Interface: Style	Through Hole - Kinked Pin

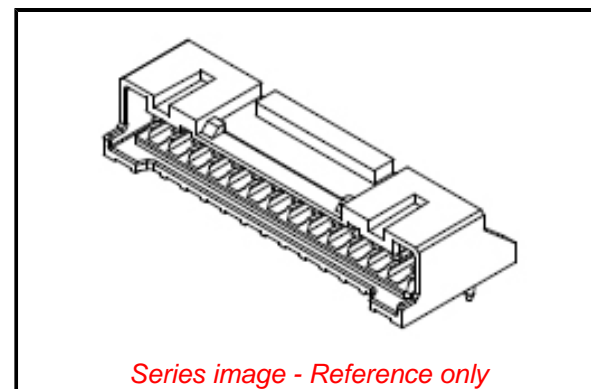
Electrical

Current - Maximum per Contact	3.0A
Voltage - Maximum	250V

Material Info

Reference - Drawing Numbers

Application Specification	AS-503658-001-001
Packaging Specification	5036609200-200
Product Specification	PS-503658-001-001
Sales Drawing	SD-503660-001



EU ELV

Not Relevant

EU RoHS

Compliant

REACH SVHC

Not Contained Per -
ED/30/2017 (7 July
2017)

Halogen-Free

Status

Low-Halogen

Need more information on product environmental compliance?

Email productcompliance@molex.com
Please visit the [Contact Us](#) section for any non-product compliance questions.

China ROHS	Green Image
ELV	Not Relevant
RoHS Phthalates	Not Contained

Search Parts in this Series

[503660](#) Series

Mates With

[503658](#) Micro-Lock Wire-to-Board Crimp Housing

This document was generated on 12/08/2017

PLEASE CHECK WWW.MOLEX.COM FOR LATEST PART INFORMATION

Mouser Electronics

Authorized Distributor

Click to View Pricing, Inventory, Delivery & Lifecycle Information:

[Molex:](#)

[503660-1410](#)