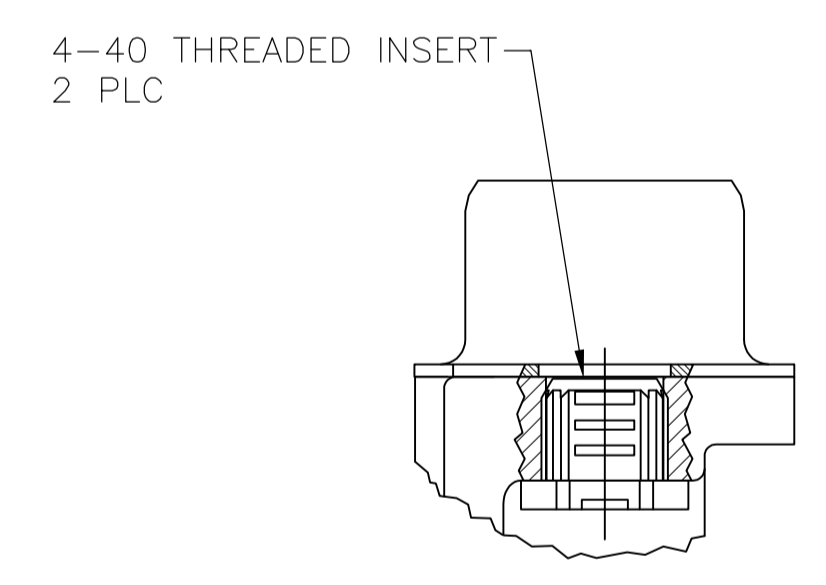
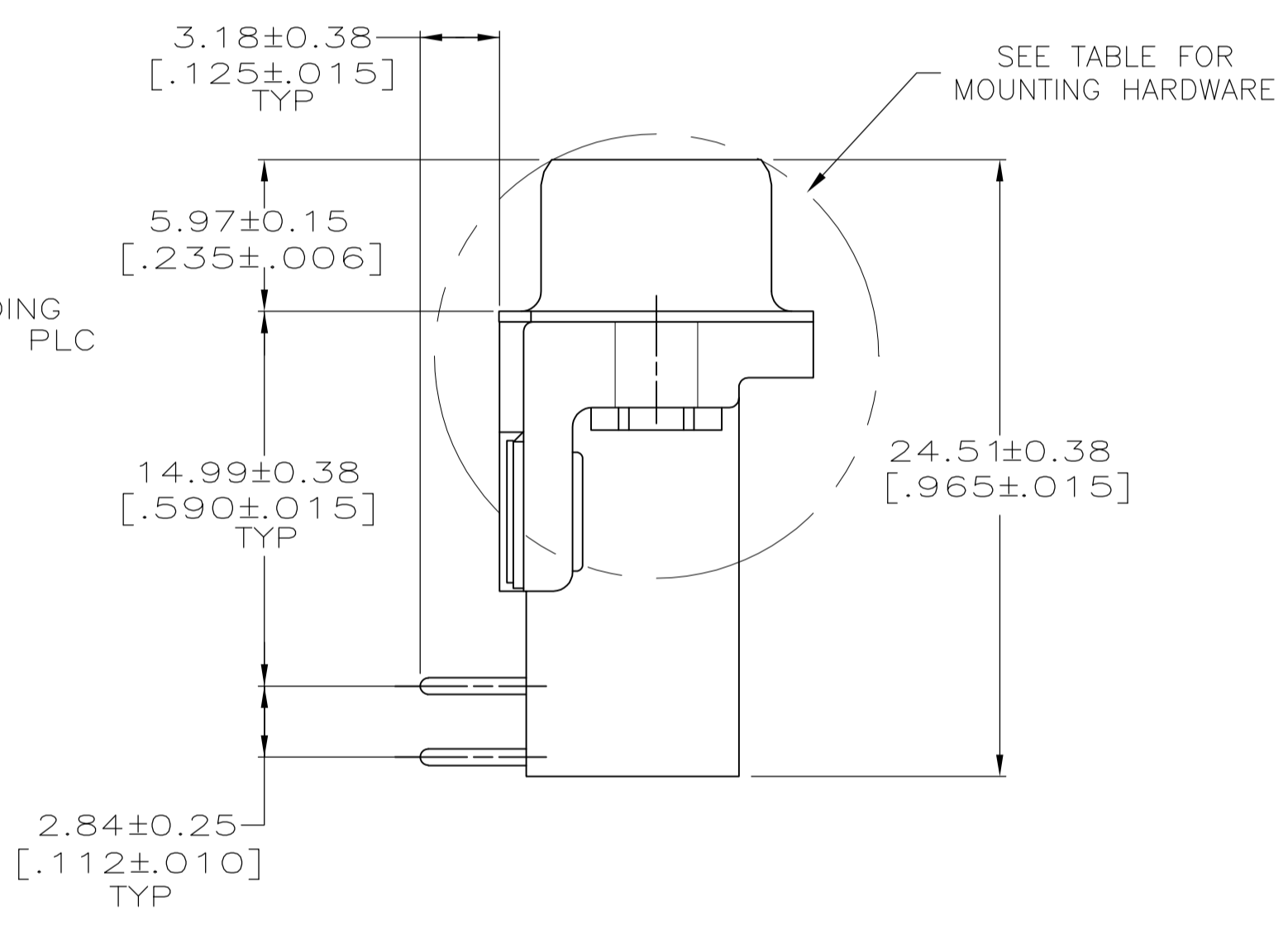
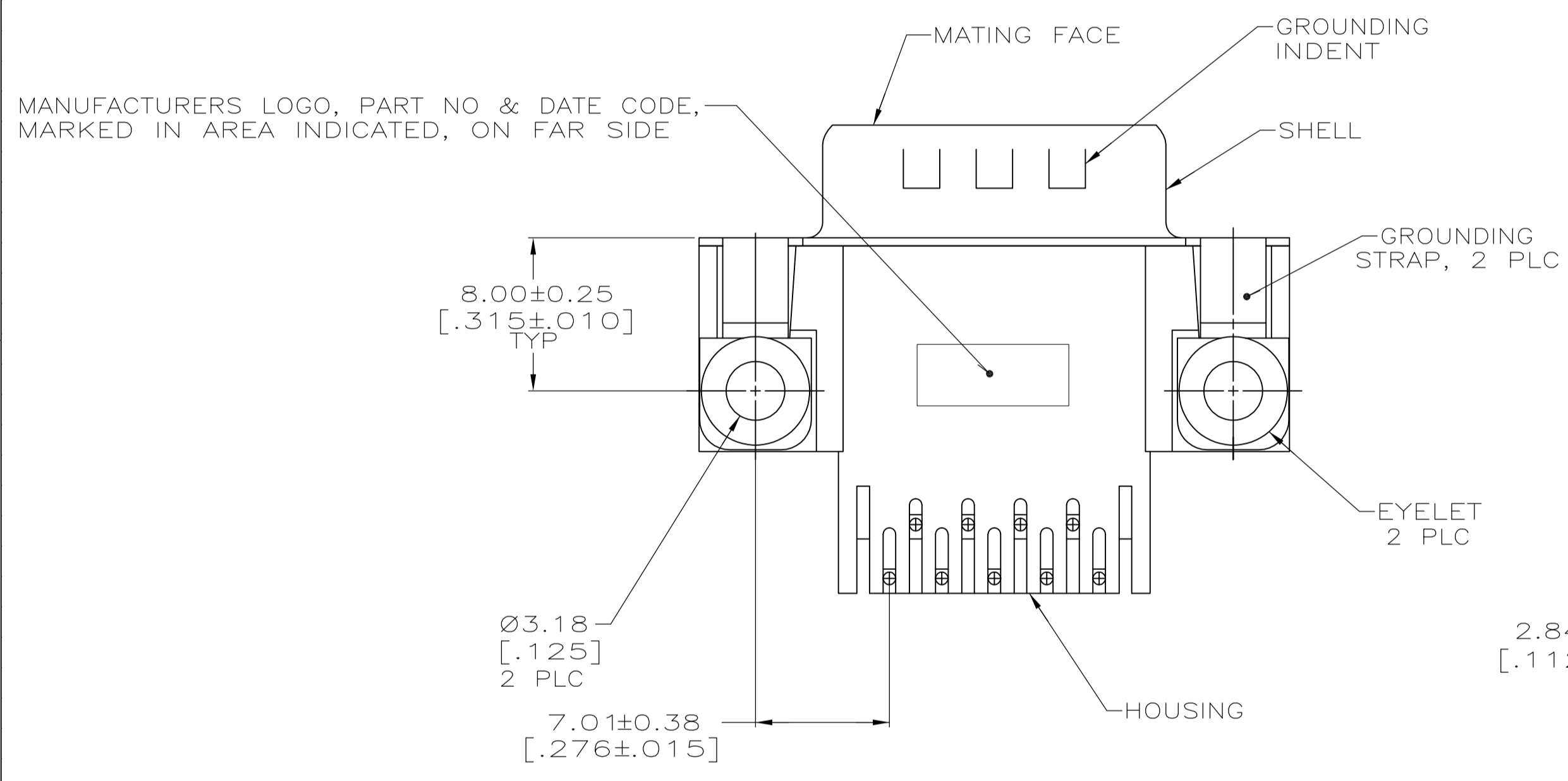
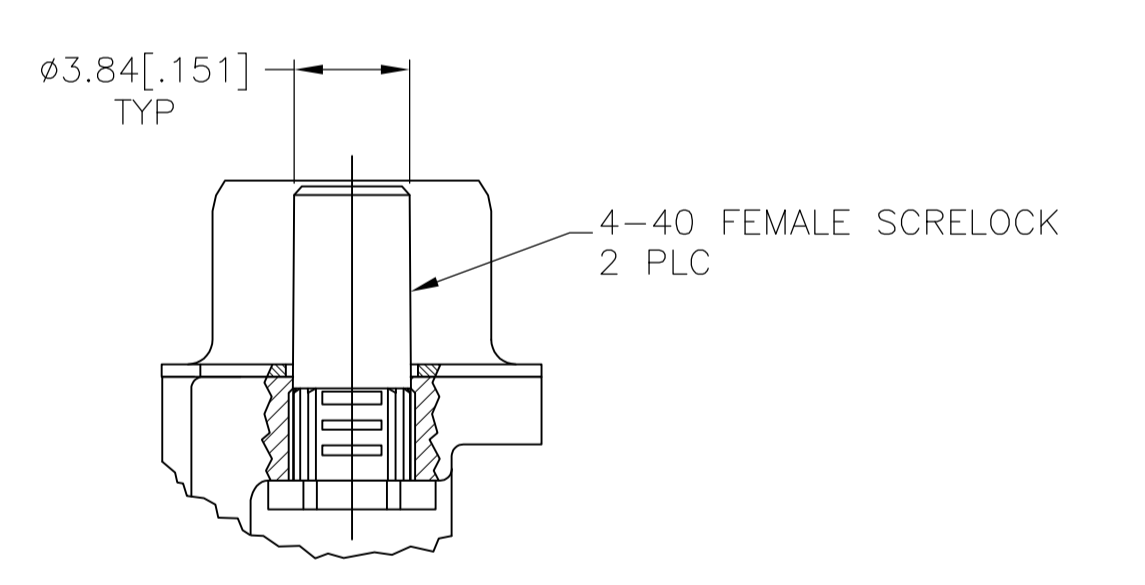


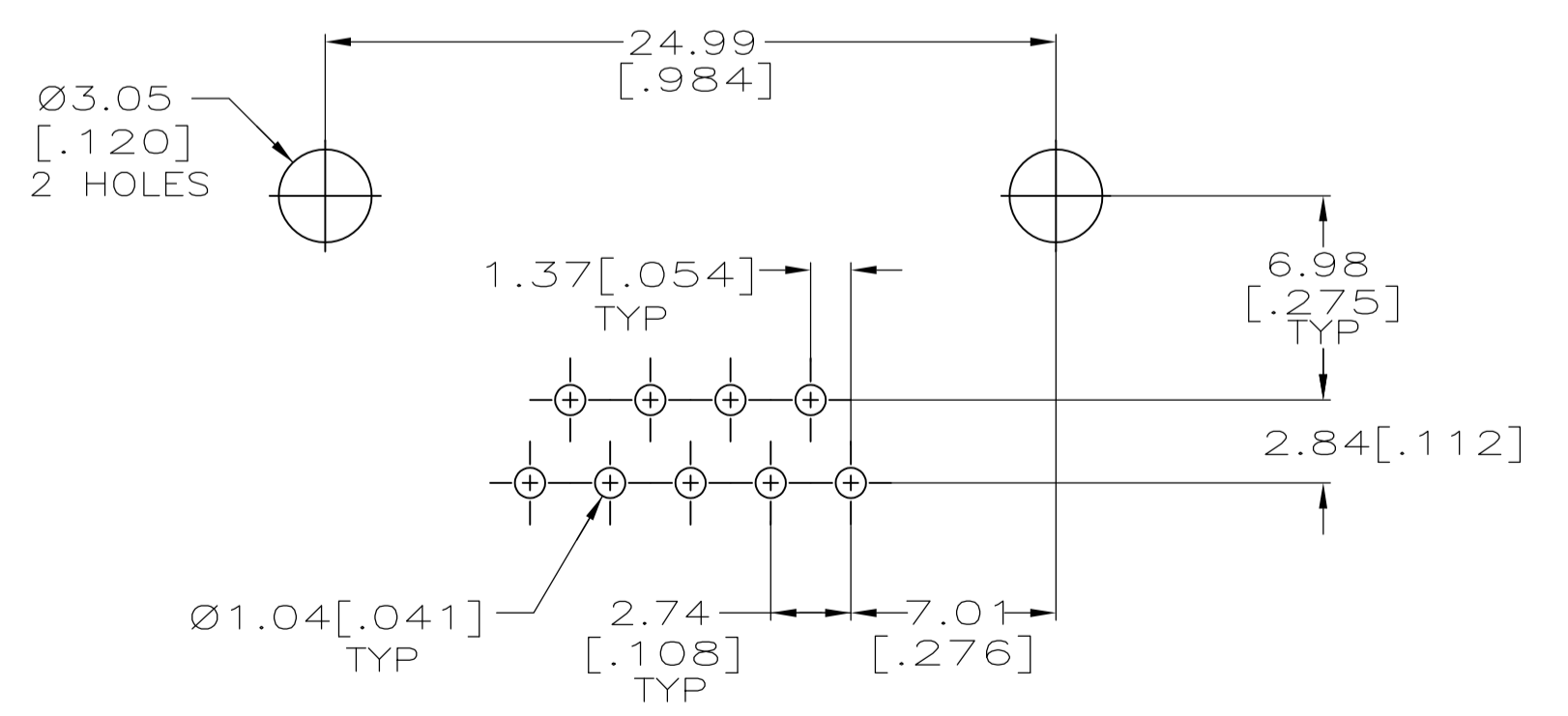
- 1 HOUSING: NYLON OR POLYESTER, FLAME RETARDANT, UL 94V-0 RATED, GLASS FILLED, BLACK, CONTACTS: BRASS, SHELL: CARBON STEEL, EYELETS: BRASS, INSERTS & SCREWLOCKS: ZINC
- 2 SHELL: $2.54 \mu\text{m}$ [.000100] MIN TIN OVER $1.27 \mu\text{m}$ [.000050] MIN COPPER. EYELETS: $2.54 \mu\text{m}$ [.000100] MIN TIN OVER COPPER FLASH. INSERTS & SCREWLOCKS: CLEAR CHROMATE, CONTACTS: SEE TABLE
- 3 GOLD FLASH ON THE MATING SURFACES, $2.54 \mu\text{m}$ (.000100) MIN TIN PLATE ON THE SOLDER END, $1.27 \mu\text{m}$ (.000050) MIN NICKEL UNDERPLATE ON THE ENTIRE CONTACT.
- 4 $0.76 \mu\text{m}$ (.000030) MIN GOLD PLATE ON THE MATING SURFACES, $2.54 \mu\text{m}$ (.000100) MIN TIN PLATE ON THE SOLDER END, $1.27 \mu\text{m}$ (.000050) MIN NICKEL UNDERPLATE ON THE ENTIRE CONTACT -OR- GOLD FLASH OVER PALLADIUM-NICKEL PLATE, $0.76 \mu\text{m}$ (.000030) MIN TOTAL ON THE MATING SURFACES, $2.54 \mu\text{m}$ (.000100) MIN TIN PLATE ON THE SOLDER END, $1.27 \mu\text{m}$ (.000050) MIN NICKEL UNDERPLATE ON THE ENTIRE CONTACT.



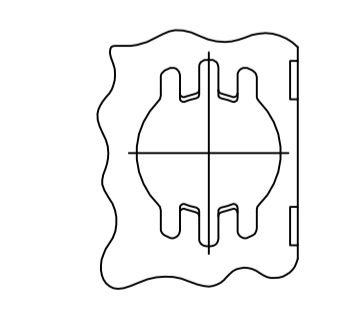
DETAIL D



DETAIL E



P.C. BOARD MOUNTING DIMENSIONS



FOR -6 ONLY

DETAIL F
2 PLC

SEE DETAIL E	△	5745990-6
SEE DETAIL D	△	5745990-4
SEE DETAIL D	△	5745990-3
MOUNTING HARDWARE	△	PART NUMBER

THIS DRAWING IS A CONTROLLED DOCUMENT. DIMENSIONING AND TOLERANCING PER ASME Y14.5M-2009		DIN A. FERNANDEZ-DUCKS 04-08-05 S. BOLASH 04-08-05	APVD M. WALMSLEY 04-08-05	NAME PLUG ASSEMBLY, SIZE 1, 9 POSITION, RIGHT ANGLE, FRONT METAL SHELL, .590 SERIES, AMPLIMITE HD-20
DIMENSIONS: mm [INCHES]	TOLERANCES UNLESS OTHERWISE SPECIFIED:	PRODUCT SPEC 108-40025		
0 PLC ± -	1 PLC ± -	APPLICATION SPEC 114-40010		
2 PLC ± ± 0.13 [.005]	3 PLC ± -	SIZE A1	CAGE CODE 00779	DRAWING NO 5745990
4 PLC ± -	ANGLES ± °	WEIGHT -	RESTRICTED TO -	SCALE 1:1
MATERIAL 1	FINISH 2	CUSTOMER DRAWING		
		SHEET 1	OF 1	REV D

Mouser Electronics

Authorized Distributor

Click to View Pricing, Inventory, Delivery & Lifecycle Information:

[TE Connectivity:](#)

[5745990-3](#)