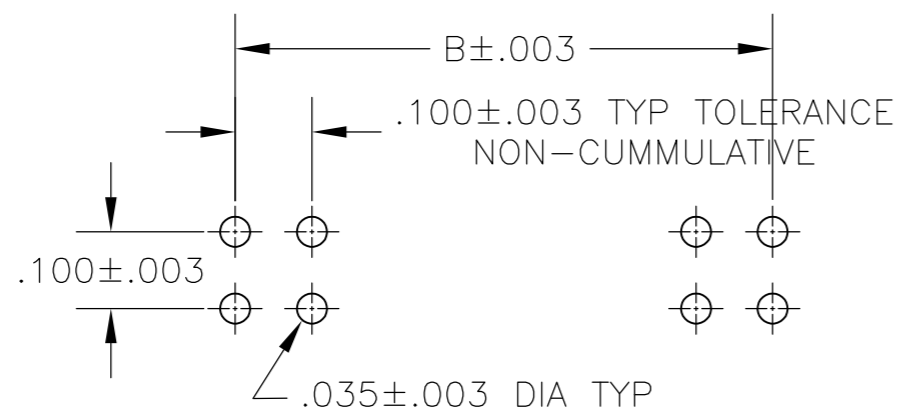
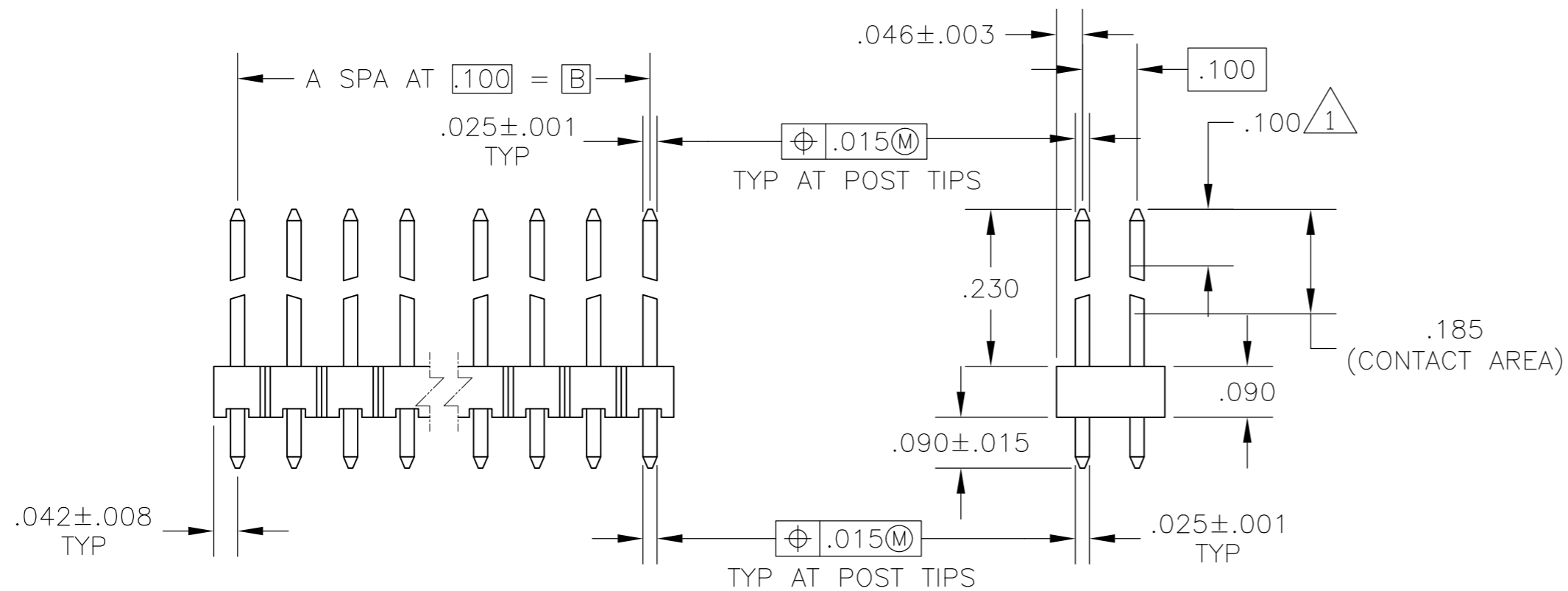
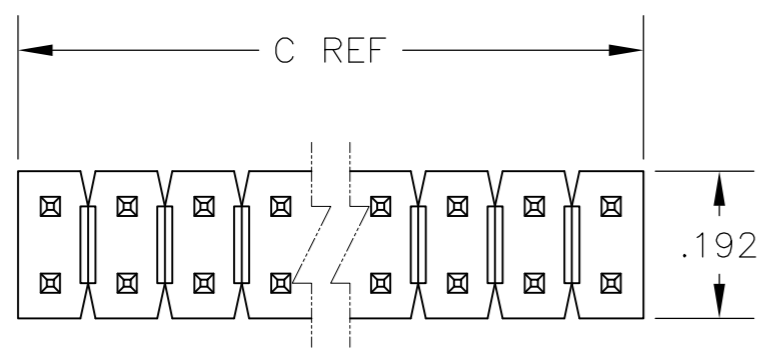


THIS DRAWING IS UNPUBLISHED. RELEASED FOR PUBLICATION  
 © COPYRIGHT - By - ALL RIGHTS RESERVED.

REVISIONS				
P	LTR	DESCRIPTION	DATE	DWN APVD
	H1	REVISED PER ECO-16-012733	07SEP2016	NK MM



RECOMMENDED HOLE LAYOUT

- 1 POINT OF MEASUREMENT FOR PLATING THICKNESS.
- 2 ASSEMBLIES MAY BE BROKEN TO THE DESIRED NUMBER OF POSITIONS.
- 3 TRUE POSITION TOLERANCE OF THE POST TIPS APPLIES WHEN THE HEADERS ARE HELD FLAT AGAINST THE PRINTED CIRCUIT BOARD.
- 4 .000030 GOLD ON THE CONTACT AREA, .000100-.000200 MATTE TIN-LEAD ON THE SOLDER TAIL, ALL OVER .000050 NICKEL.
- 5 OBSOLETE PARTS: OBSOLETE CIS STREAMLINING PER D.RENAUD/D.SINISI.

	C	B	A	NO OF POS	ASSEMBLY PART NUMBER
	3.984	3.900	39	80	4-103783-0
5 OBSOLETE	3.884	3.800	38	78	3-9
	3.784	3.700	37	76	3-8
	3.684	3.600	36	74	3-7
	3.584	3.500	35	72	3-6
5 OBSOLETE	3.484	3.400	34	70	3-5
	3.284	3.300	33	68	3-4
	3.284	3.200	32	66	3-3
	3.184	3.100	31	64	3-2
5 OBSOLETE	3.084	3.000	30	62	3-1
	2.984	2.900	29	60	3-0
	2.884	2.800	28	58	2-9
	2.784	2.700	27	56	2-8
	2.684	2.600	26	54	2-7
	2.584	2.500	25	52	2-6
	2.484	2.400	24	50	2-5
	2.384	2.300	23	48	2-4
	2.284	2.200	22	46	2-3
	2.184	2.100	21	44	2-2
5 SUPERCEDED BY 7-146261-0	2.084	2.000	20	42	2-1
	1.984	1.900	19	40	2-0
5 OBSOLETE	1.884	1.800	18	38	1-9
	1.784	1.700	17	36	1-8
5 SUPERCEDED BY 6-146261-5	1.684	1.600	16	34	1-7
	1.584	1.500	15	32	1-6
5 OBSOLETE	1.484	1.400	14	30	1-5
	1.384	1.300	13	28	1-4
5 OBSOLETE	1.284	1.200	12	26	1-3
	1.184	1.100	11	24	1-2
5 OBSOLETE	1.084	1.000	10	22	1-1
	.984	.900	9	20	1-0
5 OBSOLETE	.884	.800	8	18	-9
	.784	.700	7	16	-8
	.684	.600	6	14	-7
	.584	.500	5	12	-6
	.484	.400	4	10	-5
	.384	.300	3	8	-4
	.284	.200	2	6	-3
	.184	.100	1	4	-2
	.084	-	-	2	103783-1

THIS DRAWING IS A CONTROLLED DOCUMENT. DWN L.D.RINGLEY 7-25-85  
 CHK R.ELICKER 7-25-85  
 APVD R.ELICKER 7-25-85  
 PRODUCT SPEC  
 APPLICATION SPEC  
 WEIGHT -

DIMENSIONS: INCHES TOLERANCES UNLESS OTHERWISE SPECIFIED:  
 0 PLC ± -  
 1 PLC ± -  
 2 PLC ± -  
 3 PLC ± .005  
 4 PLC ± -  
 ANGLES ± -  
 FINISH POSTS 4

MATERIAL: HOUSING-FLAME RETARDANT THERMOPLASTIC  
 COLOR-BLACK  
 POSTS: COPPER ALLOY

TE Connectivity  
 ASSEMBLY, MOD II, HEADER, BREAKAWAY, DOUBLE ROW, .100X .100 CL, WITH .025 SQUARE POSTS  
 SIZE A2 CAGE CODE 00779 DRAWING NO. 103783 RESTRICTED TO  
 SCALE 4:1 SHEET 1 OF 1 REV H1

# Mouser Electronics

Authorized Distributor

Click to View Pricing, Inventory, Delivery & Lifecycle Information:

[TE Connectivity:](#)

[3-103783-0](#)