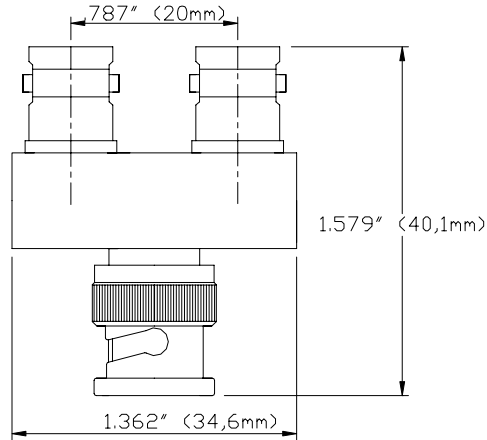


**Model 6754
BNC (F/M/F) Adapter, In-Line, 75 Ω**



Model 6754 BNC (F/M/F) Adapter, In-Line 75 Ω



Use 75 Ω Pomona BNC In-Line adapters for your broadcast applications

Features

- All connectors and adapters are 75 Ω for broadcast applications.
 - Made from precision machined high quality brass.
 - Insulation material is high density PTFE (**not delrin**).

Materials

- Body is precision machined brass with tarnish resistant nickel plating.
- Male center pin contacts are gold-plated brass (20 micro-inches).
- Female center contacts are gold-plated heat treated beryllium copper.
- High quality machined PTFE dielectric.

Ordering Information

Model: 6754

Specifications

Nominal impedance	75 Ω
Frequency	0-3 GHz
VSWR	1.10 max. 0-1 GHz 1.35 max. 1-3 GHz
Center contact resistance	1.5 mΩ
Insulation resistance	5000 MΩ
Number of insertions	500

Ratings:

Voltage: 500 Vrms
Operating Temperature: -85 °F to +329 °F (-65 °C to +165 °C) Max.

USA: Sales: 800-490-2361 Technical Support: 800-241-2060 Fax: 888-403-3360

Europe: 31-(0) 40 2675 150 International: 425-446-5500
e-mail: technicalsupport@pomonatest.com

Where to Buy: www.pomonaelectronics.com

All dimensions are in inches. Tolerances (except noted): .xx = ±.02" (.51 mm), .xxx = ±.005" (.127 mm). All specifications are to the latest revisions. Specifications are subject to change without notice. Registered trademarks are the property of their respective companies.

Mouser Electronics

Authorized Distributor

Click to View Pricing, Inventory, Delivery & Lifecycle Information:

Pomona:

[6745](#) [6754](#) [6752A](#)