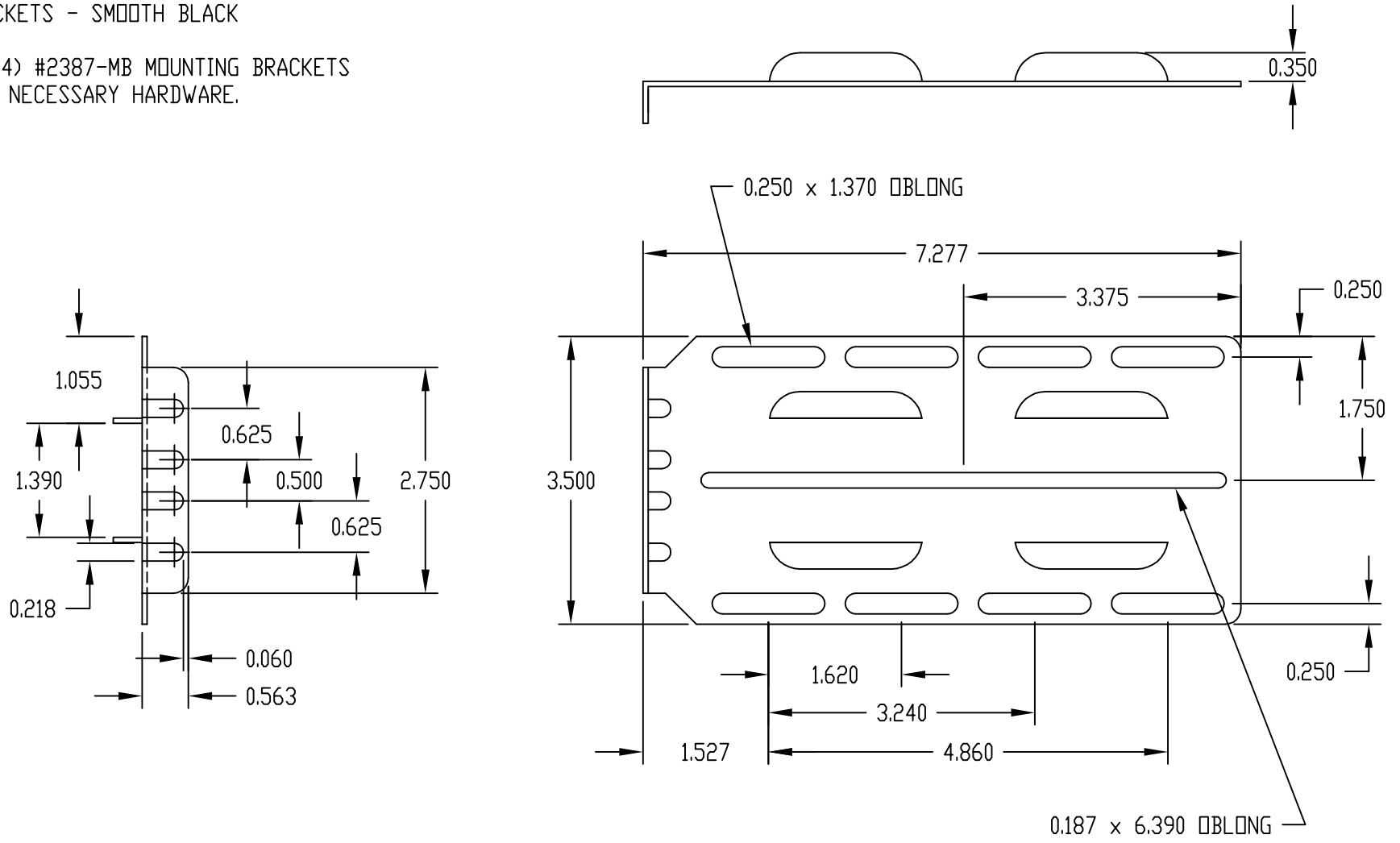


PART NAME	SLIDE MOUNTING BRACKET KIT	PART No.	BAS-5106	REV. DATE	3-27-08
-----------	----------------------------	----------	----------	-----------	---------

MATERIAL:  
BRACKETS - 16 GA. STEEL

FINISH:  
BRACKETS - SMOOTH BLACK

QTY. (4) #2387-MB MOUNTING BRACKETS  
AND NECESSARY HARDWARE.

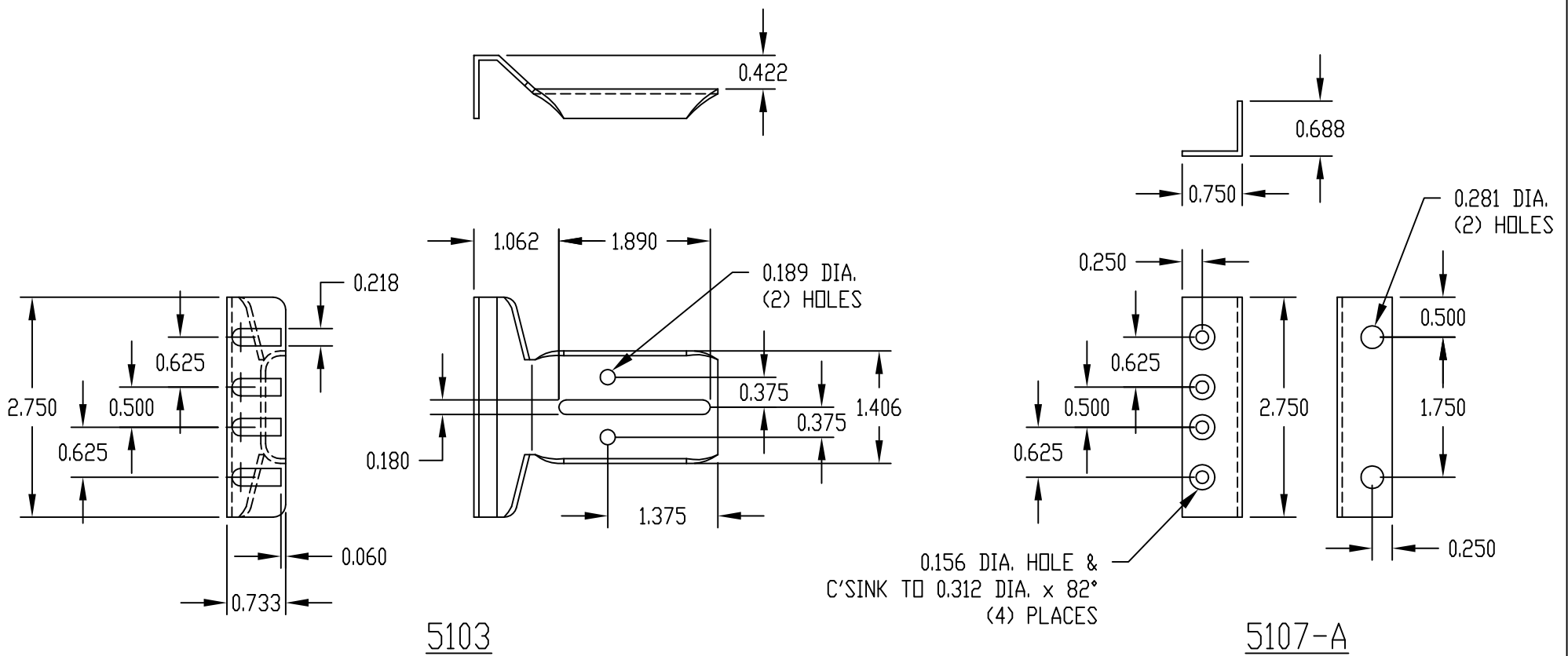


PART NAME	SLIDE MOUNTING BRACKET KIT	PART No.	BAS-5108
-----------	----------------------------	----------	----------

MATERIAL:  
BRACKETS - 16 GA. STEEL

FINISH:  
BRACKETS - ZINC PLATED

QTY. (4) #5103 MOUNTING BRACKETS  
QTY. (4) #5107-A "L" BRACKETS  
AND NECESSARY HARDWARE.



# Mouser Electronics

Authorized Distributor

Click to View Pricing, Inventory, Delivery & Lifecycle Information:

[Bud Industries:](#)

[BAS-5108](#) [BAS-5106](#)