

4

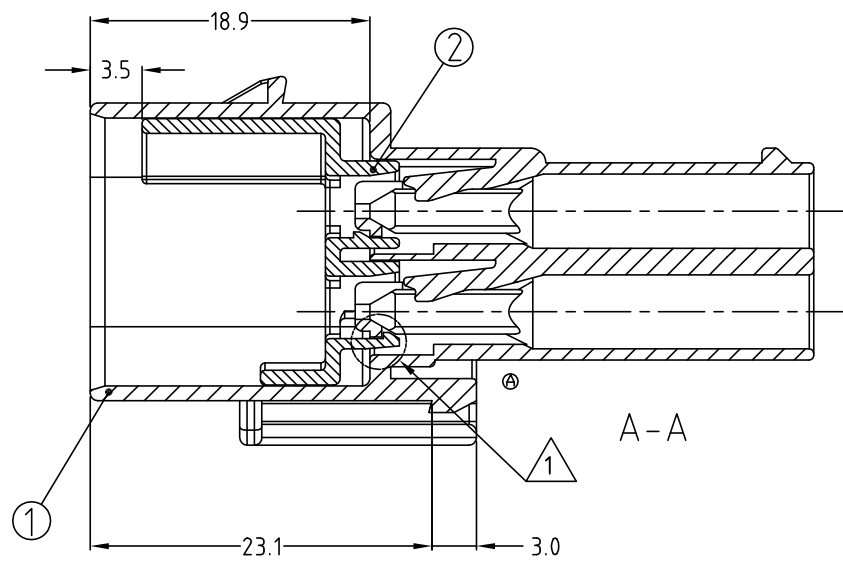
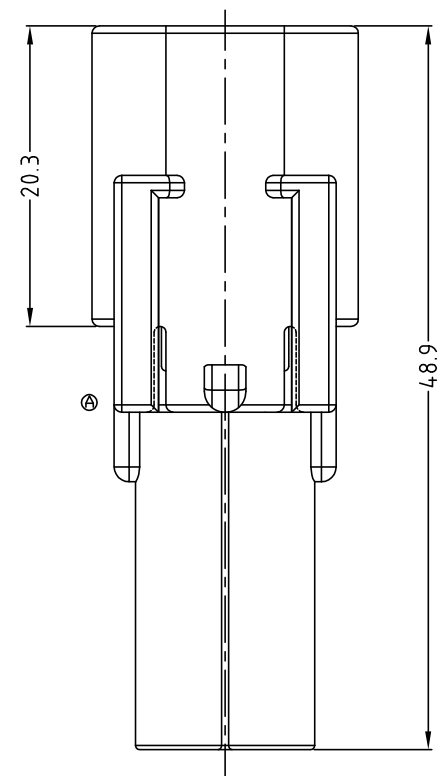
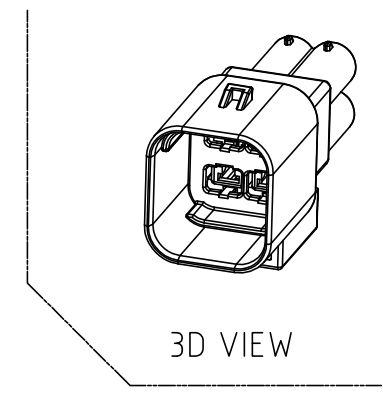
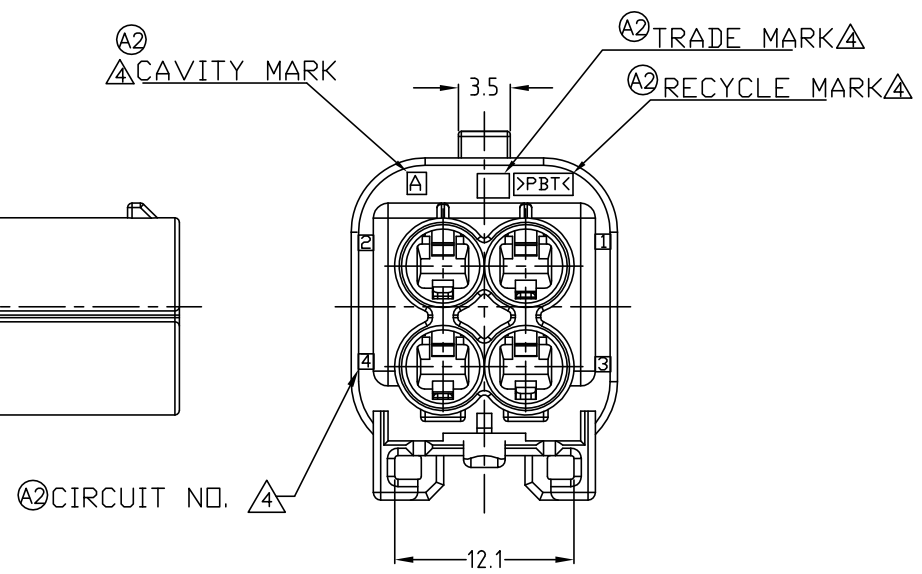
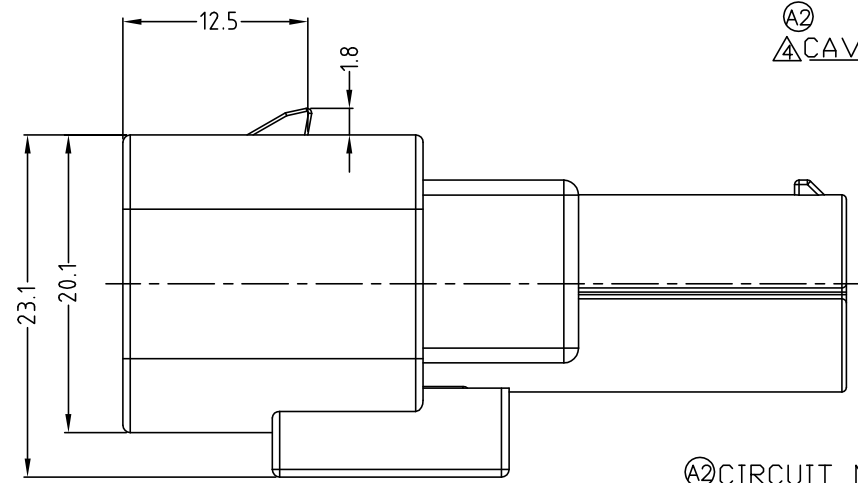
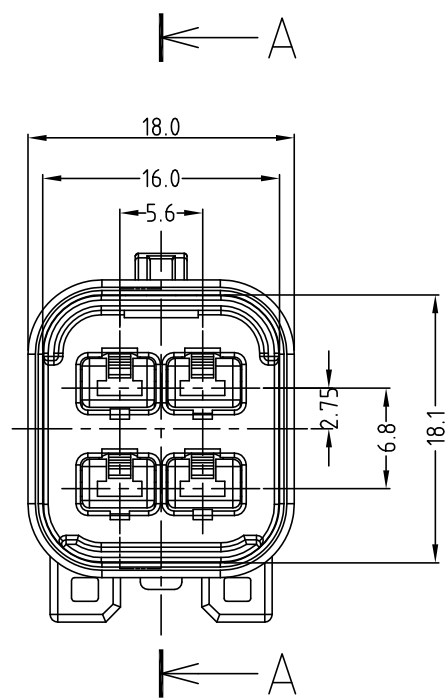
3

2

1

THIS DRAWING IS UNPUBLISHED. RELEASED FOR PUBLICATION
COPYRIGHT BY TYCO ELECTRONICS CORPORATION, ALL RIGHTS RESERVED.

LOC	DIST	REVISIONS					
		P	LTR	DESCRIPTION	DATE	DWN	APVD
DS	-		A	REVISED<FC00-0317-04>	07,DEC,'04	JG	CS
			A1	REVISED<ECR-06-013973>	09,JUN,'06	YH	JK
			A2	REVISED<ECR-10-017371>	14,SEP,'10	SJ	HG



- NOTES:
- CONDITION OF DELIVERY : DBL PLATE IN OPEN POSITION.
 - APPLIED TAB CONTACT P/N :

CONTACT	MCP-E TERMINAL	
Part No.	936612-1	936613-1
WIRE SIZE(mm ²)	1.0 ~ 2.5	0.5 ~ 1.0
 - APPLIED FEMALE CONNECTOR P/N : 936254
 - ALL CHARACTERS SHALL BE CLEAR AND LEGIBLE
 - TRADE MARK: 1.0 CHARACTERS 0.2 RAISED
 - CAVITY MARK & CURCUIT NO: 1.0 CHARACTERS 0.2 RAISED
 - RECYCLE MARK: 1.0 CHARACTERS 0.2 RAISED

NO	DESCRIPTION	MATERIAL	COLOR /FINISH	ASS'Y FOR Q'TY	A	A	REV
2	DBL HOUSING	PBT GF10	WHITE	1	1		
1	CAP HOUSING	PBT	GRAY	1	•		
			BLACK	•	1		

THIS DRAWING IS A CONTROLLED DOCUMENT FOR TYCO ELECTRONICS CORPORATION IT IS SUBJECT TO CHANGE AND THE CONTROLLING ENGINEERING ORGANIZATION SHOULD BE CONTACTED FOR THE LATEST REVISION.

DIMENSIONS: MM	TOLERANCES UNLESS OTHERWISE SPECIFIED: 0 <XXX<10 ± 0.2 10<XXX<30 ± 0.25 30<XXX ± 0.3 ANGLES ± 3°
MATERIAL SEE TABLE	FINISH SEE TABLE

DWN SJ CHOI
CHK JW JUNG
APVD HG CHD
PRODUCT SPEC -
APPLICATION SPEC -
WEIGHT -

Tyco Electronics Tyco Electronics kyungsan, korea

NAME MCP-E SEALED 4P CAP ASSEMBLY

SIZE A3 CAGE CODE 00779 DRAWING NO C-936293 RESTRICTED TO -

CUSTOMER DRAWING SCALE 2/1 SHEET 1 OF 1 REV A2

Mouser Electronics

Authorized Distributor

Click to View Pricing, Inventory, Delivery & Lifecycle Information:

[TE Connectivity:](#)

[936293-2](#)