

Accessories - MCC-MT 0,2-0,35 (0,0) BA - 1923717

Please be informed that the data shown in this PDF Document is generated from our Online Catalog. Please find the complete data in the user's documentation. Our General Terms of Use for Downloads are valid (<http://phoenixcontact.com/download>)



Female contact, is inserted into the plug after crimping the conductor, for the module plug housing MCC 1...-STZ-3,81 and MCC 1...-STZF-3,81, for cross sections of 0.2 mm² to 0.34 mm²

Supplied in tape form - please note the drawing.



Key Commercial Data

Packing unit	1 pc
Minimum order quantity	8000 pc
Weight per Piece (excluding packing)	0.44 g
Custom tariff number	85366990
Country of origin	Germany

Technical data

General

Nominal current	4 A
Conductor cross section flexible min.	0.2 mm ²
Max. conductor cross section, flexible	0.35 mm ²

Connection data

Core diameter including insulation	1.1 mm ... 1.3 mm
Stripping length of individual wires	4 mm

Classifications

eCl@ss

eCl@ss 4.0	272607xx
eCl@ss 4.1	27260701
eCl@ss 5.0	27260701

Accessories - MCC-MT 0,2-0,35 (0,0) BA - 1923717

Classifications

eCl@ss

eCl@ss 5.1	27260701
eCl@ss 6.0	27260704
eCl@ss 7.0	27440402
eCl@ss 8.0	27440309
eCl@ss 9.0	27440309

ETIM

ETIM 3.0	EC000438
ETIM 4.0	EC000438
ETIM 5.0	EC002638

UNSPSC

UNSPSC 6.01	30211810
UNSPSC 7.0901	39121410
UNSPSC 11	39121409
UNSPSC 12.01	39121409
UNSPSC 13.2	39121409

Approvals

Approvals

Approvals

EAC

Ex Approvals

Approvals submitted

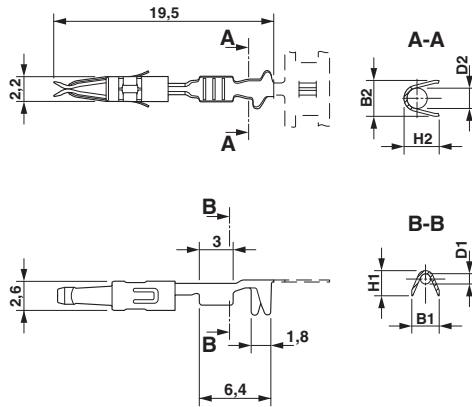
Approval details

EAC

Drawings

Accessories - MCC-MT 0,2-0,35 (0,0) BA - 1923717

Dimensional drawing



Mouser Electronics

Authorized Distributor

Click to View Pricing, Inventory, Delivery & Lifecycle Information:

[Phoenix Contact:](#)

[1923717](#)