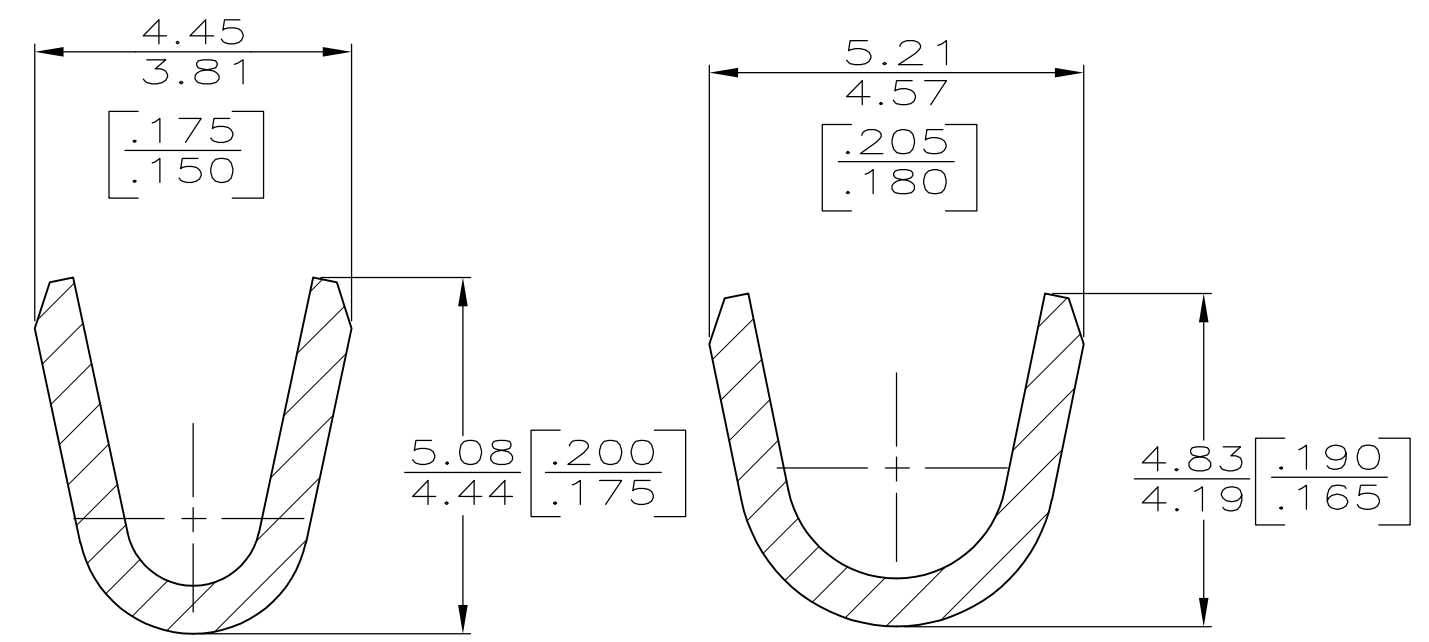
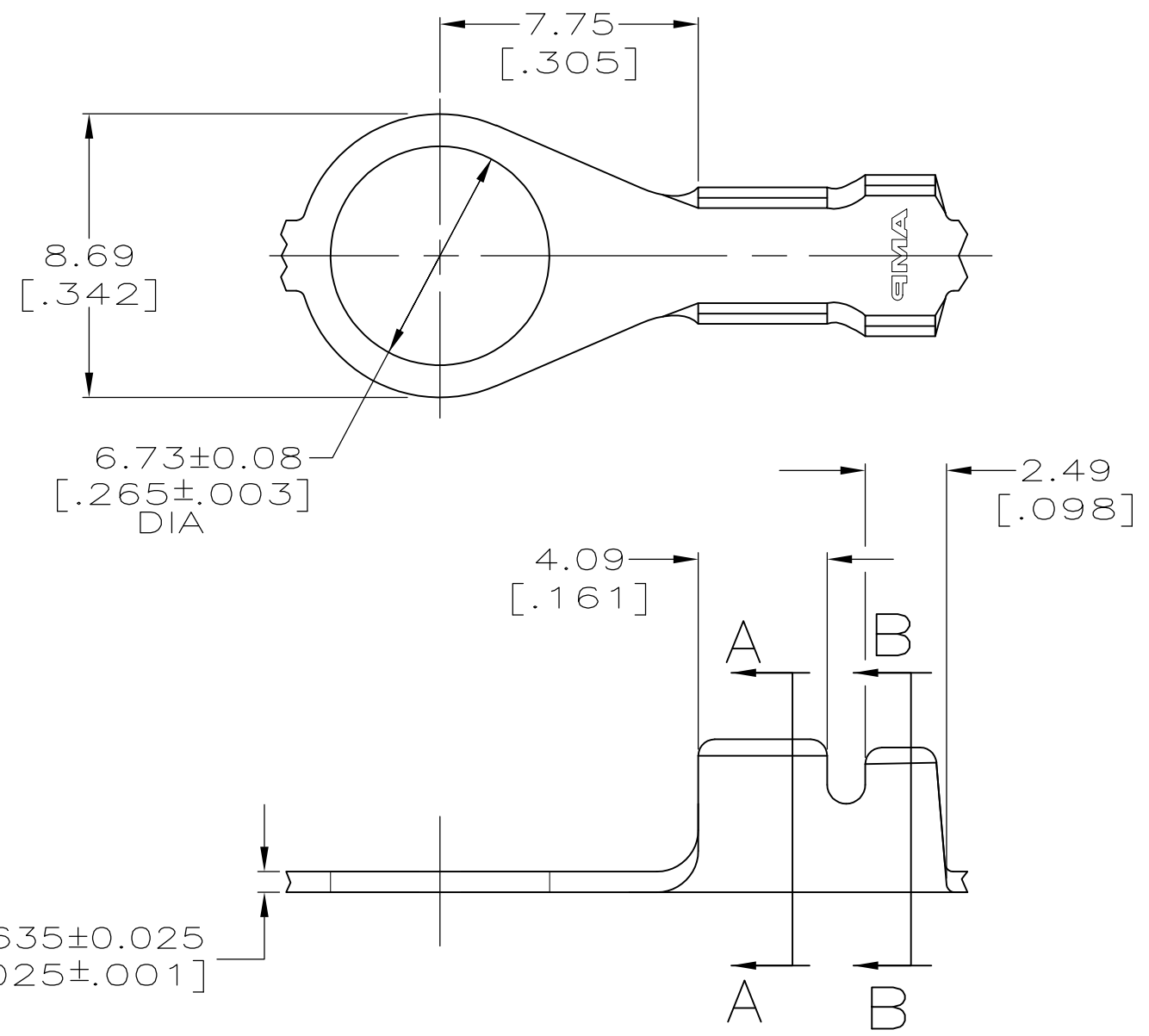


THIS DRAWING IS UNPUBLISHED. RELEASED FOR PUBLICATION
 © COPYRIGHT BY TYCO ELECTRONICS CORPORATION. ALL INTERNATIONAL RIGHTS RESERVED.

LOC	DIST	REVISIONS					
AF	50	P	LTR	DESCRIPTION	DATE	DWN	APVD
		V		REVISED PER ECR-08-008189	24NOV08	HMR	DD

1 CONTINUOUS STRIP ON REEL.



0.635±0.025
 [.025±.001]

2.54-3.56 DIA [.100-.140]	[18-14] AWG	60625-1
INSULATION RANGE	WIRE RANGE	PART NO

THIS DRAWING IS A CONTROLLED DOCUMENT.		DWN 07/APR/95 PHILLIP M FORTNEY	Tyco Electronics Corporation Harrisburg, PA 17105-3608	
DIMENSIONS: mm [INCHES]		CHK 07/APR/95 JEFF R RUTH	NAME	
TOLERANCES UNLESS OTHERWISE SPECIFIED:		APVD 07/APR/95 GARY YETTER	RING	
<ul style="list-style-type: none"> 0 PLC ± - 1 PLC ± - 2 PLC ± 0.25 [.010] 3 PLC ± - 4 PLC ± - ANGLES ± - 		PRODUCT SPEC	SIZE	CAGE CODE
MATERIAL	FINISH	APPLICATION SPEC	DRAWING NO	
082 BRASS	TIN PLATING	WEIGHT -	A3 00779 C-60625	
CUSTOMER DRAWING			RESTRICTED TO	
SCALE 5:1			SHEET 1 OF 1	REV V

Mouser Electronics

Authorized Distributor

Click to View Pricing, Inventory, Delivery & Lifecycle Information:

[TE Connectivity:](#)

[60625-1 \(Cut Strip\)](#)