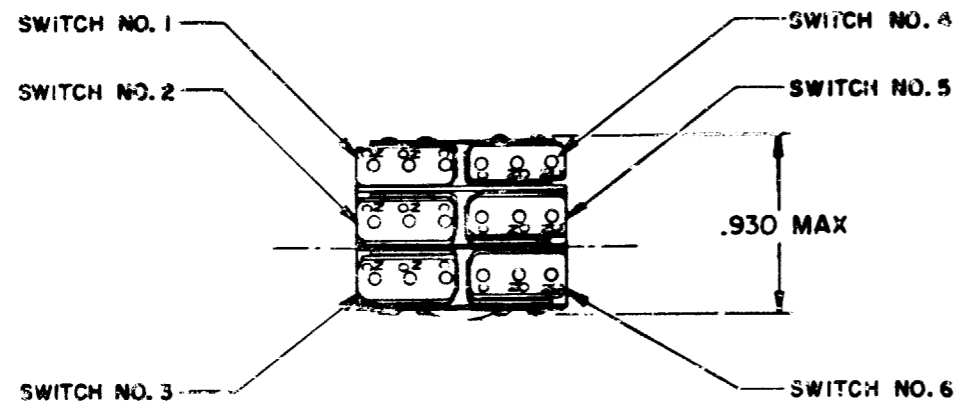
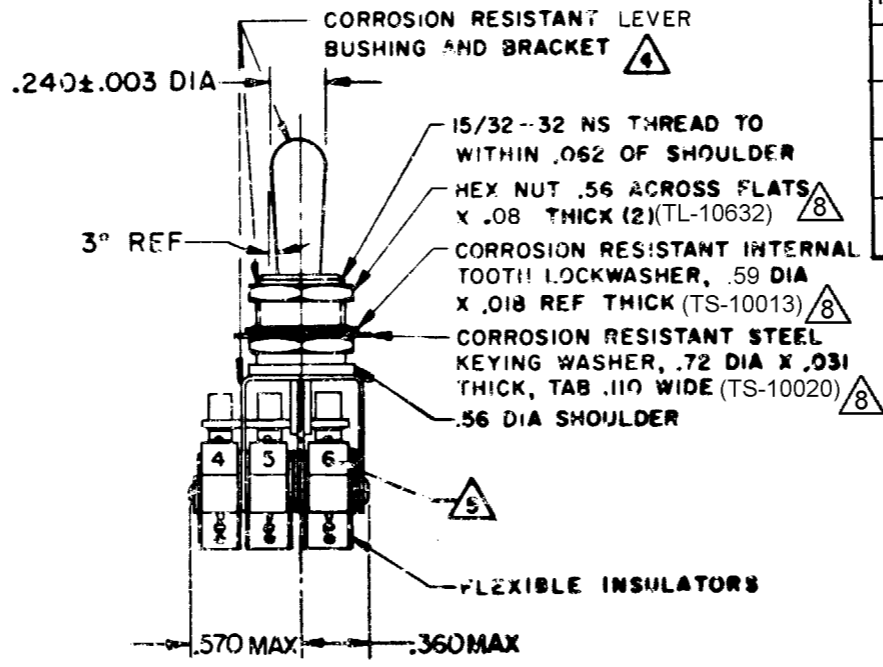
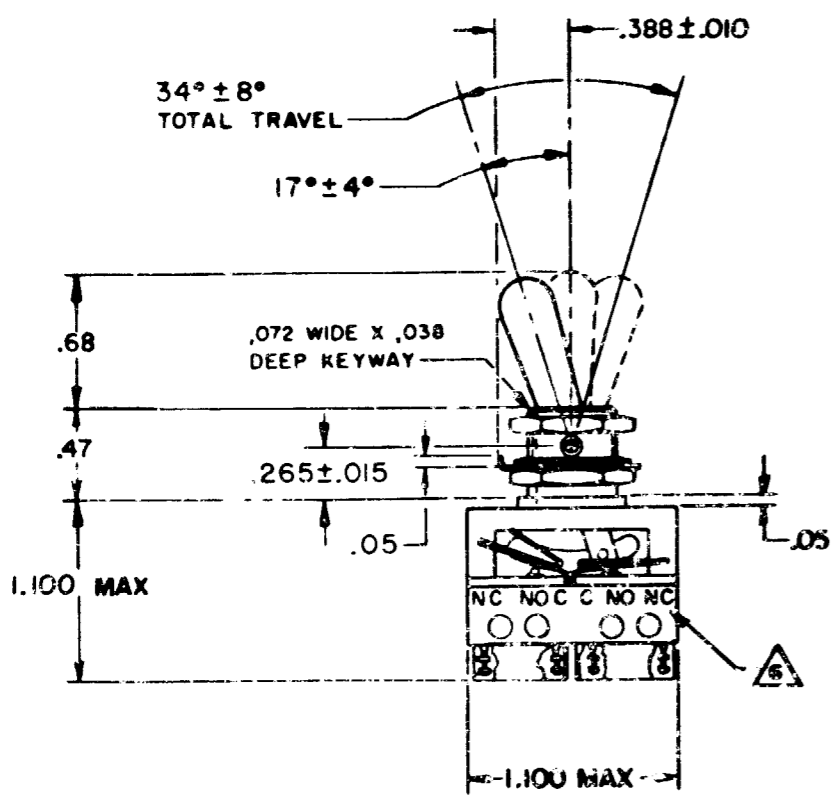


**ASSEMBLY-  
 TOGGLE SWITCH**

CATALOG LISTING  
**66AT11 SERIES**  
**CHART 1**

RELEASE NO.	CATALOG LISTING	KEYWAY POSITION		CENTER POSITION		OPPOSITE KEYWAY POSITION	
		C-NC	C-NO	C-NC	C-NO	C-NC	C-NO
PR-4525	66AT11-1	1,2,8,3	4,5,8,6	NONE	ALL	4,5,8,6	1,2,8,3
PR-3327	66AT11-3	1,2,8,3	4,5,8,6	NONE	NONE	4,5,8,6	1,2,8,3
PR-15577	66AT11-5	1,2,8,3*	4,5,8,6*	NONE	ALL	4,5,8,6	1,2,8,3
PR-3296	66AT11-7	1,2,8,3*	4,5,8,6*	NONE	ALL	4,5,8,6*	1,2,8,3*
ETS	66AT11-514	1,2,8,3	4,5,8,6	NONE	ALL	4,5,8,6*	1,2,8,3*

\* ASTERISK DENOTES MOMENTARY POSITION



- NOTES:
- 1 - UNIT INCLUDES "SX" TYPE BASIC SWITCH (6) (MEETS REQUIREMENTS OF MIL-S-6743)
  - 2 - SWITCHES DO NOT NECESSARILY OPERATE SIMULTANEOUSLY
  - 3 - TERMINALS ARE PLATED FOR SOLDERING
  - 4 - DULL FINISH ON LEVER AND BUSHING
  - 5 - SWITCH NUMBERS MARKED ON END OF BASIC SWITCHES
  - 6 - TERMINAL DESIGNATION MARKED ON BOTH SIDES OF UNIT
  - 7 - WHEN LEVER IS MOVED OUT OF A MAINTAINED POSITION, IT WILL RETURN OF ITS OWN ACCORD TO THE ORIGINAL POSITION OR THE ADJACENT POSITION. THE TOGGLE LEVER MAY HANG UP BETWEEN THE TWO ADJACENT POSITIONS ONLY BY EXERTING CONSIDERABLE EFFORT
  - 8 - HARDWARE FURNISHED ASSEMBLED WITH SWITCH OR IN PACKET 15PA313-AT PER MIL-PRF-8805
  - 9 - REPLACEMENT MOUNTING HARDWARE PACKET 15PA313-AT

THIS DRAWING COVERS A PROPRIETARY ITEM AND IS THE PROPERTY OF MICRO SWITCH, A DIVISION OF MINNEAPOLIS-HONEYWELL REGULATOR CO. THIS DRAWING IS NOT TO BE COPIED OR USED WITHOUT THE APPROVAL OF MICRO SWITCH.

CHARACTERISTICS	ELECTRICAL DATA	SCALE FULL
OPERATING FORCE FORCE TO MOVE LEVER FROM ONE POSITION TO ANY ADJACENT POSITION 1-5 LB APPLIED .125 ± .030 BELOW TOP OF LEVER	CONTACT ARRANGEMENT S P D T (6)	DO NOT SCALE PRINT
		UNLESS OTHERWISE NOTED DIMENSIONS ARE IN INCHES TOLERANCES ARE: ONE PLACE (.0) ± .030 TWO PLACE (.00) ± .015 THREE PLACE (.000) ± .005 ANGLES ±
		WEIGHT .08 LB EST

LOAD	ELECTRICAL RATINGS		
	SEA LEVEL		50,000 FT
	28 Vdc (AMPERES)	115 Vac, 60 Hz (AMPERES)	28 Vdc (AMPERES)
RESISTIVE	7	7	4
INDUCTIVE	4	7	2.5

CATALOG LISTING  
**66AT11 SERIES CHART 1**  
 PAGE 1 OF 1  
 ISSUE 14  
 REVISIONS:  
 A 203886  
 C S L 12 SEP 01  
 B 204763  
 G J W 25 JAN 02  
 CHECKED: RAO  
 DRAWN: RASTER  
 R C R 12 APR 73  
 10-90370-003

# Mouser Electronics

Authorized Distributor

Click to View Pricing, Inventory, Delivery & Lifecycle Information:

[Honeywell:](#)

[66AT11-514](#) [66AT11-514G](#)