

10VR6

SAFETY ORGANIZATION(S):

THIS FILTER HAS BEEN FORMALLY RECOGNIZED, CERTIFIED OR APPROVED BY THE LISTED AGENCY. THEREFORE, ALL TEST/REQUIREMENTS SPECIFIED IN THE LATEST REVISION OF THE FOLLOWING AGENCY STANDARDS HAVE BEEN MET.

UL RECOGNIZED  
CSA CERTIFIED  
VDE APPROVED

UL 1283  
CSA 22.2, NO.0,0.4,8  
VDE 565-3

OPERATING SPECIFICATIONS:

LINE VOLTAGE/CURRENT: 10 AMP, 120/250 VAC  
8 AMP./40°C, 250 VAC

LINE FREQUENCY: 50-60Hz

MAX. LEAKAGE CURRENT, EACH:  
LINE TO GROUND, .5 mA AT 120V 60Hz  
.83 mA at 250V 50Hz

OPERATING AMBIENT TEMP. RANGE, -10°C TO +40°C @ RATED CURRENT,  $I_r$

IN AN AMBIENT,  $T_a$ , HIGHER THAN 40°C, THE MAXIMUM OPERATING CURRENT,  $I_o$ , IS AS FOLLOWS:

$$I_o = I_r \sqrt{\frac{85 - T_a}{45}}$$

RELIABILITY SPECIFICATIONS:

STORAGE TEMPERATURE: -40°C TO +85°C  
HUMIDITY: 21 DAYS @ 40°C 95% RH  
CURRENT OVERLOAD TEST: 6 TIMES RATED CURRENT FOR 8 SECONDS

TEST SPECIFICATIONS:

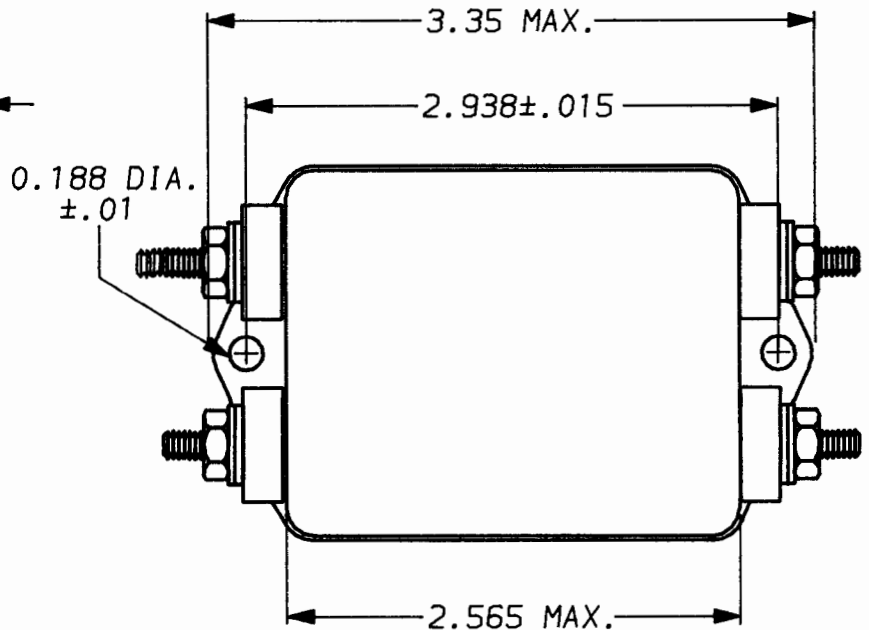
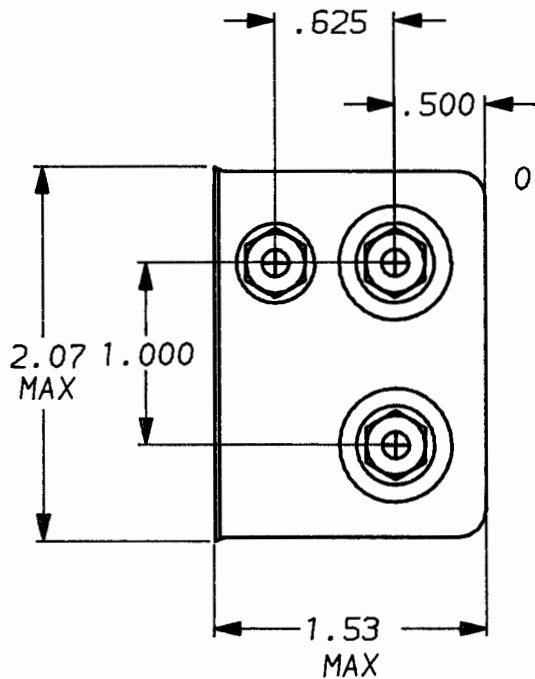
INDUCTANCE: .99 mH NOMINAL  
CAPACITANCE: (MEASURED @ 1 KHz, 0.25VAC MAX., 25°C±1°C)  
LINE TO GROUND: .011µF ±20%  
LINE TO LINE: .303µF ±20%  
DISCHARGE RESISTOR: 680 KΩ  
LINE/GROUND AND LINE/LINE: 6000Ω (MIN) AT 100VDC  
INSULATION RESISTANCE: 20°C AND 50% RH

RECOMMENDED RECEIVING INSPECTION HIPOT:

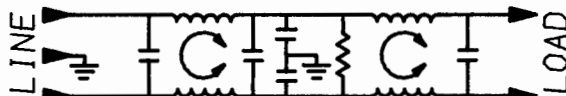
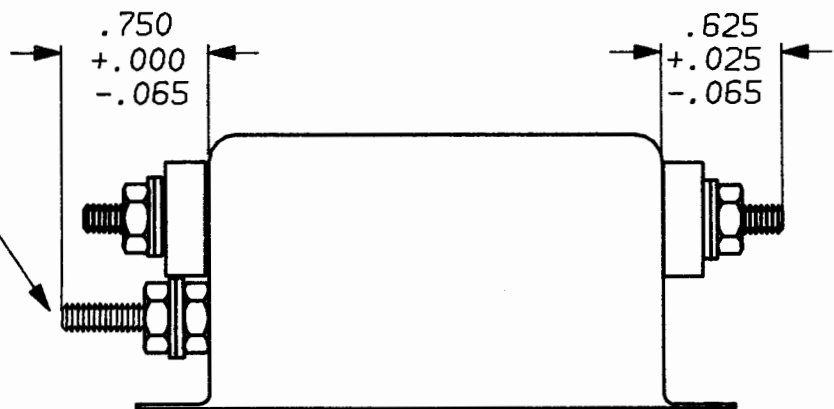
LINES TO GROUND: 2250 VDC FOR 1 MINUTE  
LINE TO LINE: 1450 VDC FOR 1 MINUTE

FILTER APPROVAL:

THE BEST WAY TO SELECT AND QUALIFY A FILTER IS FOR YOUR ENGINEERING TO TEST THE UNIT IN YOUR EQUIPMENT.



#8-32 THREADS  
(5 PLACES)  
20 IN/LBS. MAX. TORQUE



50Ω - 50Ω (MINIMUM) INSERTION LOSS											
FREQUENCY MHz	.15	.5	.6	1	2	5	10	20	30	/	/
COMMON dB	14	52	54	62	63	65	65	65	65	/	/
DIFF. dB	3	3	3	40	65	65	65	60	60	/	/

UNLESS OTHERWISE SPECIFIED,  
TOLERANCE TO BE ±.025  
MATERIAL & FINISH: AS SUPPLIED  
This document is proprietary to CORCOM INC. and is not to be reproduced nor used for manufacturing purposes except on CORCOM'S prior written consent.

**corcom**  
LIBERTYVILLE, IL 60048  
**POWER LINE FILTER**  
DATE: 9-9-93 CATALOG NO.  
APPRVD: TAM **10VR6**  
CAD NO. **10VR6.05**

# Mouser Electronics

Authorized Distributor

Click to View Pricing, Inventory, Delivery & Lifecycle Information:

[TE Connectivity:](#)

[10VR6](#)