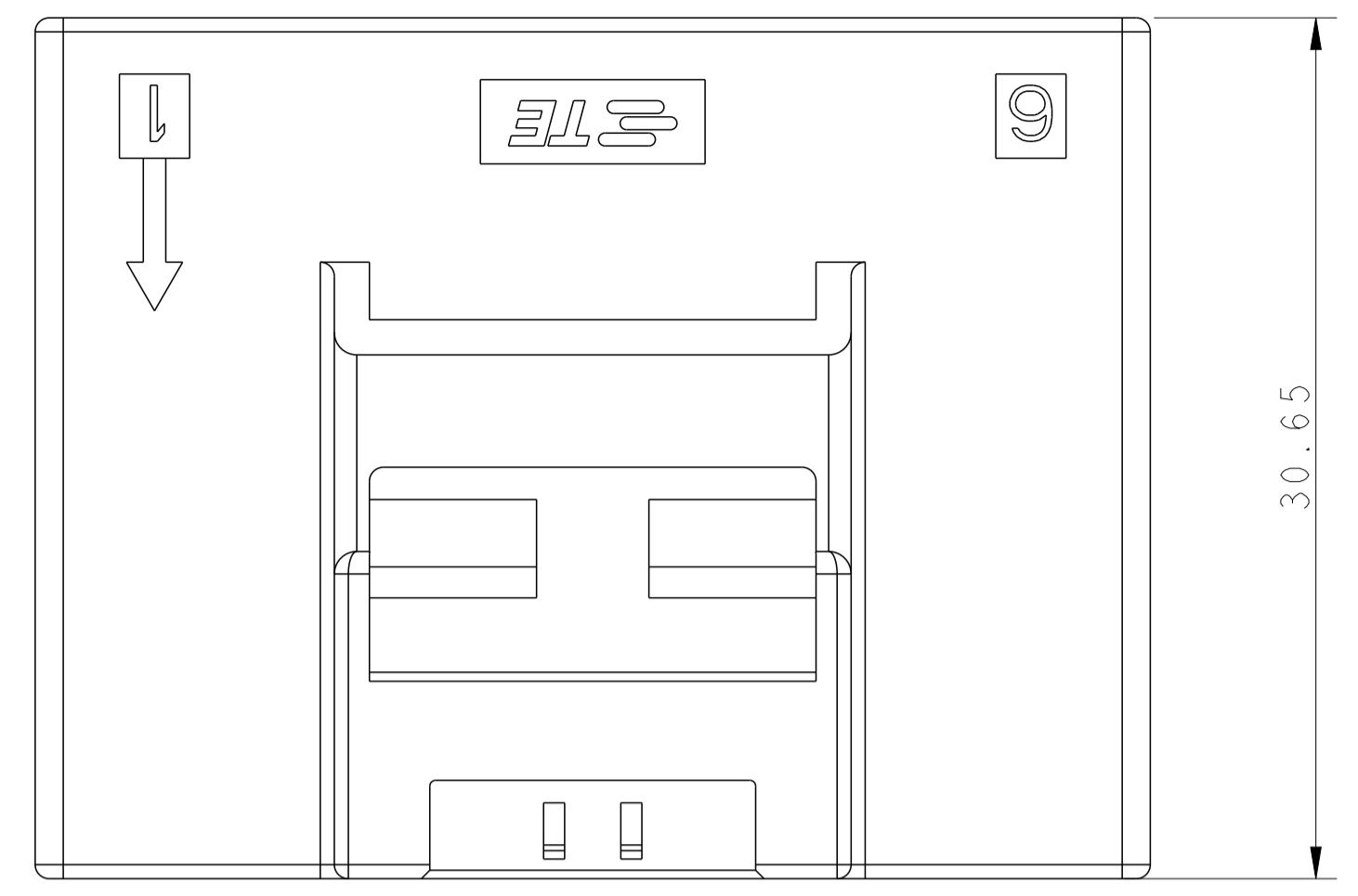
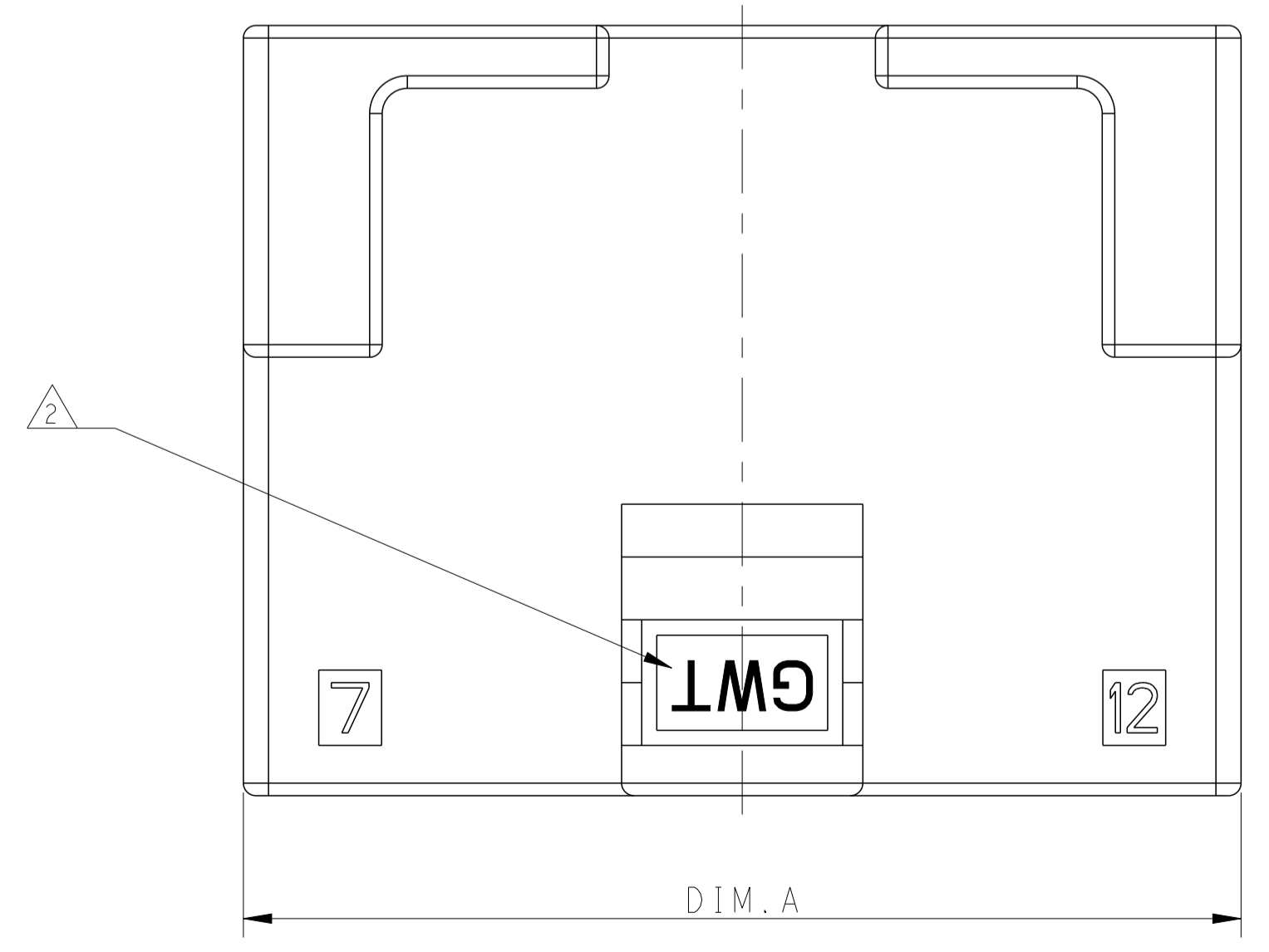
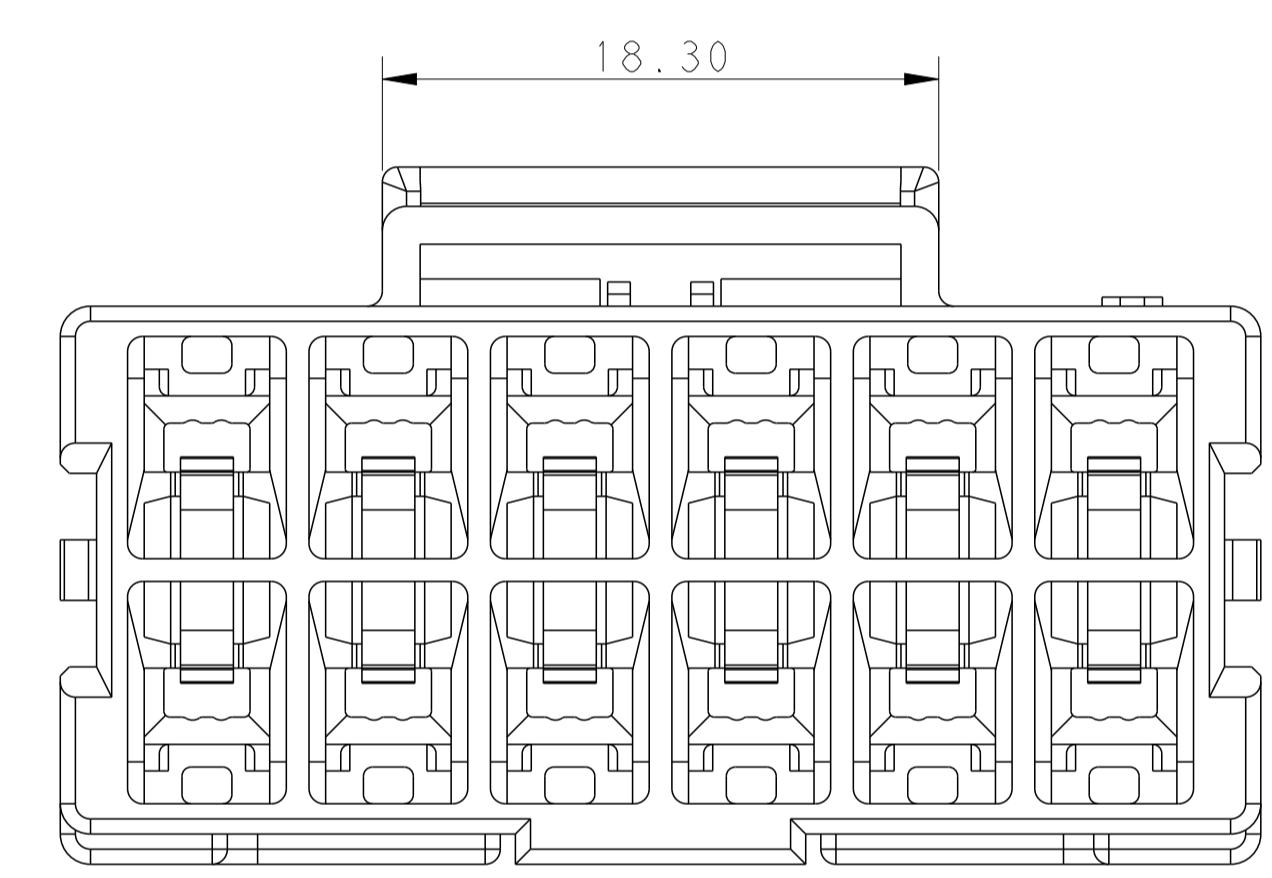
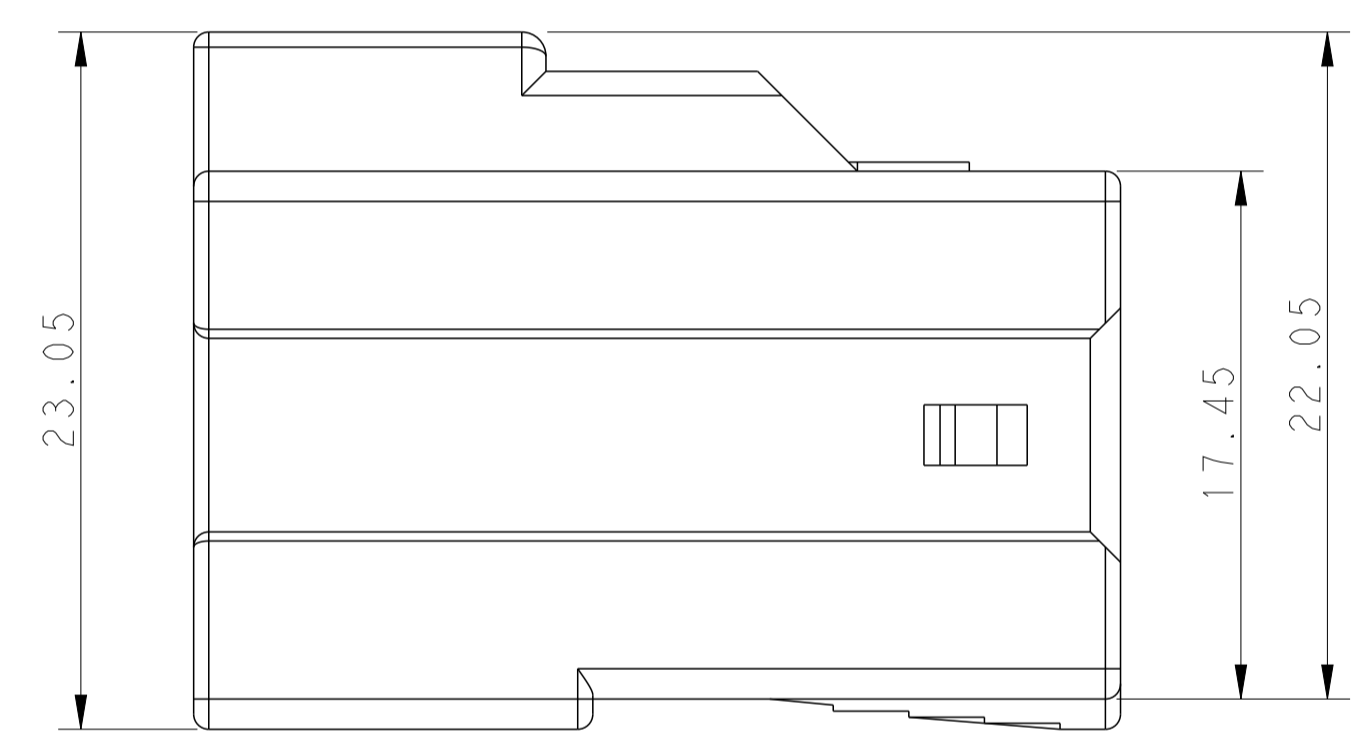
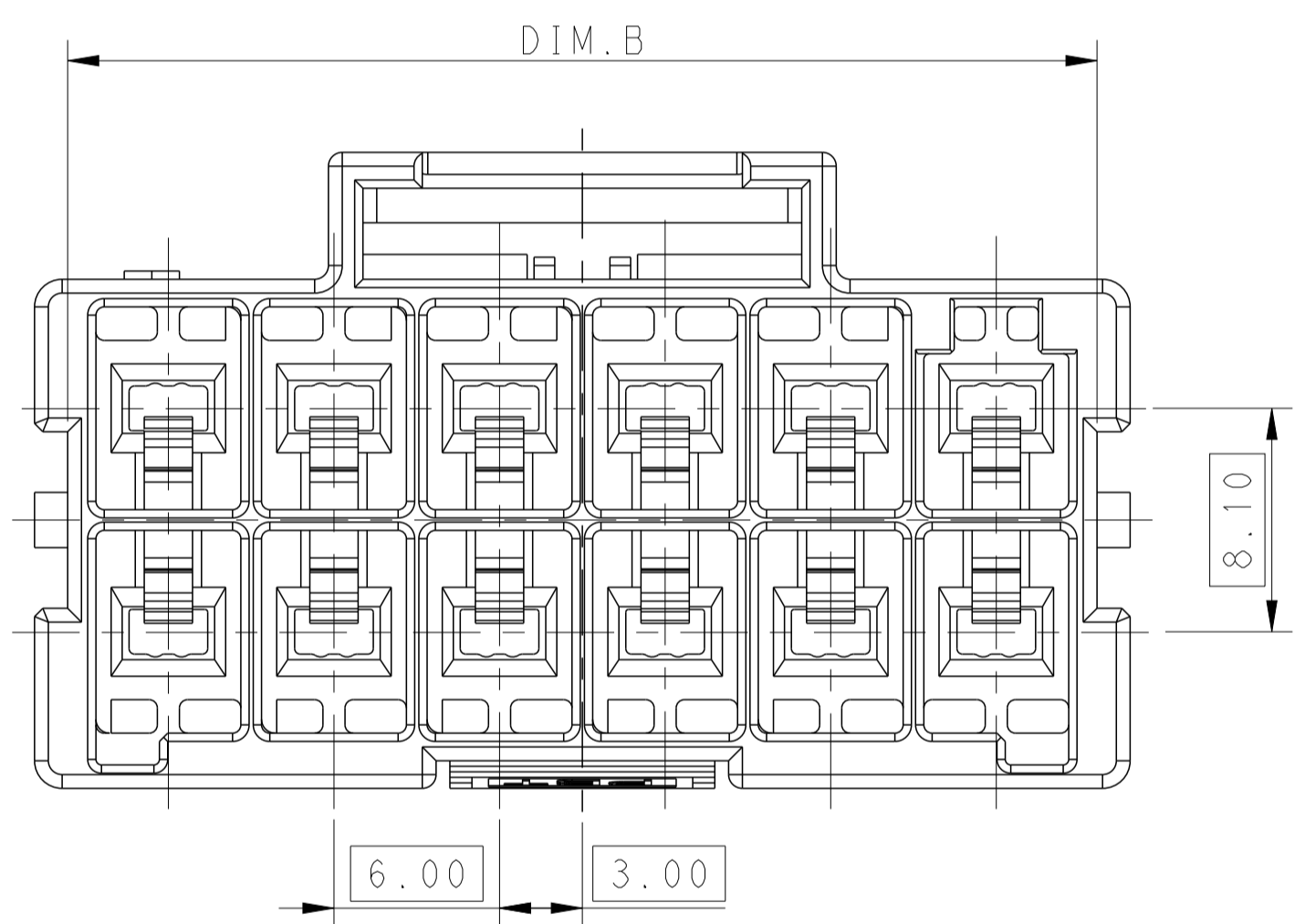


LOC		DIST		REVISIONS			
P	LTN	DESCRIPTION	DATE	DWN	APVD		
B		REVISED PER ECR-16-003314	18JUL2016	BW	GJ		



POS.	DIM. A	DIM. B
2*6	39.70	37.30
2*5	33.70	31.30
2*4	27.70	25.30
2*3	21.70	19.30



NOTE
 1. MATERIAL:
 LEVEL A: PA6 GLASS FILLED, COMPLY WITH GLOW WIRE REQUIREMENTS FOR PARTS OF NON-METALLIC MATERIAL SUPPORTING A CURRENT-CARRYING CONNECTION DETAILED IN IEC 60335-1, SECTION 30 (GWT), UL 94V-0
 LEVEL B: PBT GLASS FILLED, HOT WIRE IGNITION (HWI) VERSION ARE MOLDED IN A RESIN THAT COMPLIES WITH TE HOT WIRE IGNITION TEST 109-32026 AND ARE RECOMMENDED FOR USE WITH HWI HOUSINGS THAT ALSO COMPLY, UL 94V-0

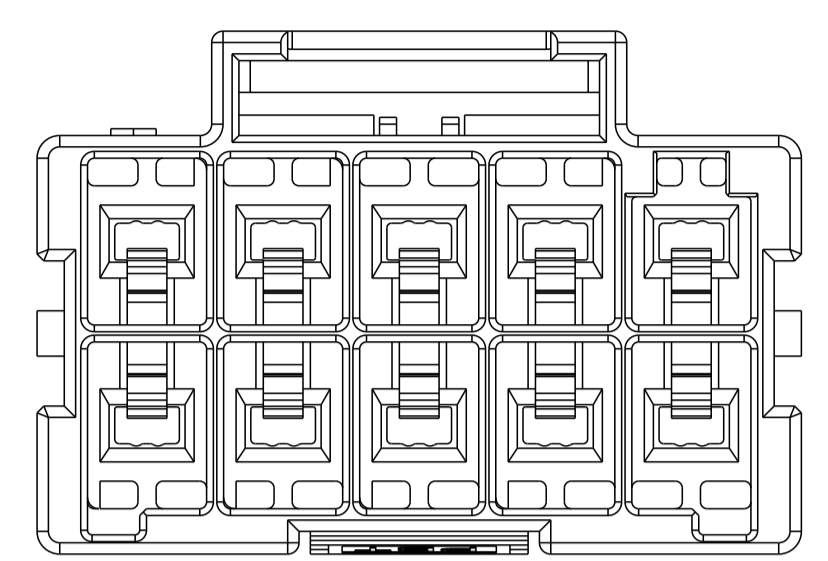
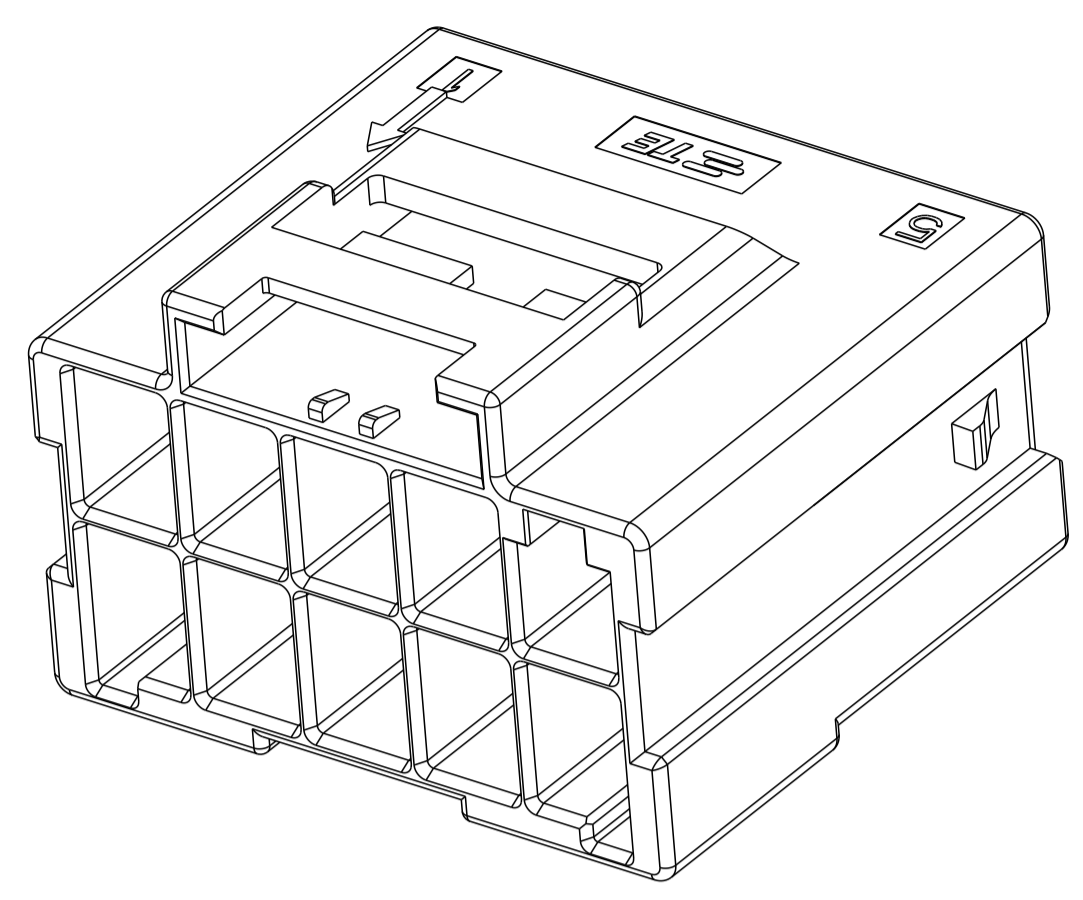
△. MATERIAL MARK:
 LEVEL A:GWT,LEVEL B:HWT
 3. APPLICABLE CONTACT P/N
 TAB CONTACT:1971238/1971780/82/84/86/88-*,2238067-*

4. MATING CONN, P/N
 PLUG HSG: *-2232266-
 TPA (LOCK PLATE): *-1971778-*

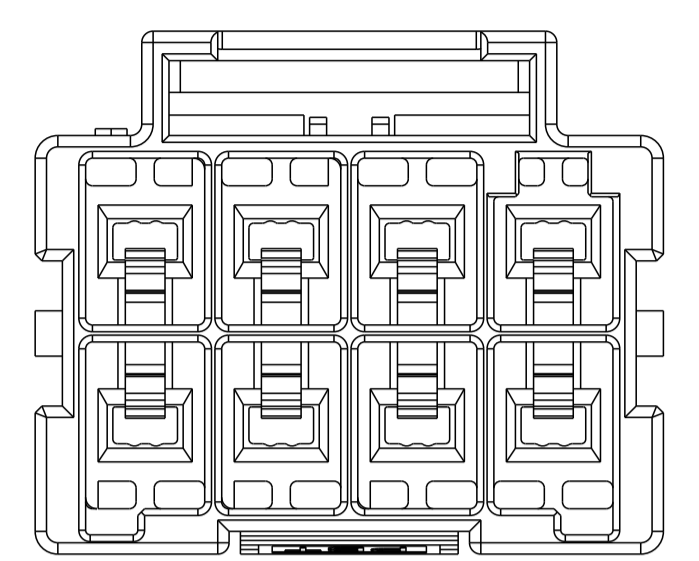
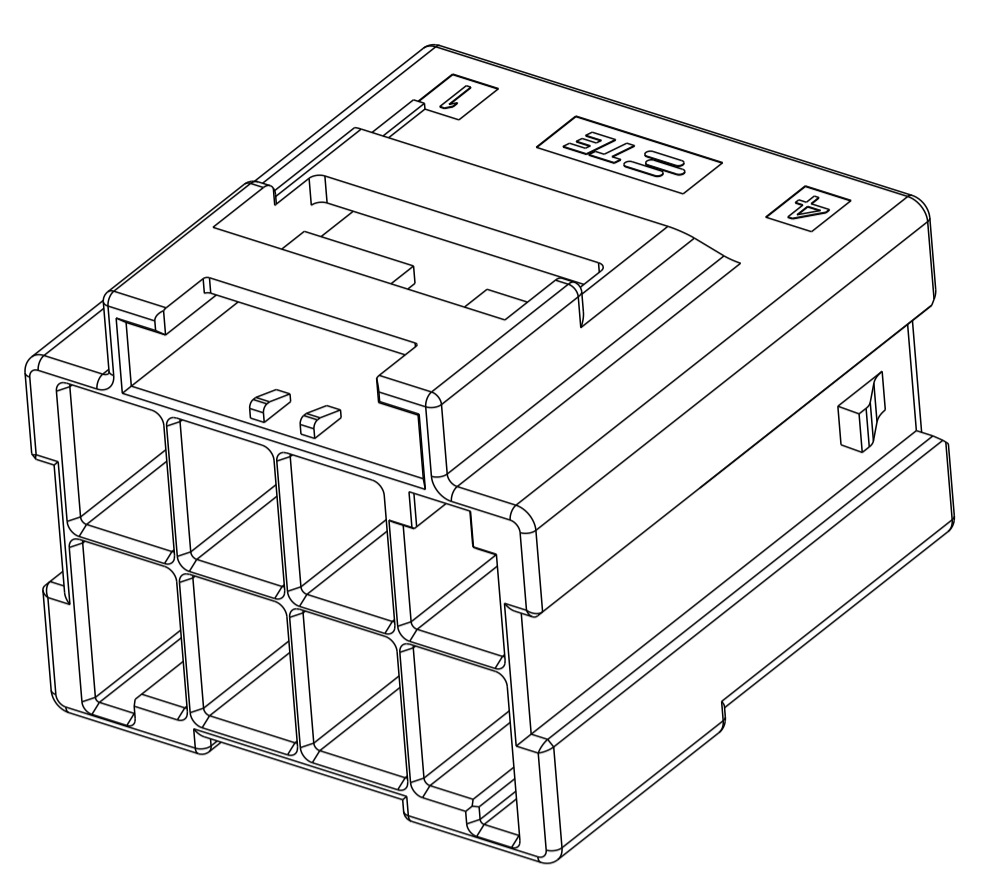
5. This product has not completed validation testing.

THIS DRAWING IS A CONTROLLED DOCUMENT.		DWN: TOMMY WU 26MAR2013	TE Connectivity
DIMENSIONS: mm		CHK: HAPYE WU 26MAR2013	
TOLERANCES UNLESS OTHERWISE SPECIFIED:		APVD: YUHONG MAO 26MAR2013	NAME: CAP HOUSING, FREE HANGING, DOUBLE ROW POWER TRIPLE LOCK
0 PLC	±	PRODUCT SPEC	SIZE: CAGE CODE DRAWING NO
1 PLC	±0.35	108-106118	RESTRICTED TO
2 PLC	±0.25	APPLICATION SPEC	A1 00779C=2232359
3 PLC	±	114-106118	SCALE - SHEET 1 OF 2 REV B
4 PLC	±	WEIGHT -	
ANGLES	±	Customer Drawing	

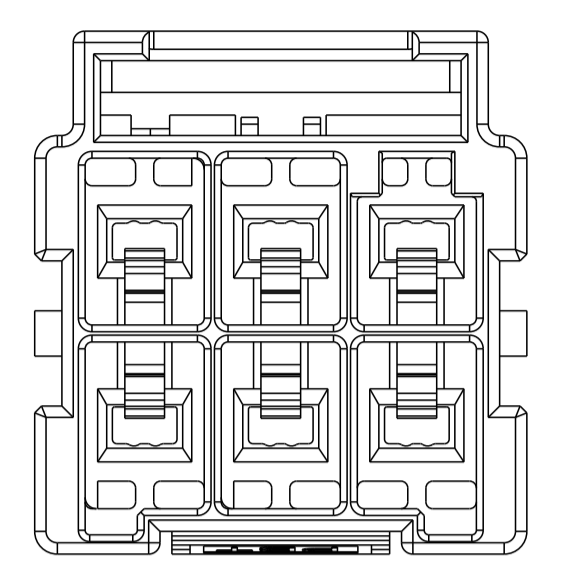
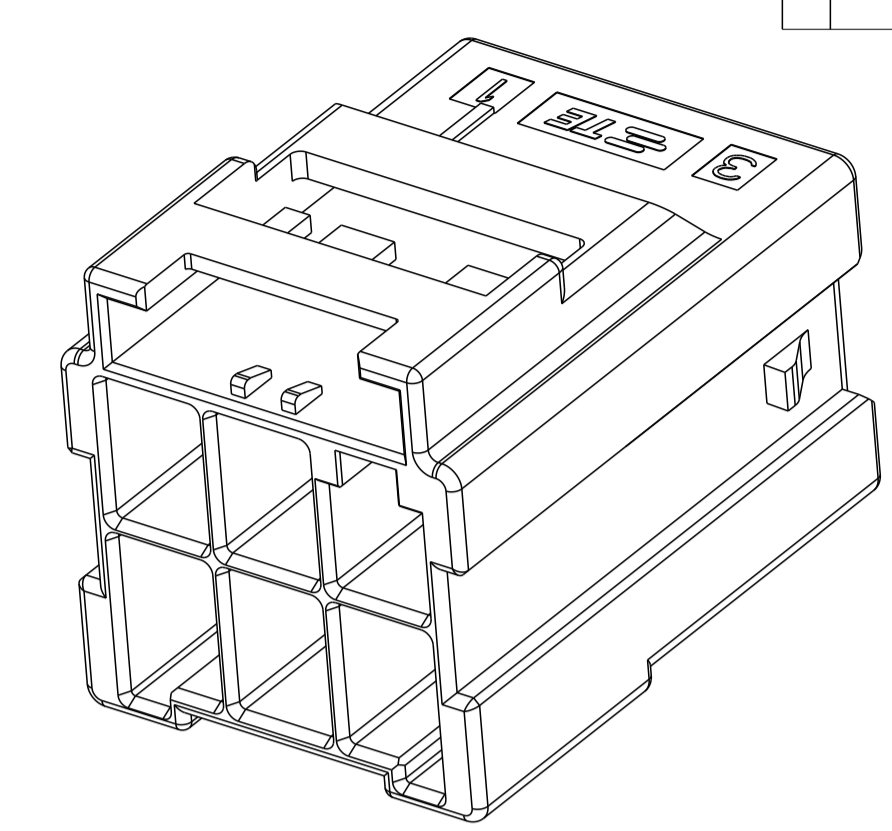
LOC		DIST		REVISIONS			
P	LTN	DESCRIPTION	DATE	OWN	APVD		
-	-	SEE SHEET 1	-	-	-		



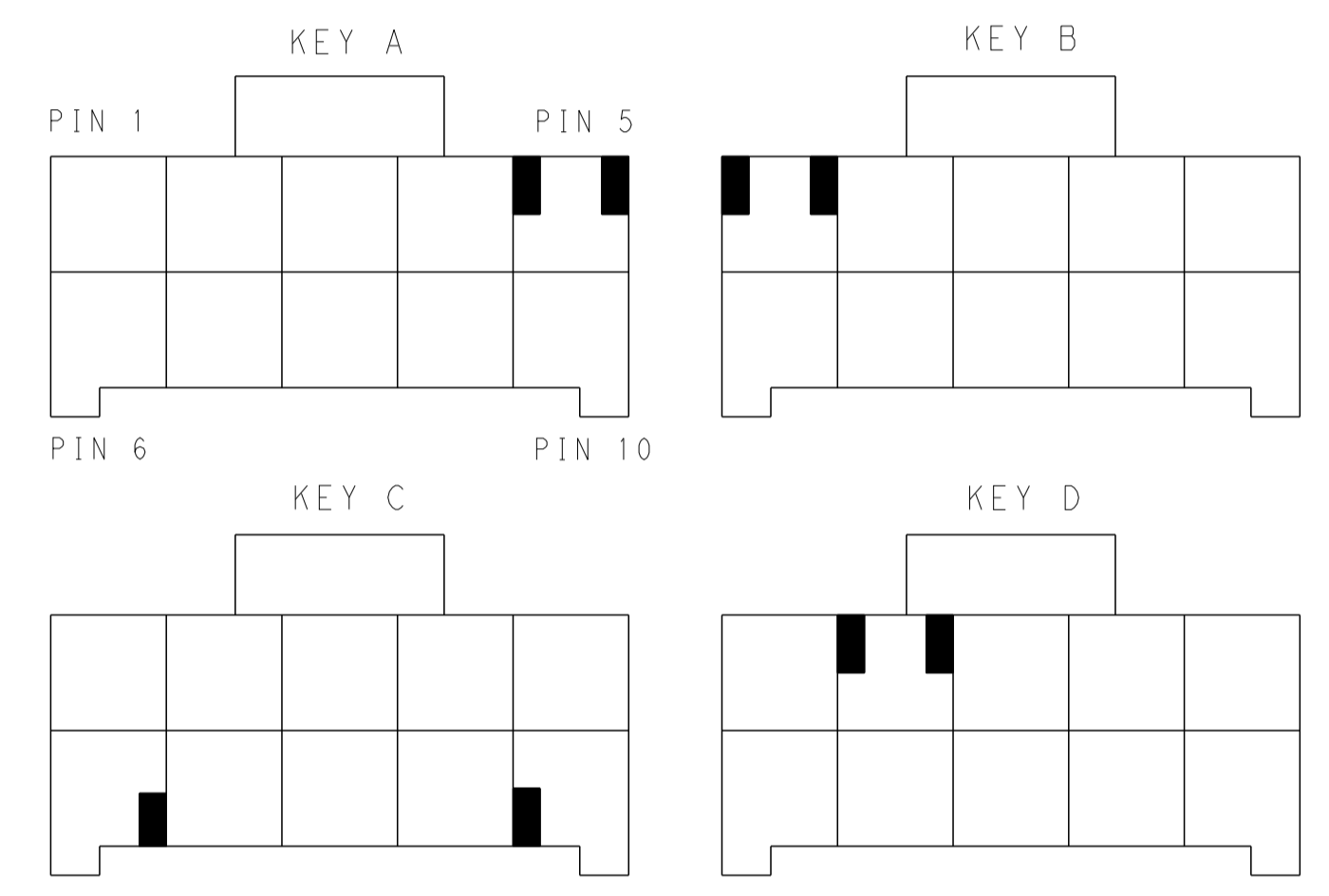
2*5 POSITIONS



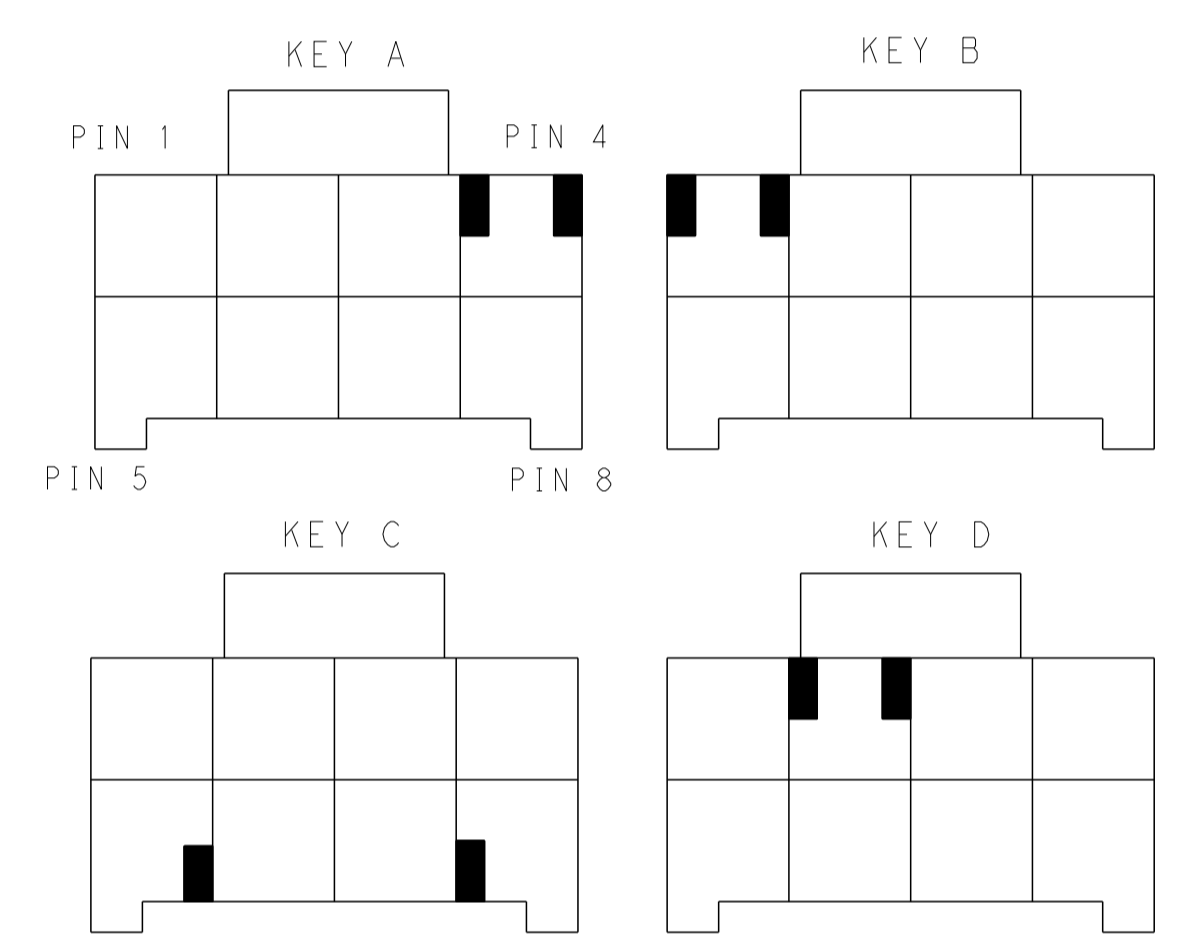
2*4 POSITIONS



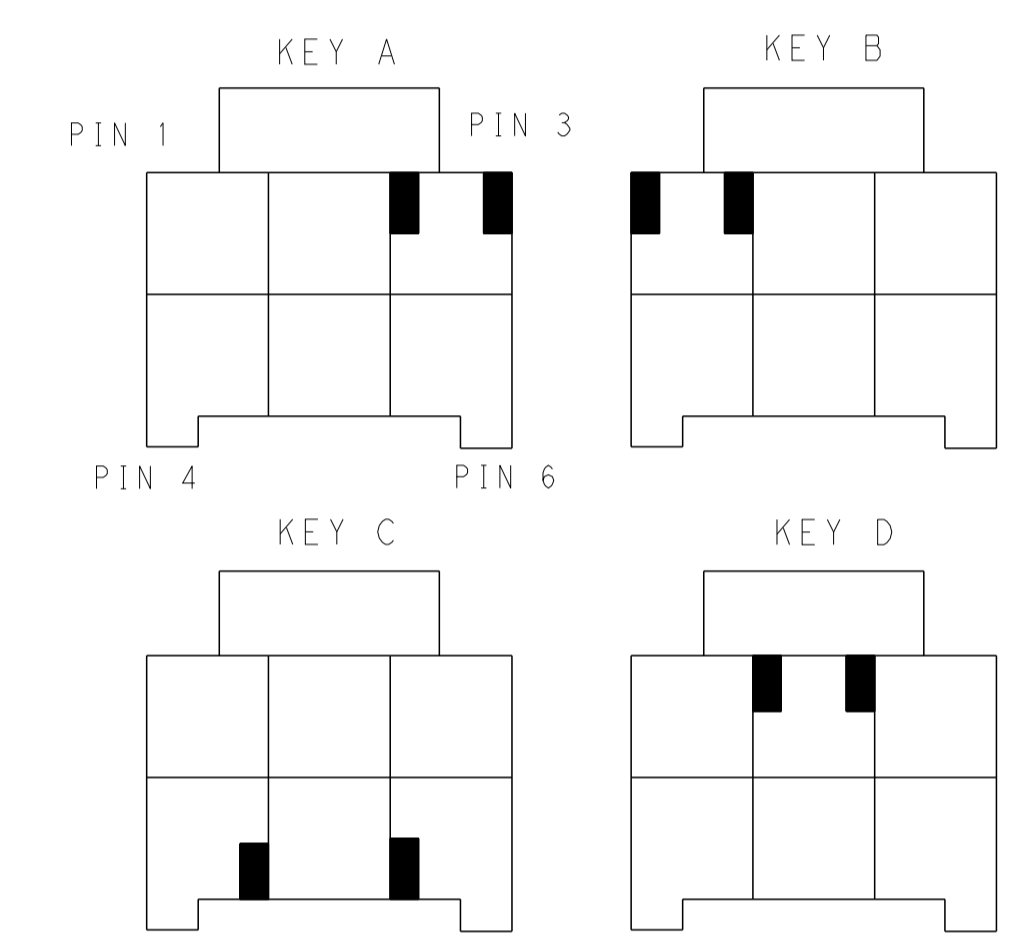
2*3 POSITIONS



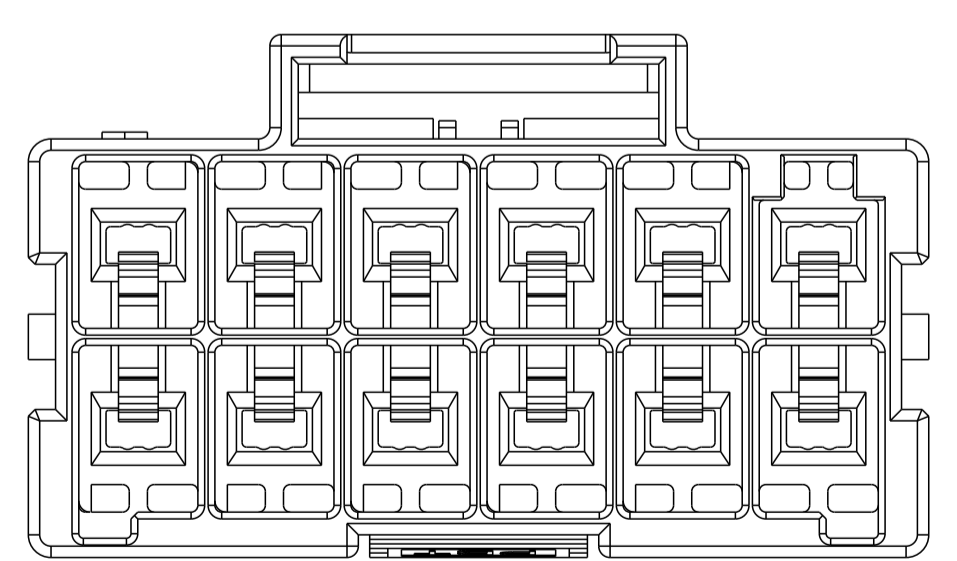
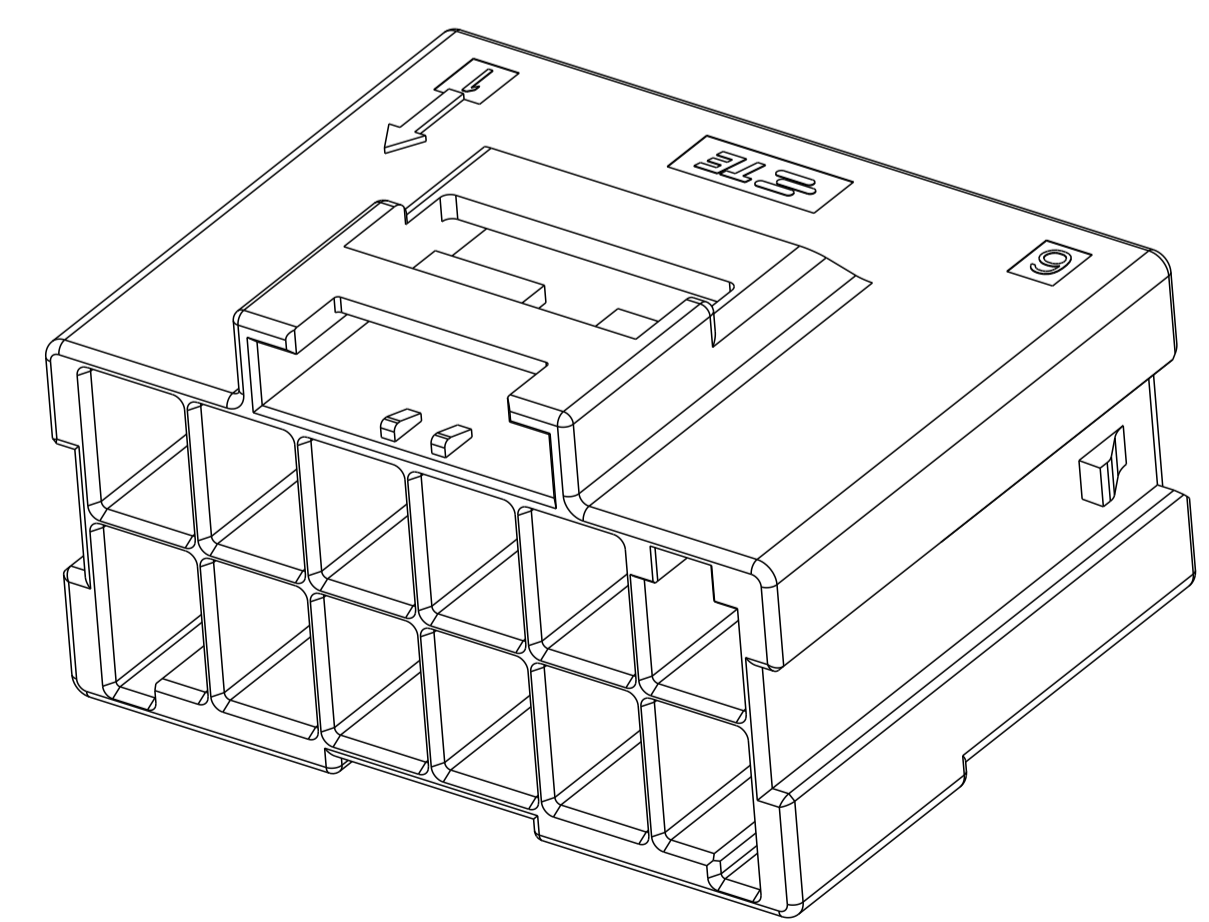
KEYING FOR 2*5 POS.



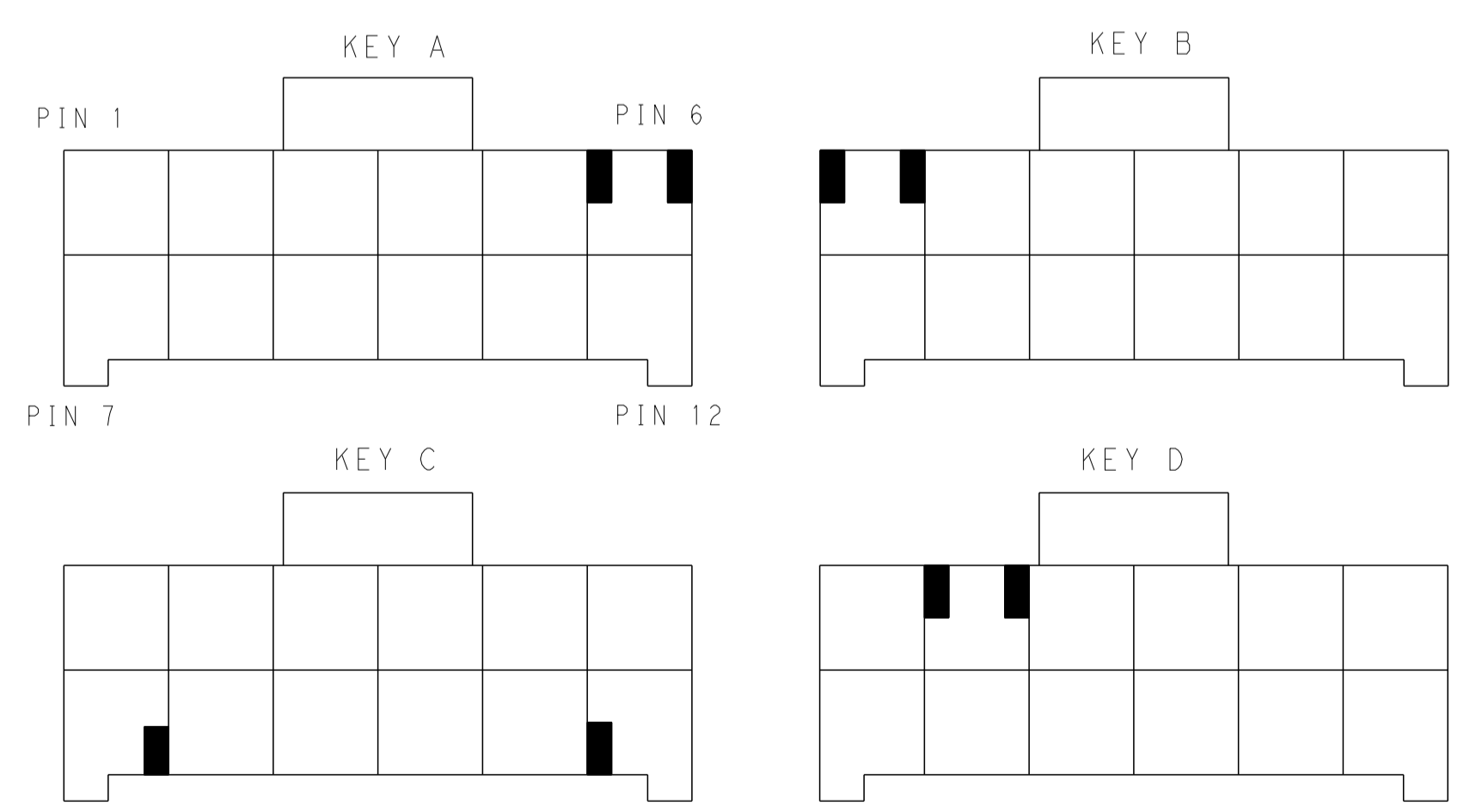
KEYING FOR 2*4 POS.



KEYING FOR 2*3 POS.



2*6 POSITIONS



KEYING FOR 2*6 POS.

POS.	MATERIAL	COLOR	KEY	P/N	POS.	MATERIAL	COLOR	KEY	P/N
2*4	LEVEL A	DARK GREY	KEY A	5-2232359-4	2*6	LEVEL A	DARK GREY	KEY A	5-2232359-6
		BROWN	KEY B	6-2232359-4			BROWN	KEY B	6-2232359-6
		GREEN	KEY C	7-2232359-4			GREEN	KEY C	7-2232359-6
		ORANGE	KEY D	8-2232359-4			ORANGE	KEY D	8-2232359-6
2*3	LEVEL A	DARK GREY	KEY A	5-2232359-3	2*5	LEVEL A	DARK GREY	KEY A	5-2232359-5
		BROWN	KEY B	6-2232359-3			BROWN	KEY B	6-2232359-5
		GREEN	KEY C	7-2232359-3			GREEN	KEY C	7-2232359-5
		ORANGE	KEY D	8-2232359-3			ORANGE	KEY D	8-2232359-5

THIS DRAWING IS A CONTROLLED DOCUMENT. DIMENSIONS: mm. TOLERANCES UNLESS OTHERWISE SPECIFIED: 0 PLC ±0.35, 1 PLC ±0.25, 2 PLC ±0.25, 3 PLC ±0.25, 4 PLC ±0.25, ANGLES ±0.5°. MATERIAL: -. FINISH: -. THIS DRAWING IS A CONTROLLED DOCUMENT. DWG: TOMMY_WU 26MAR2013, CHK: HAPYE_WU 26MAR2013, APVD: YUHONG_MAO 26MAR2013. PRODUCT SPEC: 108-106118, APPLICATION SPEC: 114-106118, WEIGHT: -. Customer Drawing. SCALE: -. SHEET 2 OF 2. REV B.

STE TE Connectivity
CAP HOUSING, FREE HANGING, DOUBLE ROW POWER TRIPLE LOCK

SIZE: A1, CAGE CODE: 00779, DRAWING NO: 2232359

Mouser Electronics

Authorized Distributor

Click to View Pricing, Inventory, Delivery & Lifecycle Information:

[TE Connectivity:](#)

[5-2232359-4](#)