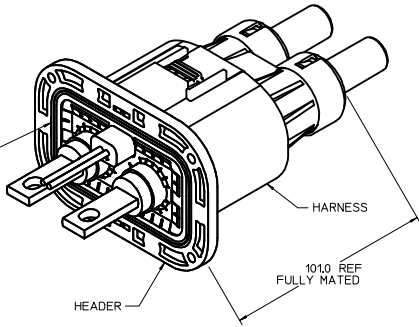
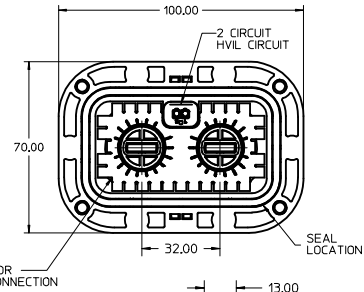
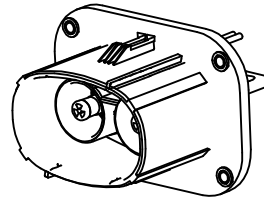


PART NUMBER	KEYING OPTION
171467-1001	A
171467-1002	B

MAIN PANEL SEAL MUST BE FULLY SEATED IN SEAL CAVITY BEFORE ATTACHMENT TO PANEL

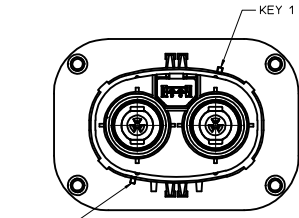


HEADER MATED TO HARNESS

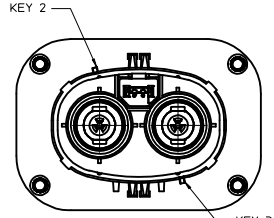


NOTES:

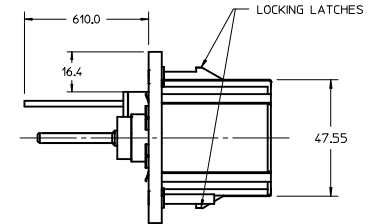
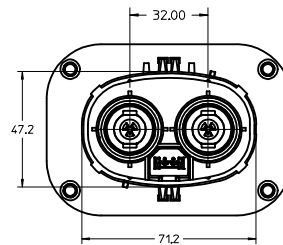
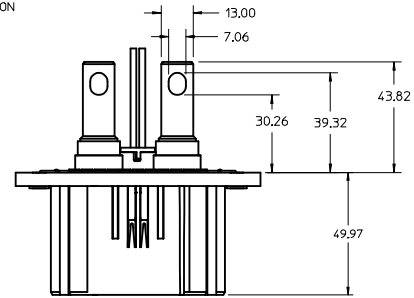
- MATERIAL:  
MAIN HOUSING: POLYESTER 94V-0 (OPTIONAL UV STABILIZED)  
COLOR: ORANGE  
POWER TERMINALS: COPPER  
HVIL TERMINALS: COPPER ALLOY
- FINISH:  
POWER TERMINALS: SILVER OVER NICKEL PLATING  
HVIL TERMINALS: TIN OVER NICKEL PLATING
- WIRE FOR HVIL TERMINALS: 18 GAGE TXL AUTOMOTIVE GRADE STRANDED WIRE
- MATES WITH HARNESS ASSEMBLY SERIES 171466-1\*\*\*
- ATTACH HEADER WITH SCREWS TO PANEL PER MOLEX APPLICATION SPEC
- PRODUCT SPECIFICATION: PS-171467-001
- APPLICATION SPECIFICATION: AS-171467-001
- PACKAGING SPECIFICATION: PK-171467-999
- SHIELD MATING SURFACE WITHIN THE KEEP OUT ZONE MUST BE A CLEAN SURFACE WITH TIN OR NICKEL PLATING
- BUS BAR AND MOUNTING HARDWARE TO BE OVERALL TIN PLATED



OPTION A  
KEYING 1-4  
MOLEX STANDARD  
KEYIN VERSION



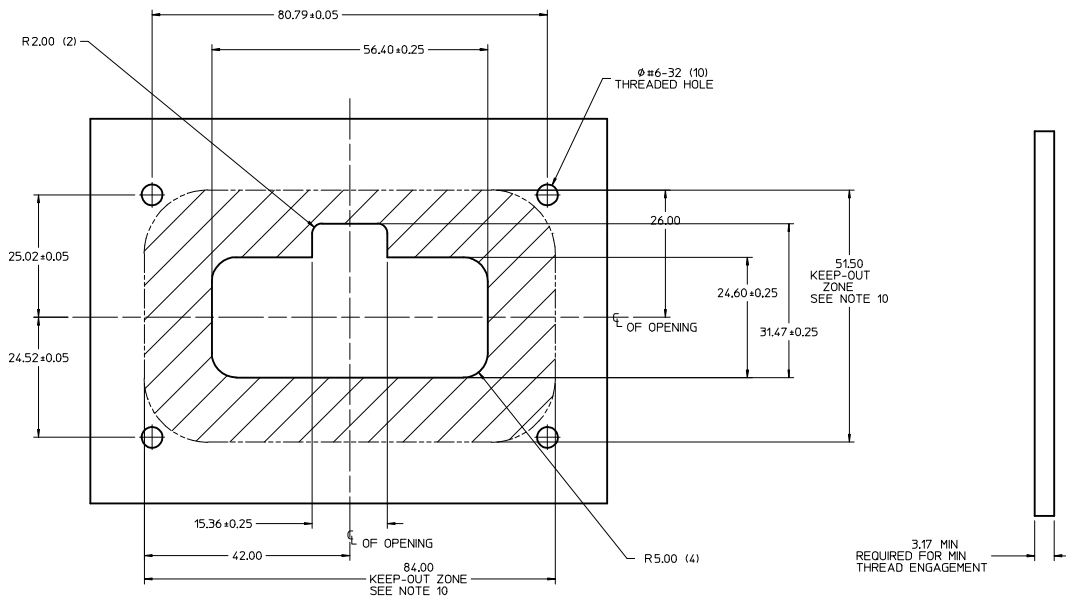
OPTION B  
KEYING 2-3



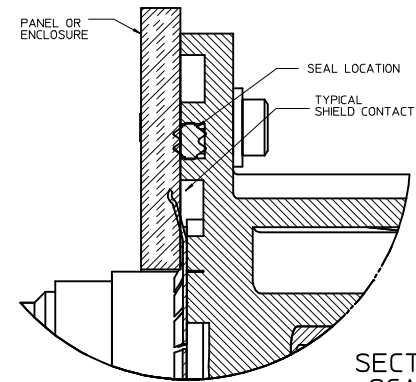
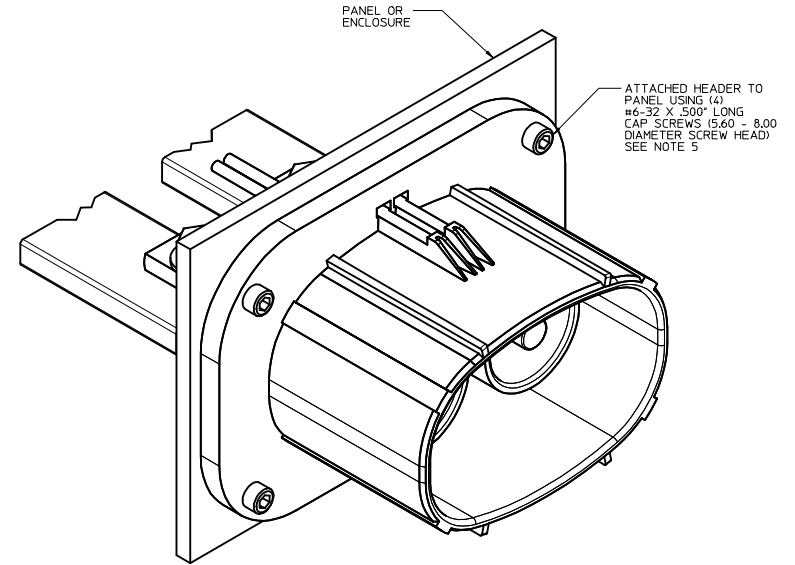
USE OF THIS PRODUCT REQUIRES THAT APPROPRIATE HIGH VOLTAGE WARNING LABELS BE APPLIED TO THE CABLE ASSEMBLY AND/OR IN CLOSE PROXIMITY OF THE MATED CONNECTOR APPLICATION IN A MANNER THAT PROVIDES SUITABLE WARNING TO THE END USER AND MEETS APPLICABLE LAWS. IT IS THE RESPONSIBILITY OF THE OEM OR MANUFACTURER OF THE PRODUCT IN WHICH THIS CONNECTOR SYSTEM IS USED TO APPLY THE APPROPRIATE HIGH VOLTAGE WARNING LABEL(S) TO THE FINAL PRODUCT. TO THE EXTENT MOLEX IS NOT RESPONSIBLE FOR THE FINAL CABLE ASSEMBLY, MOLEX DISCLAIMS ALL WARRANTIES AND LIABILITY THAT RESULT FROM A FAILURE TO PROVIDE AN APPROPRIATE WARNING.

REVISED PIN LOCATION IEC NO: UCP2017-1062 DRAWN BY: MDATA CHKD: MDATA APPR: APATEL DESCRIPTION: 2016/10/21	QUALITY SYMBOLS	GENERAL TOLERANCES (UNLESS SPECIFIED)	DIMENSION STYLE	SCALE	DESIGN UNITS	THIRD ANGLE PROJECTION
	▽=0	mm INCH	MM ONLY	1:1	METRIC	☉
	▽=0	4 PLACES ± --- ± ---	DRAWN BY: MDATA	DATE: 2011/12/08	TITLE: HEADER ASSY PANEL MOUNT IMPERIUM	
	▽=0	3 PLACES ± --- ± ---	CHECKED BY: MDATA	DATE: 2011/12/21	APPROVED BY: APATEL	DATE: 2012/04/11
		2 PLACES ± 0.60 ± ---				
		1 PLACE ± 0.90 ± ---				
		ANGULAR ±1/2°				
		DRAFT WHERE APPLICABLE MUST REMAIN WITHIN DIMENSIONS				
			SIZE D	THIS DRAWING CONTAINS INFORMATION THAT IS PROPRIETARY TO MOLEX INCORPORATED AND SHOULD NOT BE USED WITHOUT WRITTEN PERMISSION		

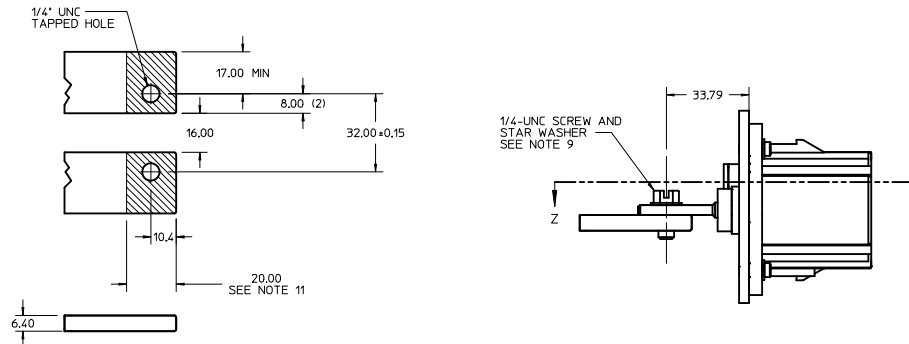
MATERIAL NO.	DOCUMENT NO.	SHEET NO.
SEE CHART	SD-171467-1000	1 OF 2



PANEL REQUIREMENTS  
SCALE 2:1



SECTION Z-Z  
SCALE 4:1

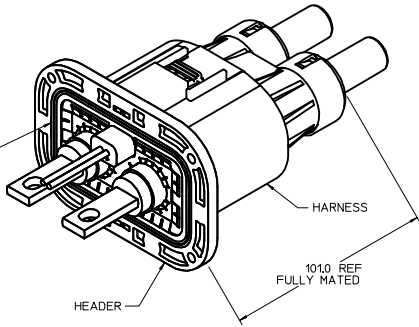


RECOMMENDED BUS BAR DETAIL

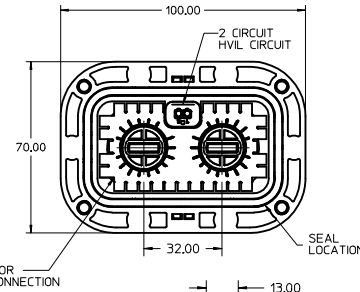
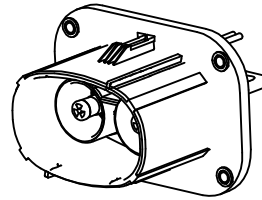
<b>SEE SHEET 1</b> IEC NO: UCP2017-1062 DRAWN BY: CHYD APPR: APATEL DATE: 2016/12/21	QUALITY SYMBOLS	GENERAL TOLERANCES (UNLESS SPECIFIED)	DIMENSION STYLE	SCALE	DESIGN UNITS	THIRD ANGLE PROJECTION
	▽=0	mm INCH	MM ONLY	1:1	METRIC	☉
	▽=0	4 PLACES ± --- ± ---	DRAWN BY: MDATA	DATE: 2011/12/08	TITLE: HEADER ASSY PANEL MOUNT IMPERIUM	<b>MOLEX INCORPORATED</b> MATERIAL NO: SD-171467-1000 DOCUMENT NO: 2 OF 2
	▽=0	3 PLACES ± --- ± --- 2 PLACES ± 0.60 ± --- 1 PLACE ± 0.90 ± --- ANGULAR ±1/2°	CHECKED BY: MDATA	DATE: 2011/12/21		
REV	DESCRIPTION	DRAFT WHERE APPLICABLE MUST REMAIN WITHIN DIMENSIONS		APPROVED BY: APATEL	DATE: 2012/04/11	SIZE: D

PART NUMBER	KEYING OPTION
171467-1001	A
171467-1002	B

MAIN PANEL SEAL MUST BE FULLY SEATED IN SEAL CAVITY BEFORE ATTACHMENT TO PANEL

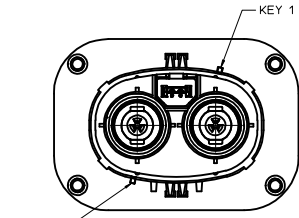


HEADER MATED TO HARNESS

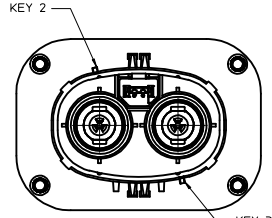


NOTES:

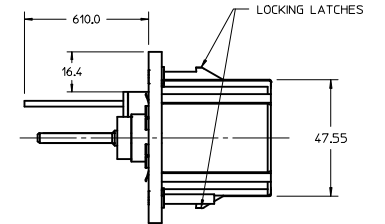
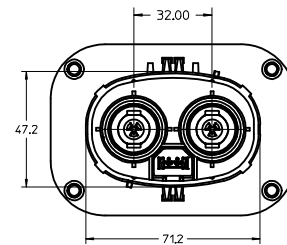
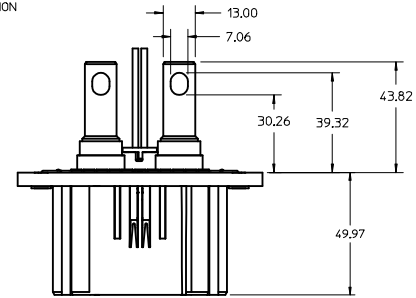
- MATERIAL:  
MAIN HOUSING: POLYESTER 94V-0 (OPTIONAL UV STABILIZED)  
COLOR: ORANGE  
POWER TERMINALS: COPPER  
HVIL TERMINALS: COPPER ALLOY
- FINISH:  
POWER TERMINALS: SILVER OVER NICKEL PLATING  
HVIL TERMINALS: TIN OVER NICKEL PLATING
- WIRE FOR HVIL TERMINALS: 18 GAGE TXL AUTOMOTIVE GRADE STRANDED WIRE
- MATES WITH HARNESS ASSEMBLY SERIES 171466-1\*\*\*
- ATTACH HEADER WITH SCREWS TO PANEL PER MOLEX APPLICATION SPEC
- PRODUCT SPECIFICATION: PS-171467-001
- APPLICATION SPECIFICATION: AS-171467-001
- PACKAGING SPECIFICATION: PK-171467-999
- SHIELD MATING SURFACE WITHIN THE KEEP OUT ZONE MUST BE A CLEAN SURFACE WITH TIN OR NICKEL PLATING
- BUS BAR AND MOUNTING HARDWARE TO BE OVERALL TIN PLATED



OPTION A  
KEYING 1-4  
MOLEX STANDARD  
KEYIN VERSION

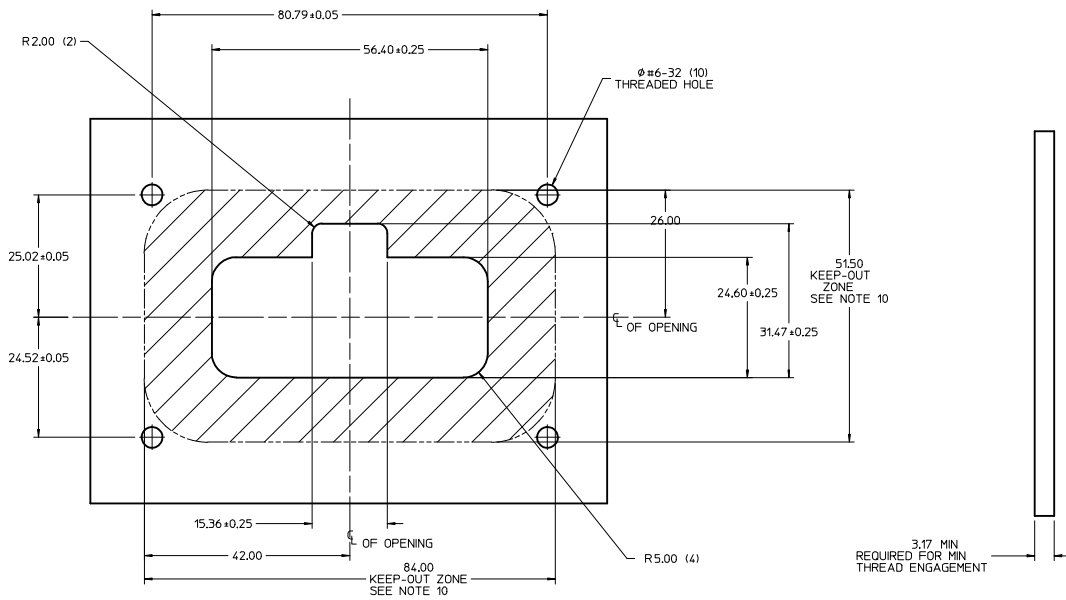


OPTION B  
KEYING 2-3

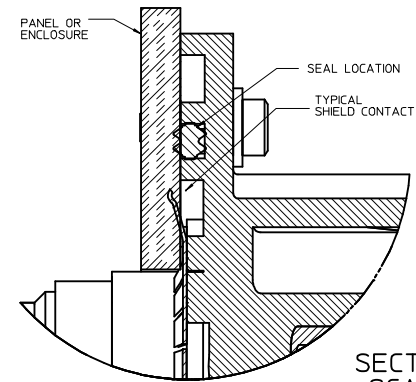
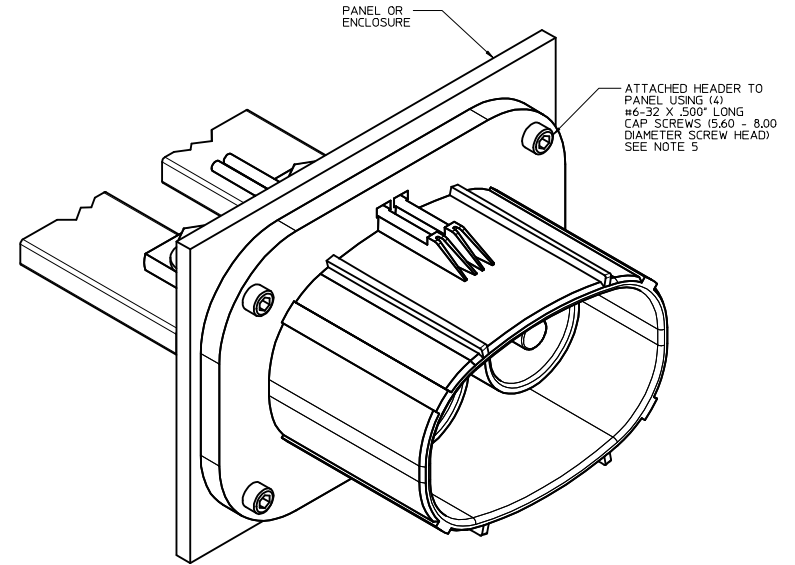


USE OF THIS PRODUCT REQUIRES THAT APPROPRIATE HIGH VOLTAGE WARNING LABELS BE APPLIED TO THE CABLE ASSEMBLY AND/OR IN CLOSE PROXIMITY OF THE MATED CONNECTOR APPLICATION IN A MANNER THAT PROVIDES SUITABLE WARNING TO THE END USER AND MEETS APPLICABLE LAWS. IT IS THE RESPONSIBILITY OF THE OEM OR MANUFACTURER OF THE PRODUCT IN WHICH THIS CONNECTOR SYSTEM IS USED TO APPLY THE APPROPRIATE HIGH VOLTAGE WARNING LABEL(S) TO THE FINAL PRODUCT. TO THE EXTENT MOLEX IS NOT RESPONSIBLE FOR THE FINAL CABLE ASSEMBLY, MOLEX DISCLAIMS ALL WARRANTIES AND LIABILITY THAT RESULT FROM A FAILURE TO PROVIDE AN APPROPRIATE WARNING.

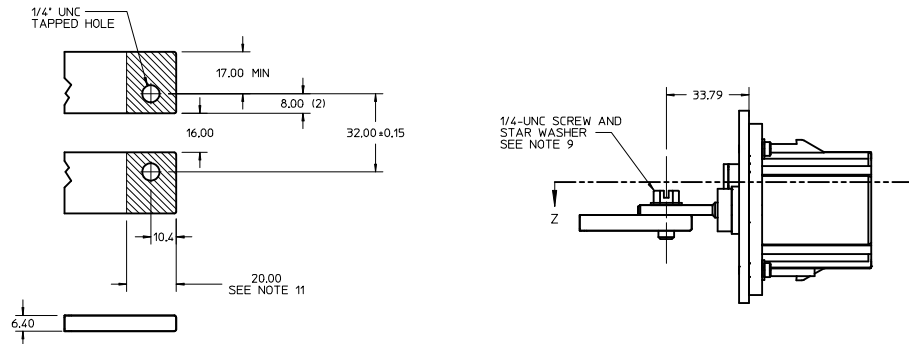
REVISED PIN LOCATION EC NO: UCP2017-1062 DRAWN BY: MDATA CHKD: MDATA APPR: APATEL REV: 1	2016/10/02	2016/10/21	QUALITY SYMBOLS	GENERAL TOLERANCES (UNLESS SPECIFIED)	DIMENSION STYLE	SCALE	DESIGN UNITS	THIRD ANGLE PROJECTION
			▽=0	mm INCH	MM ONLY	1:1	METRIC	☉
			▽=0	4 PLACES ± --- ± ---	DRAWN BY DATE			
			▽=0	3 PLACES ± --- ± ---	CHECKED BY DATE			
			2 PLACES ± 0.60 ± ---	APATEL DATE				
			1 PLACE ± 0.90 ± ---	APATEL DATE				
			ANGULAR ±1/2°	APATEL DATE				
DRAFT WHERE APPLICABLE MUST REMAIN WITHIN DIMENSIONS				SEE CHART		MATERIAL NO.		DOCUMENT NO.
				SIZE D		MOLEX INCORPORATED		SHEET NO.
						SD-171467-1000		1 OF 2
THIS DRAWING CONTAINS INFORMATION THAT IS PROPRIETARY TO MOLEX INCORPORATED AND SHOULD NOT BE USED WITHOUT WRITTEN PERMISSION								



PANEL REQUIREMENTS  
SCALE 2:1



SECTION Z-Z  
SCALE 4:1

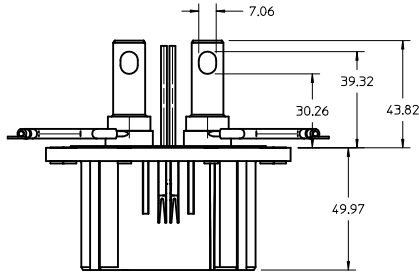
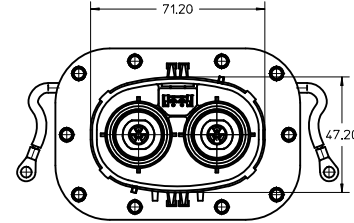
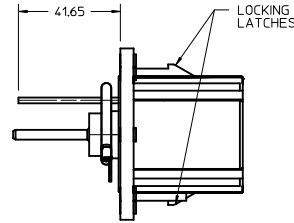
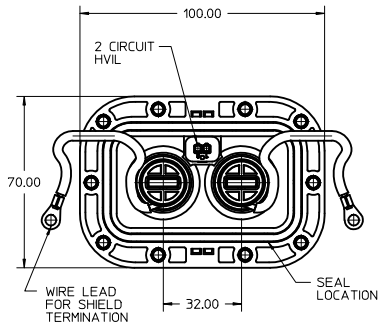
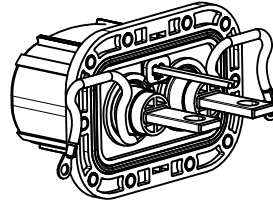
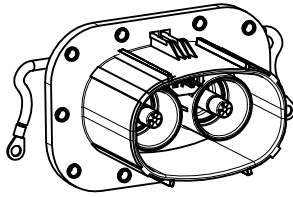


RECOMMENDED BUS BAR DETAIL

<b>SEE SHEET 1</b> IEC NO: UCP2017-1062 DRAWN BY: CHYD APPR: APATEL DATE: 2016/12/21	QUALITY SYMBOLS	GENERAL TOLERANCES (UNLESS SPECIFIED)	DIMENSION STYLE	SCALE	DESIGN UNITS	THIRD ANGLE PROJECTION
	▽=0	mm INCH	MM ONLY	1:1	METRIC	☉
	▽=0	4 PLACES ± --- ± ---	DRAWN BY: MDATA	DATE: 2011/12/08	TITLE: HEADER ASSY PANEL MOUNT IMPERIUM	
	▽=0	3 PLACES ± --- ± ---	CHECKED BY: MDATA	DATE: 2011/12/21	APATEL	DATE: 2012/04/11
	2 PLACES ± 0.60 ± ---	APPROVED BY: APATEL	DATE: 2012/04/11	MATERIAL NO. SEE CHART	DOCUMENT NO. SD-171467-1000	SHEET NO. 2 OF 2
	1 PLACE ± 0.90 ± ---	ANGULAR ± 1/2°	DRAFT WHERE APPLICABLE MUST REMAIN WITHIN DIMENSIONS	MOLEX INCORPORATED		

PART NUMBER

171467-1100



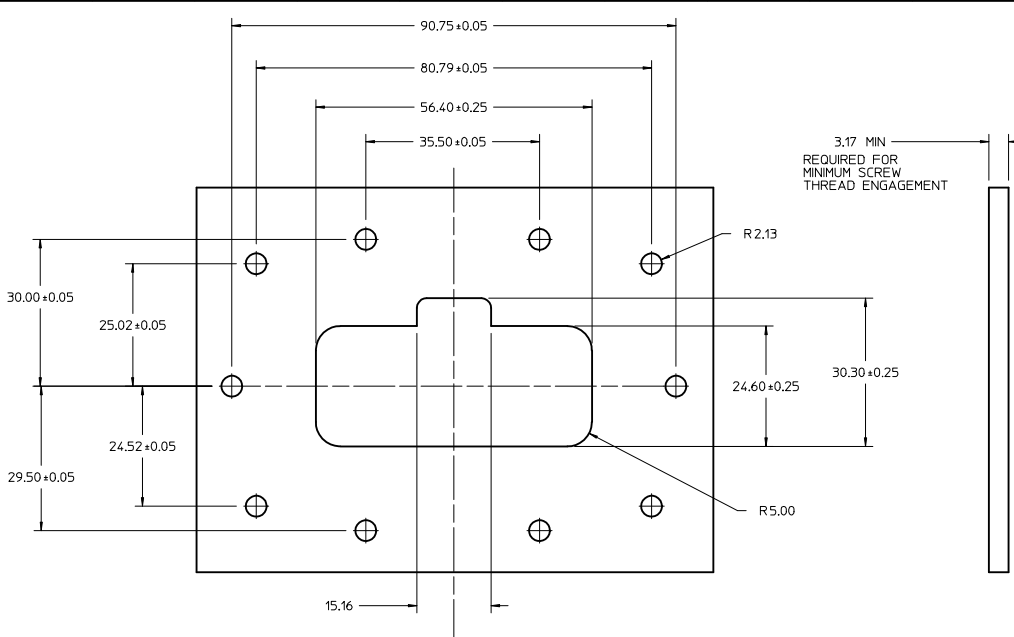
NOTES:

1. MATERIAL:  
 MAIN HOUSING: POLYESTER 92V-0 (OPTIONAL UV STABILIZED)  
 COLOR: ORANGE  
 POWER TERMINALS: COPPER  
 HVIL TERMINALS: COPPER ALLOY
2. FINISH:  
 POWER TERMINALS: SILVER OVER NICKEL PLATING  
 HVIL TERMINALS: TIN OVER NICKEL PLATING
3. WIRE FOR HVIL TERMINALS: 18 GAGE XL AUTOMOTIVE GRADE STRANDED WIRE
4. MATES WITH HARNESS ASSEMBLY 171466-1\*\*\* SERIES CABLES
5. ATTACH HEADER WITH SCREWS TO PANEL WITH \*\*\* IN-LBS OF TORQUE
6. PRODUCT SPECIFICATION: PS-171466-xxx
7. APPLICATION SPECIFICATION: AS-171466-xxx
8. PACKAGING SPECIFICATION: PK-171467-xxx
9. ATTACH HEADER TERMINAL WITH BOLT TO BUSS BAR WITH \*\* IN LBS OF TORQUE
10. BUS BAR AND MOUNTING HARDWARE TO BE OVERALL TIN PLATED.

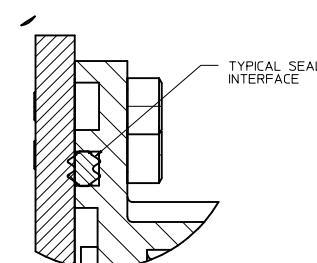
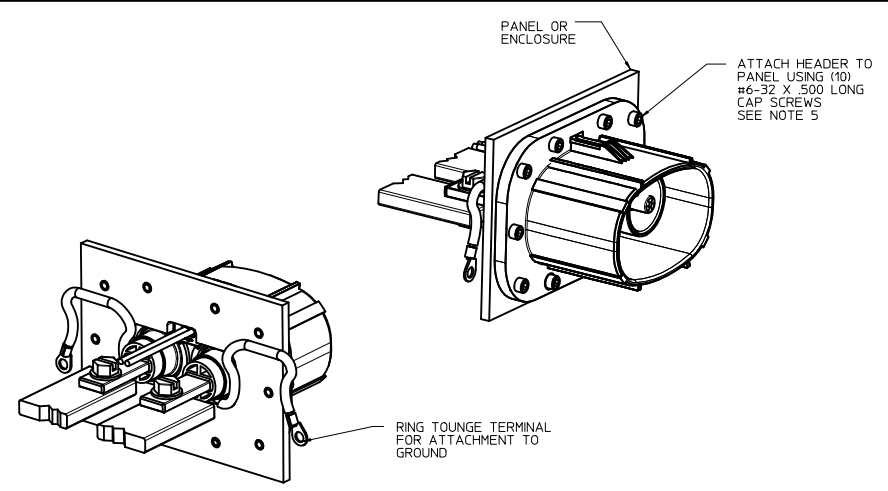
HEADER CONNECTOR WITH WIRE LEAD

PRELIMINARY

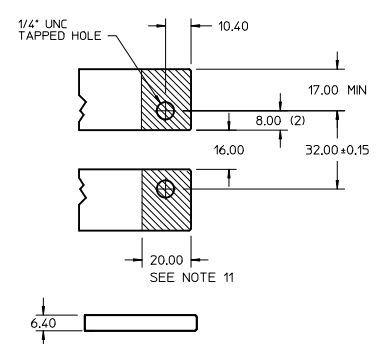
PRELIMINARY EC NO: UCP2012-3454 DRAWN/DATE: CHYD/2012/04/19 APPR: APATEL/2012/04/27	QUALITY SYMBOLS	GENERAL TOLERANCES (UNLESS SPECIFIED)	DIMENSION STYLE	SCALE	DESIGN UNITS	THIRD ANGLE PROJECTION	
	∇=0 ∇=0 ∇=0	4 PLACES ±0.13 3 PLACES ±0.25 2 PLACES ±0.25 1 PLACE ±0.25 0 PLACE ±0.25	mm INCH	MM ONLY	1:1	METRIC	THIRD ANGLE PROJECTION HEADERS ASSY PANEL MOUNT IMPERIUM <b>molex</b>
	DRAFT WHERE APPLICABLE MUST REMAIN WITHIN DIMENSIONS	ANGULAR ±1/2° DRAFT WHERE APPLICABLE MUST REMAIN WITHIN DIMENSIONS	DRAWN BY: MDATA DATE: 2012/04/19 CHECKED BY: DATE APPROVED BY: APATEL DATE: 2012/04/27	MATERIAL NO: <b>SEE CHART</b>	DOCUMENT NO: SD-171467-1100	SHEET NO: 1 OF 2	
	SIZE D	THIS DRAWING CONTAINS INFORMATION THAT IS PROPRIETARY TO MOLEX INCORPORATED AND SHOULD NOT BE USED WITHOUT WRITTEN PERMISSION					



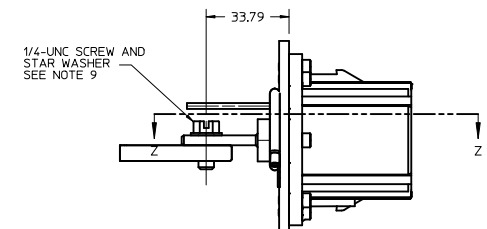
PANEL REQUIREMENTS  
SCALE 2:1



Partial1  
SCALE 4:1



RECOMMENDED BUSS BAR DETAIL



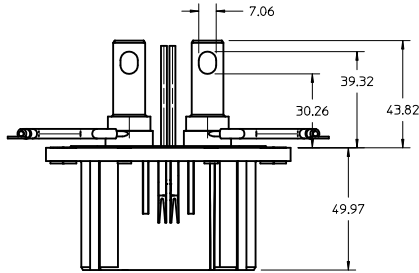
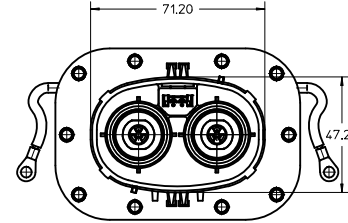
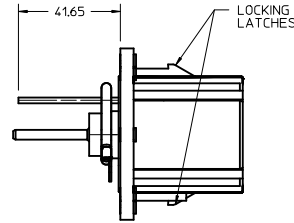
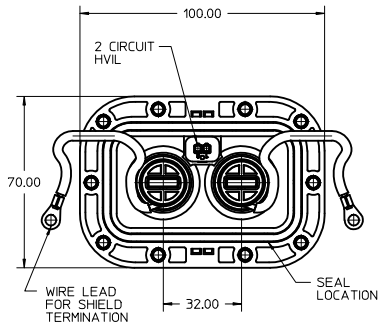
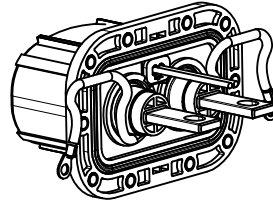
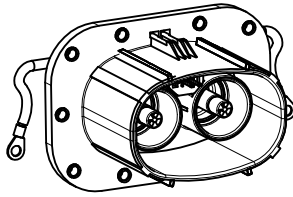
BUSS BAR ATTACHMENT

HEADER CONNECTOR TO PANEL ATTACHMENT

SEE SHEET 1 EC NO: UCF2012-3454 DRAWN/MDATA: 2012/04/19 CHKD: MDATA APPR: APATEL 2012/04/17	QUALITY SYMBOLS	GENERAL TOLERANCES (UNLESS SPECIFIED)	DIMENSION STYLE	SCALE	DESIGN UNITS	THIRD ANGLE PROJECTION
	∇=0 ∇=0 ∇=0	mm INCH 4 PLACES ±--- ±--- 3 PLACES ±--- ±--- 2 PLACES ±0.13 ±--- 1 PLACE ±0.25 ±--- 0 PLACE ±--- ±---	MM ONLY	1:1	METRIC	DRAWN BY: MDATA DATE: 2012/04/19 CHECKED BY: MDATA DATE: 2012/04/19 APPROVED BY: APATEL DATE: 2012/04/17
ANGULAR ±1/2° DRAFT WHERE APPLICABLE MUST REMAIN WITHIN DIMENSIONS		SIZE D THIS DRAWING CONTAINS INFORMATION THAT IS PROPRIETARY TO MOLEX INCORPORATED AND SHOULD NOT BE USED WITHOUT WRITTEN PERMISSION		SHEET NO. 2 OF 2		

PART NUMBER

171467-1100



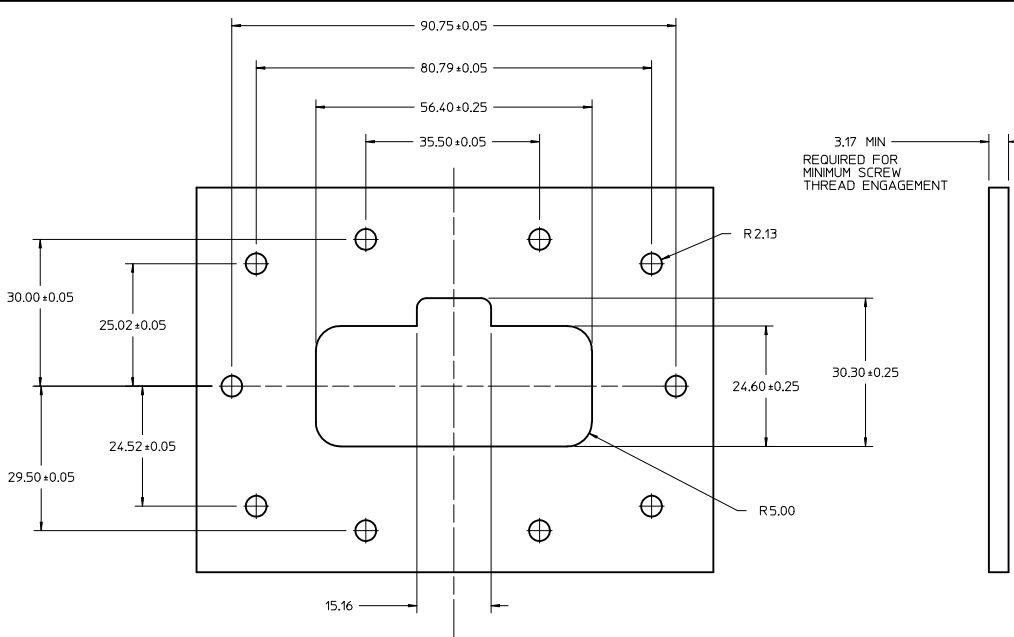
HEADER CONNECTOR WITH WIRE LEAD

NOTES:

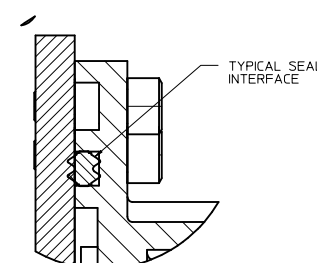
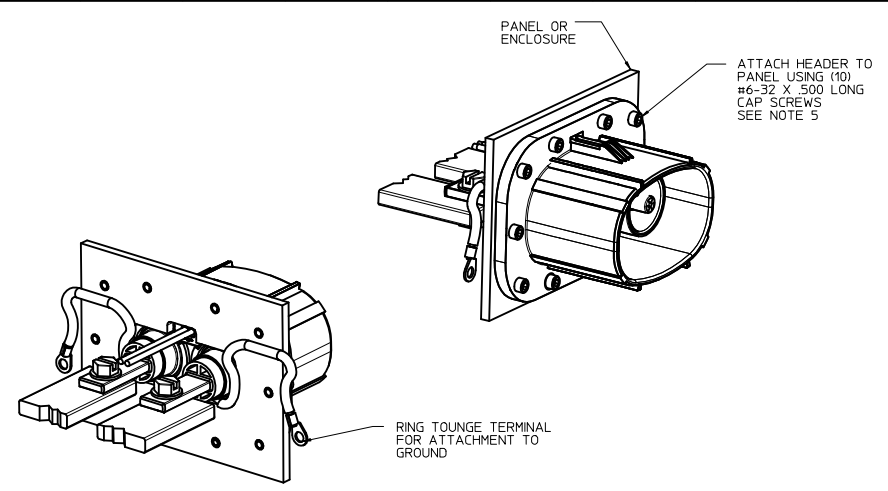
1. MATERIAL:  
 MAIN HOUSING: POLYESTER 92V-0 (OPTIONAL UV STABILIZED)  
 COLOR: ORANGE  
 POWER TERMINALS: COPPER  
 HVIL TERMINALS: COPPER ALLOY
2. FINISH:  
 POWER TERMINALS: SILVER OVER NICKEL PLATING  
 HVIL TERMINALS: TIN OVER NICKEL PLATING
3. WIRE FOR HVIL TERMINALS: 18 GAGE XL AUTOMOTIVE GRADE STRANDED WIRE
4. MATES WITH HARNESS ASSEMBLY 171466-1\*\*\* SERIES CABLES
5. ATTACH HEADER WITH SCREWS TO PANEL WITH \*\*\* IN-LBS OF TORQUE
6. PRODUCT SPECIFICATION: PS-171466-xxx
7. APPLICATION SPECIFICATION: AS-171466-xxx
8. PACKAGING SPECIFICATION: PK-171467-xxx
9. ATTACH HEADER TERMINAL WITH BOLT TO BUSS BAR WITH \*\* IN LBS OF TORQUE
10. BUSS BAR AND MOUNTING HARDWARE TO BE OVERALL TIN PLATED.

PRELIMINARY

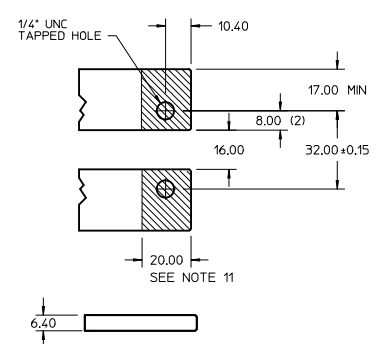
PRELIMINARY EC NO: UCP2012-3454 DRAWN/DATE: CHYD/2012/04/19 APPR: APATEL/2012/04/27	QUALITY SYMBOLS	GENERAL TOLERANCES (UNLESS SPECIFIED)	DIMENSION STYLE	SCALE	DESIGN UNITS	THIRD ANGLE PROJECTION
	▽=0	4 PLACES ±0.13	MM ONLY	1:1	METRIC	☉
	▽=0	3 PLACES ±0.25	INCH			
	▽=0	2 PLACES ±0.25				
		ANGULAR ±1/2°	DRAWN BY	DATE	TITLE	
		DRAFT WHERE APPLICABLE MUST REMAIN WITHIN DIMENSIONS	MDATA	2012/04/19	HEADER ASSY PANEL MOUNT IMPERIUM	
			CHECKED BY	DATE	molex	
			APPROVED BY	DATE	DOCUMENT NO.	
			APATEL	2012/04/27	SD-171467-1100	
			MATERIAL NO.	SEE CHART	SHEET NO.	
			SIZE	D	1 OF 2	
					THIS DRAWING CONTAINS INFORMATION THAT IS PROPRIETARY TO MOLEX INCORPORATED AND SHOULD NOT BE USED WITHOUT WRITTEN PERMISSION	



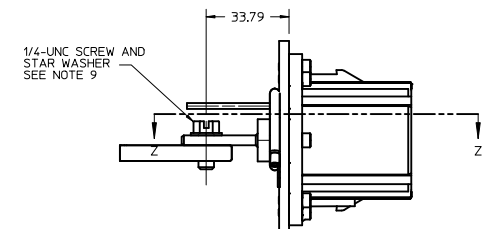
PANEL REQUIREMENTS  
SCALE 2:1



Partial1  
SCALE 4:1



RECOMMENDED BUSS BAR DETAIL



BUSS BAR ATTACHMENT

HEADER CONNECTOR TO PANEL ATTACHMENT

SEE SHEET 1 IEC NO: UCF2012-3454 DRAWN/MDATA: 2012/04/19 CHKD: MDATA APPR: APATEL 2012/04/17	QUALITY SYMBOLS	GENERAL TOLERANCES (UNLESS SPECIFIED)	DIMENSION STYLE	SCALE	DESIGN UNITS	THIRD ANGLE PROJECTION
	∇=0 ∇=0 ∇=0	mm INCH 4 PLACES ±--- ±--- 3 PLACES ±--- ±--- 2 PLACES ±0.13 ±--- 1 PLACE ±0.25 ±--- 0 PLACE ±--- ±---	MM ONLY	1:1	METRIC	DRAWN BY: MDATA DATE: 2012/04/19 CHECKED BY: MDATA DATE: 2012/04/19 APPROVED BY: APATEL DATE: 2012/04/17
DRAFT WHERE APPLICABLE MUST REMAIN WITHIN DIMENSIONS		MATERIAL NO: SEE CHART		SIZE: D THIS DRAWING CONTAINS INFORMATION THAT IS PROPRIETARY TO MOLEX INCORPORATED AND SHOULD NOT BE USED WITHOUT WRITTEN PERMISSION		