

W2E250A Series

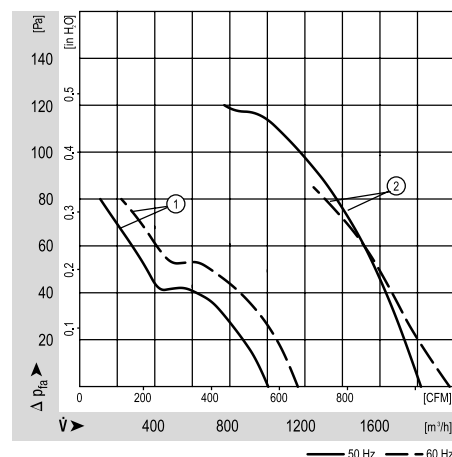
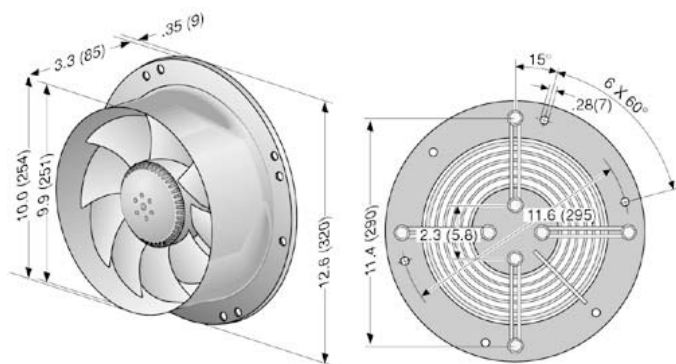
Axial



Ø 250mm S-Range

- AC Axial fan with round venturi housing. Shallow depth with external rotor motor for exceptional performance and long life.
- Individual sickle blades made of sheet steel are welded onto the external-rotor motor and dynamically balanced.
- Direction of rotation is CCW looking at rotor.
- Maintenance-free ball bearings.
- Mounting plate with 7 mm holes. Ready to install.
- UL, CSA, VDE approvals on most models, please contact application engineering.

| Part Number | Curve | CFM @ 0 | VAC | Hertz | Power (W) | dBA | Max. Amb. Temp C | Bearing Type | Features | Capacitor (µF) | Grill Position | Wgt. (lbs) |
|----------------|-------|---------|-----|-------|-----------|-----|------------------|--------------|----------|----------------|----------------|------------|
| W4S250-CH20-70 | 1 | 645 | 115 | 50/60 | 68 | 61 | 60 | Ball | Leads | - | Dischg | 2.69 |
| W4S250-CI20-70 | 1 | 645 | 115 | 50/60 | 68 | 61 | 60 | Ball | Leads | - | Inlet | 2.69 |
| W2E250-CL08-70 | 2 | 1100 | 115 | 50/60 | 160 | 71 | 40 | Ball | Leads | 12 | Dischg | 3.13 |
| W2E250-CM08-70 | 2 | 1100 | 115 | 50/60 | 160 | 71 | 40 | Ball | Leads | 12 | Inlet | 3.13 |
| W4S250-CH02-70 | 1 | 645 | 230 | 50/60 | 68 | 61 | 60 | Ball | Leads | - | Dischg | 2.69 |
| W4S250-CI02-70 | 1 | 645 | 230 | 50/60 | 68 | 61 | 60 | Ball | Leads | - | Inlet | 2.69 |
| W2E250-CL06-70 | 2 | 1100 | 230 | 50/60 | 160 | 71 | 40 | Ball | Leads | 3 | Dischg | 3.13 |
| W2E250-CM06-70 | 2 | 1100 | 230 | 50/60 | 160 | 71 | 40 | Ball | Leads | 3 | Inlet | 3.13 |



Mouser Electronics

Authorized Distributor

Click to View Pricing, Inventory, Delivery & Lifecycle Information:

[ebm-papst:](#)

[W2E250-CL06-70](#) [W2E250-CL08-70](#) [W2E250-CM06-70](#) [W2E250-CM08-70](#) [W2E250-CM06-71](#) [W4S250-CH20-70](#)