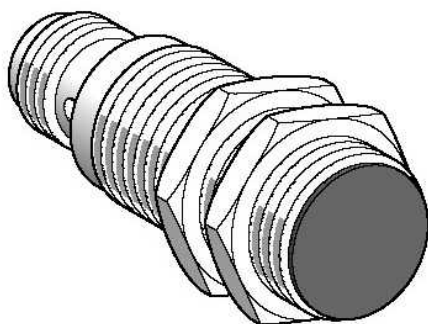


XS1M30MB250A

inductive sensor XS1 M30 - L75mm - brass - Sn10mm - 24..240VAC/DC - 7/8"



Product availability: Non-Stock - Not normally stocked in distribution facility



Main

Commercial Status	Commercialised
Range of product	OsiSense XS
Series name	General purpose
Sensor type	Inductive proximity sensor
Product specific application	2-wire DC short-circuit protection
Sensor name	XS1
Sensor design	Cylindrical M30
Size	75 mm
Body type	Fixed
Detector flush mounting acceptance	Flush mountable
Material	Metal
Type of output signal	Discrete
Wiring technique	2-wire
[Sn] nominal sensing distance	0.39 in (10 mm)
Discrete output function	1 NC
Output circuit type	AC/DC
Electrical connection	3 pins 7/8"16 UNF male connector
[Us] rated supply voltage	24...240 V AC 50/60 Hz 24...210 V DC
Switching capacity in mA	5...300 mA AC with overload and short-circuit protection 5...200 mA DC with overload and short-circuit protection
IP degree of protection	IP67 conforming to IEC 60529

Complementary

ISO thread	M30 x 1.5
Detection face	Frontal
Front material	PPS
Enclosure material	Nickel plated brass
Operating zone	0...0.31 in (0...8 mm)
Differential travel	1...15% of Sr
Status LED	1 LED red for output state 1 LED green for supply on
Supply voltage limits	20...264 V AC/DC
Residual current	<= 1.5 mA for open state
Switching frequency	<= 25 Hz AC <= 2000 Hz DC
Voltage drop	<= 5.5 V at closed state
Delay first up	<= 70 ms
Delay response	<= 2 ms
Delay recovery	<= 5 ms
Marking	CE
Threaded length	2.01 in (51 mm)

Height	1.18 in (30 mm)
Length	2.95 in (75 mm)
Product weight	0.33 lb(US) (0.15 kg)

Environment

Product certifications	CCC CSA UL
Ambient air temperature for operation	-13...158 °F (-25...70 °C)
Ambient air temperature for storage	-40...185 °F (-40...85 °C)
Vibration resistance	25 gn amplitude = +/- 2 mm (f = 10...55 Hz) conforming to IEC 60068-2-6
Shock resistance	50 gn for 11 ms conforming to IEC 60068-2-27

Ordering and shipping details

Category	22486 - SENSORS, PROXIMITY
Discount Schedule	DS2
GTIN	003389110916140
Nbr. of units in pkg.	1
Package weight(Lbs)	0.49
Product availability	Non-Stock - Not normally stocked in distribution facility
Returnability	N
Country of origin	FR

Offer Sustainability

Sustainable offer status	Green Premium product
RoHS	Compliant - since 1104 - Schneider Electric declaration of conformity
REACH	Reference not containing SVHC above the threshold
Product environmental profile	Available Download Product Environmental
Product end of life instructions	Available Download End Of Life Manual

Contractual warranty

Period	18 months
--------	-----------

Mouser Electronics

Authorized Distributor

Click to View Pricing, Inventory, Delivery & Lifecycle Information:

[Schneider Electric:](#)

[XS1M30MB250A](#)