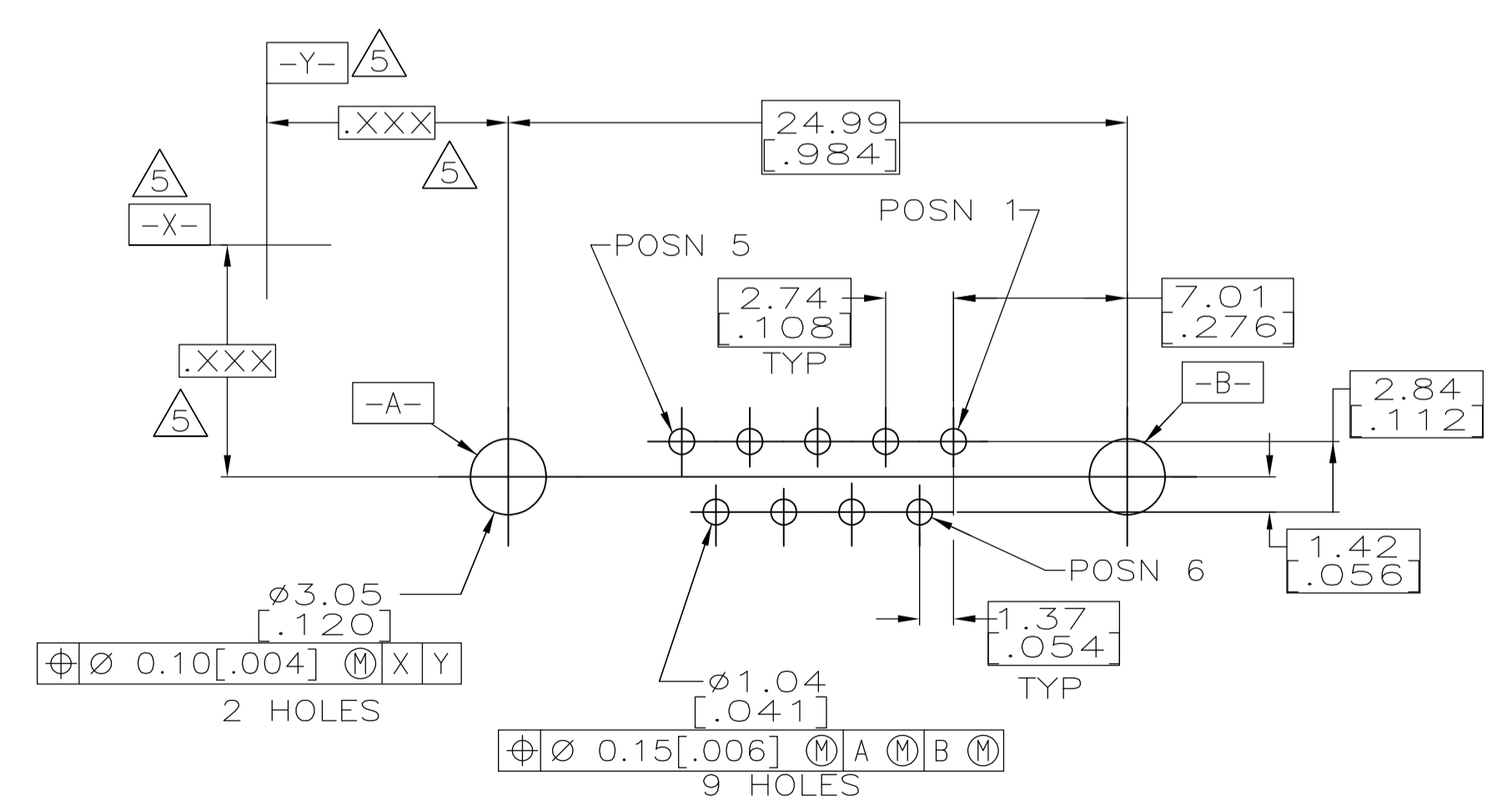
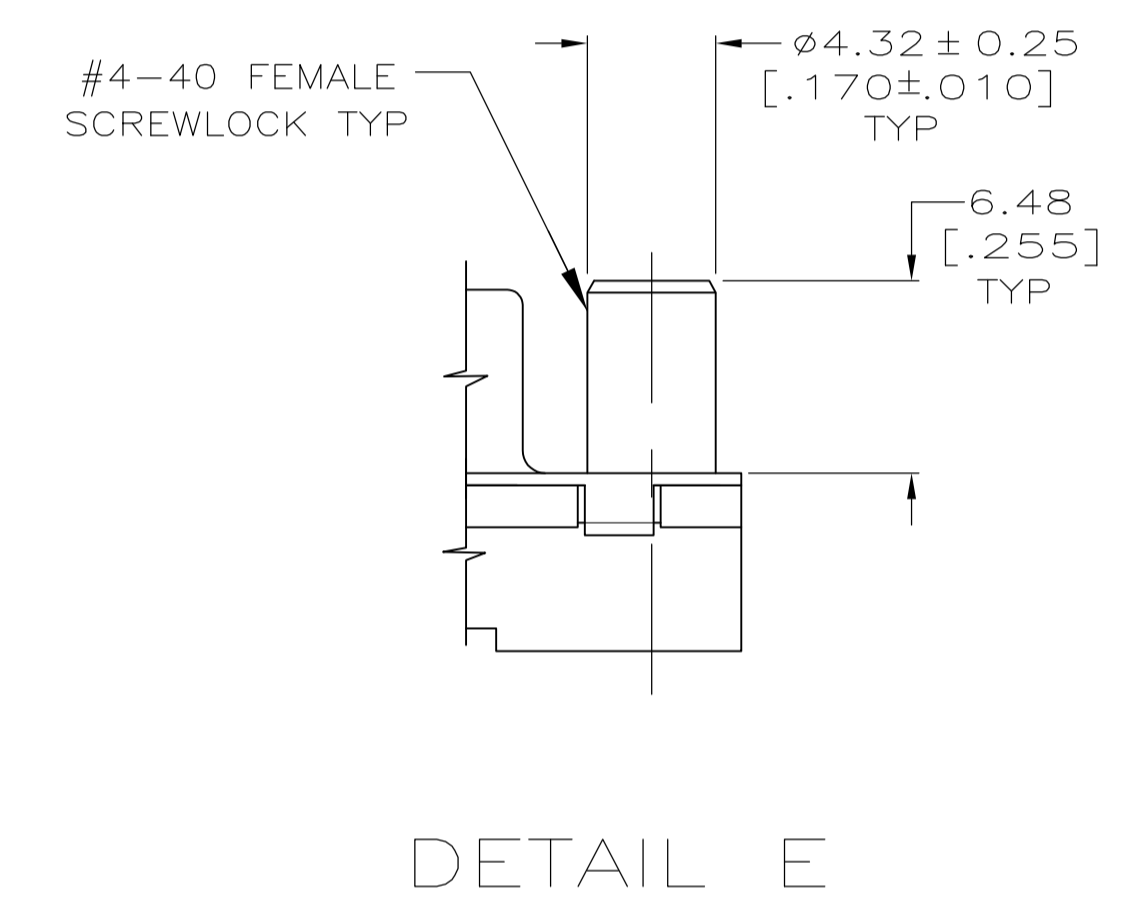
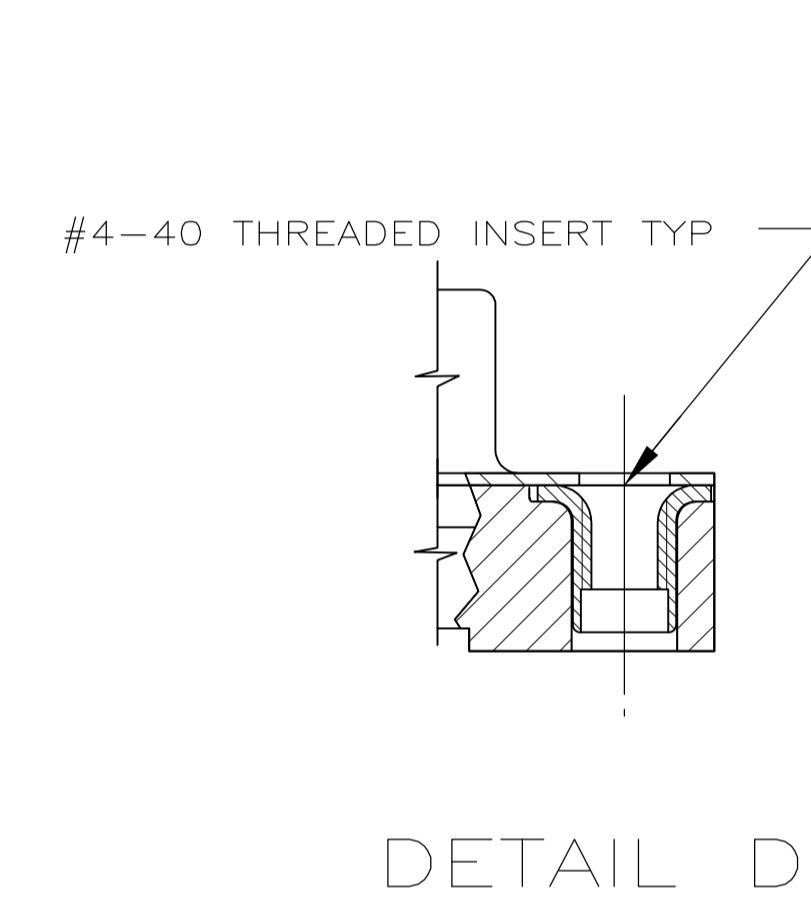
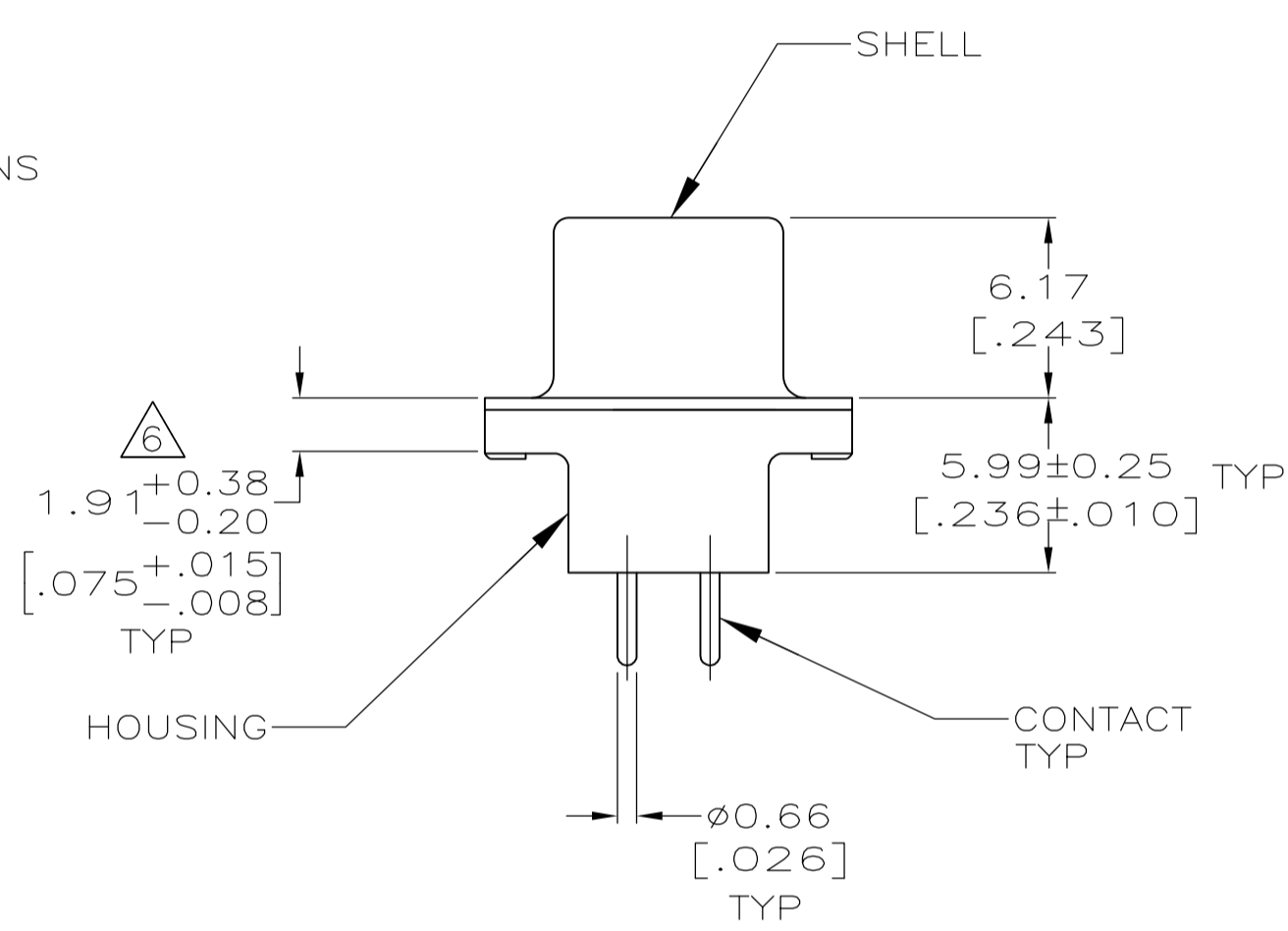
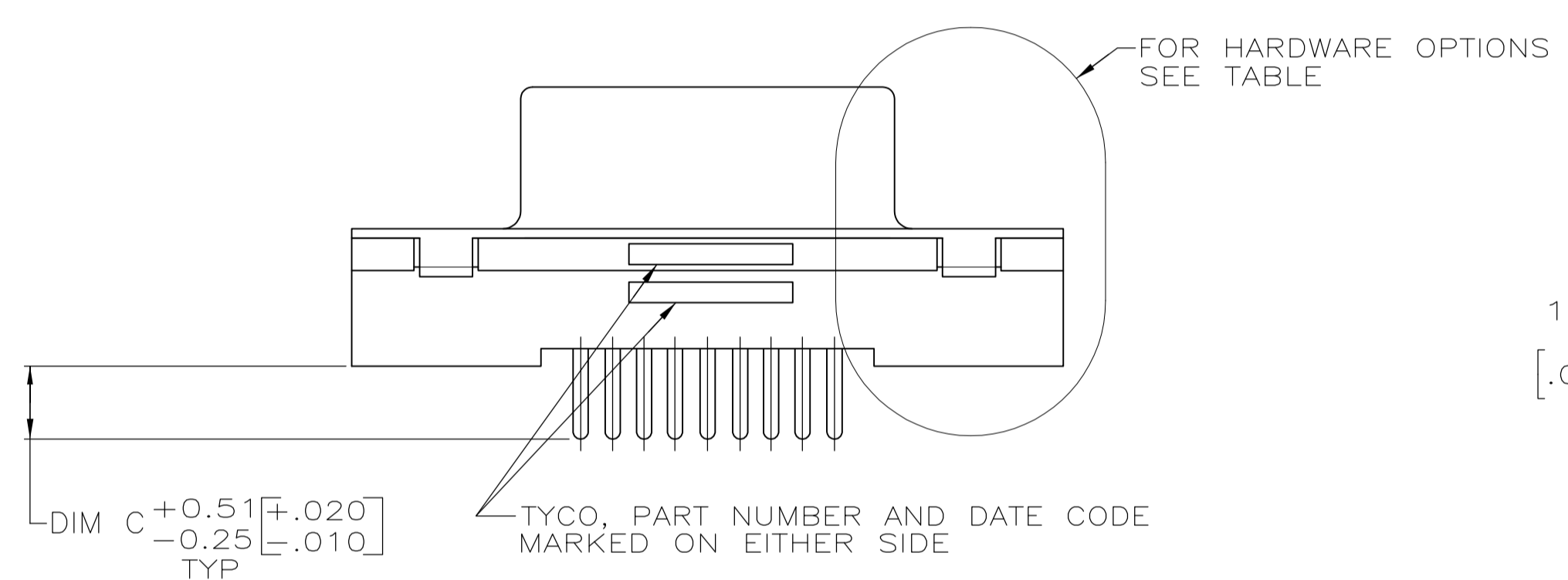
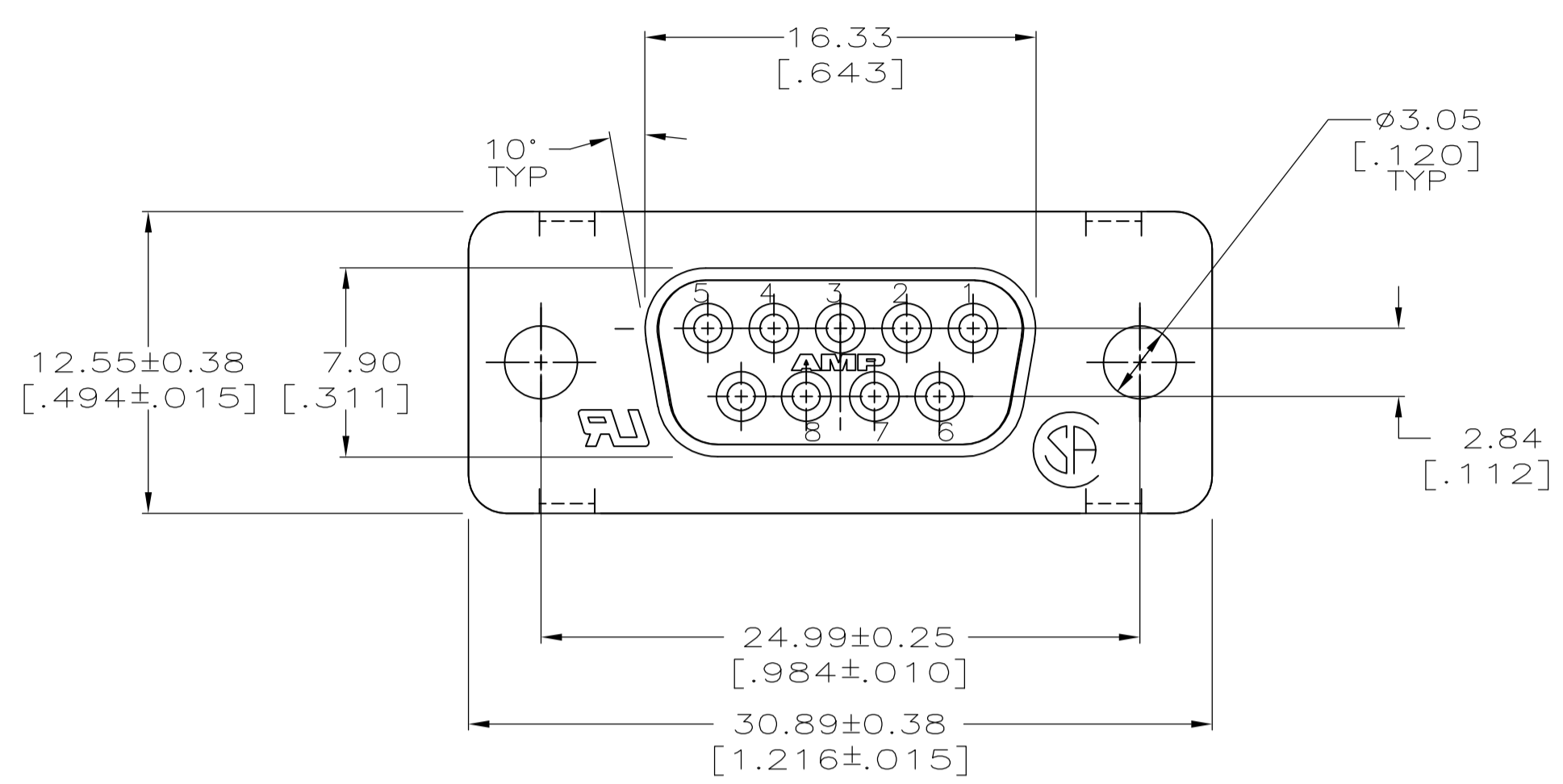


| LOC | DIST | REVISIONS | | | | |
|-----|------|-------------|---------------|---------|-----|------|
| GP | 00 | REV | DESCRIPTION | DATE | OWN | APVD |
| A1 | | REVISED PER | ECO-11-004835 | 11MAR11 | RK | HMR |



RECOMMENDED PC BOARD LAYOUT
CONNECTOR SIDE OF PC BOARD

- ⚠ MATERIAL:
HOUSING: POLYESTER, UL 94V-0 RATED, BLACK.
SHELL: CARBON STEEL.
CONTACTS: PHOS. BRONZE.
SCREWLOCKS: ZINC
INSERTS: BRASS
- ⚠ FINISH:
SHELL: 5.08um [.000200] MIN TIN OVER 2.54um [.000100] MIN COPPER.
CONTACTS: SEE TABLE.
- ⚠ GOLD FLASH FOR A LENGTH OF 2.54 [.100] MIN FROM MATING END, 2.54um [.000100] MIN TIN ON OPPOSITE END, OVER 1.27um [.000050] MIN NICKEL.
- ⚠ 0.76um [.000030] MIN GOLD FOR A LENGTH OF 2.54 [.100] MIN FROM MATING END, 2.54um [.000100] MIN TIN ON OPPOSITE END, OVER 1.27um [.000050] MIN NICKEL.
- ⚠ DATUMS AND BASIC DIMENSIONS ESTABLISHED BY CUSTOMER.
- ⚠ 2.79 [.110] MAX IN SHELL TAB CLINCH AREAS.

| | | | |
|---|-----------------|-------------|-------------|
| W/FEMALE SCREWLOCKS PER DETAIL E | 4 | 4.32 [.170] | 1-5747150-6 |
| | 4 | 3.18 [.125] | 1-5747150-4 |
| | 3 | 3.18 [.125] | 1-5747150-3 |
| W/THREADED INSERTS PER DETAIL D | 4 | 4.32 [.170] | 5747150-9 |
| | 4 | 3.18 [.125] | 5747150-8 |
| | 3 | 3.18 [.125] | 5747150-7 |
| WO/FEMALE SCREWLOCKS OR THREADED INSERTS AS SHOWN | 4 | 4.32 [.170] | 5747150-4 |
| | 4 | 3.18 [.125] | 5747150-2 |
| HARDWARE OPTIONS | CONTACTS FINISH | C | PART NO |

| | | | | |
|--|--|----------------------------------|--|--|
| THIS DRAWING IS A CONTROLLED DOCUMENT. | | DWG: B. MCMASTER 18MAY05 | TE Connectivity | |
| DIMENSIONS: MM [INCHES] | | CHK: S. BOLASH 18MAY05 | NAME: RECEPACLE ASSEMBLY, SIZE 1, 9 POSITION FRONT METAL SHELL, WITH OR WITHOUT SCREWLOCKS OR INSERTS. | |
| TOLERANCES UNLESS OTHERWISE SPECIFIED: | | APVD: M. WALMSLEY 18MAY05 | PRODUCT SPEC: 108-40025 | |
| 0 PLC ± - | | APPLICATION SPEC: 114-40023 | | |
| 1 PLC ± - | | SIZE: A1 | | |
| 2 PLC ± 0.13 [.005] | | CAGE CODE: 00779 | | |
| 3 PLC ± - | | DRAWING NO: 5747150 | | |
| 4 PLC ± - | | RESTRICTED TO: - | | |
| ANGLES ± - | | SCALE: 4:1 | | |
| MATERIAL: 1 | | SHEET: 1 OF 1 | | |
| FINISH: 2 | | REV: A1 | | |
| CUSTOMER DRAWING | | SCALE: 4:1 SHEET: 1 OF 1 REV: A1 | | |

Mouser Electronics

Authorized Distributor

Click to View Pricing, Inventory, Delivery & Lifecycle Information:

[TE Connectivity:](#)

[5747150-8](#)