

4

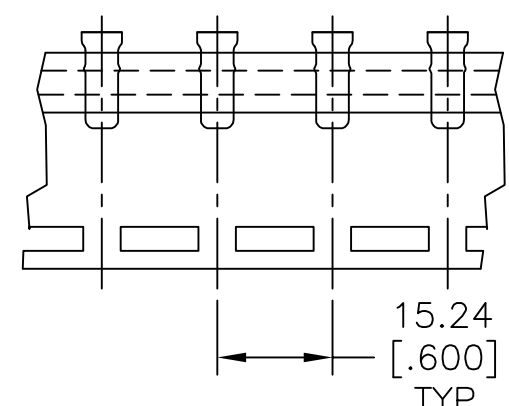
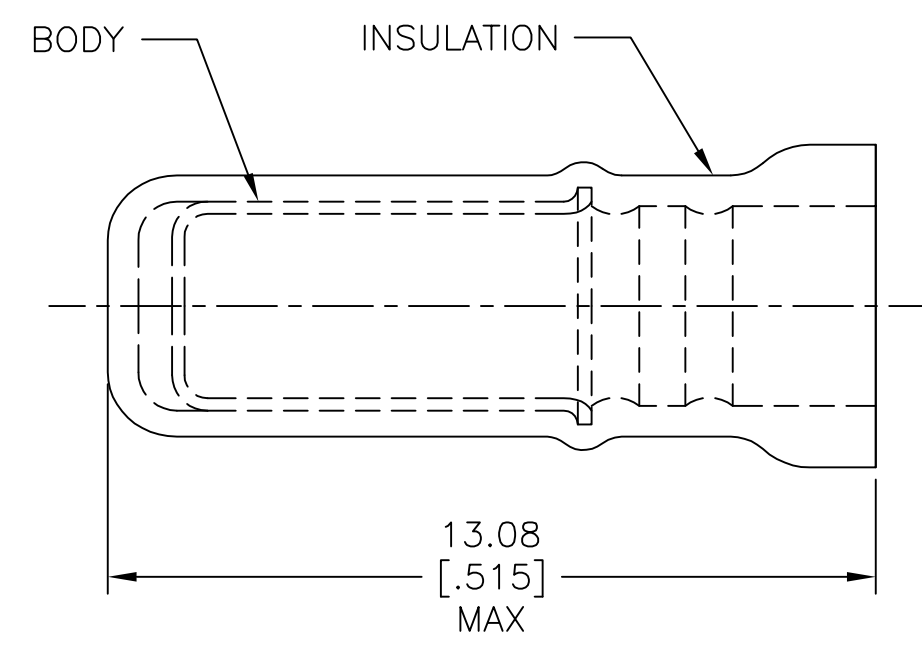
3

2

1

THIS DRAWING IS UNPUBLISHED. RELEASED FOR PUBLICATION
 © COPYRIGHT - TE Connectivity ALL RIGHTS RESERVED.

REVISIONS					
P	LTR	DESCRIPTION	DATE	DWN	APVD
	N	REV/REDRAWN/0720-0482-95 & 0720-0002-95	14FEB95	LO	ME
	N1	REVISED PER ECO-17-006294	10OCT2017	RS	DR



SPARE WIRE CAPS ON TAPE
(SCALE 1:1)

- 1 USE FOR AN UNSTRIPPED (SINGLE) WIRE END ONLY.
- 2 WIRE INSUL, $\phi 2.03-2.92[\phi .080-.115]$

4000	ON TAPE, REEL	2-324485-1
1000	LOOSE PIECE	324485
QTY	PACKAGE TYPE	PART NO

AMP INCORPORATED
CUSTOMER SERVICE SYSTEMS

THIS DRAWING IS A CONTROLLED DOCUMENT.

DWN	L OLMEDA	14FEB95
CHK	M ELLIS	14FEB95
APVD	T MICHIELUTTI	14FEB95



FOR ADDITIONAL PRODUCT INFORMATION OR COPIES OF DRAWINGS AND TECHNICAL DOCUMENTS	PRODUCT INFORMATION CENTER 1-800-522-6752	MAX RECOMMENDED OPERATING TEMPERATURE: 105°C [221°F] MAX
FOR APPLICATION TOOLING INFORMATION	TOOLING ASSISTANCE CENTER 1-800-722-1111	
FOR ORDER ENTRY	1-800-526-5142	WIRE CROSS SECTIONAL AREA RANGE, 0.26-1.65mm ² [509-3,260] CIR MILS SOLID OR STRANDED

DIMENSIONS: mm [INCHES]	TOLERANCES UNLESS OTHERWISE SPECIFIED:
	0 PLC ± - 1 PLC ± - 2 PLC ± 0.20 [.008] 3 PLC ± - 4 PLC ± - ANGLES ± -
MATERIAL	FINISH
BODY, CU PER ASTM B152 INSUL, NYLON, COLOR, RED	BODY, TIN PLATE PER ASTM B545

NAME	SPARE WIRE CAP, RED .080-.115 INSULATION		
PRODUCT SPEC	SIZE	CAGE CODE	DRAWING NO
APPLICATION SPEC	A3	00779	C=324485
WEIGHT	RESTRICTED TO		
CUSTOMER DRAWING	SCALE	SHEET	REV
	8:1	1 OF 1	N1

Mouser Electronics

Authorized Distributor

Click to View Pricing, Inventory, Delivery & Lifecycle Information:

[TE Connectivity:](#)

[324485](#)