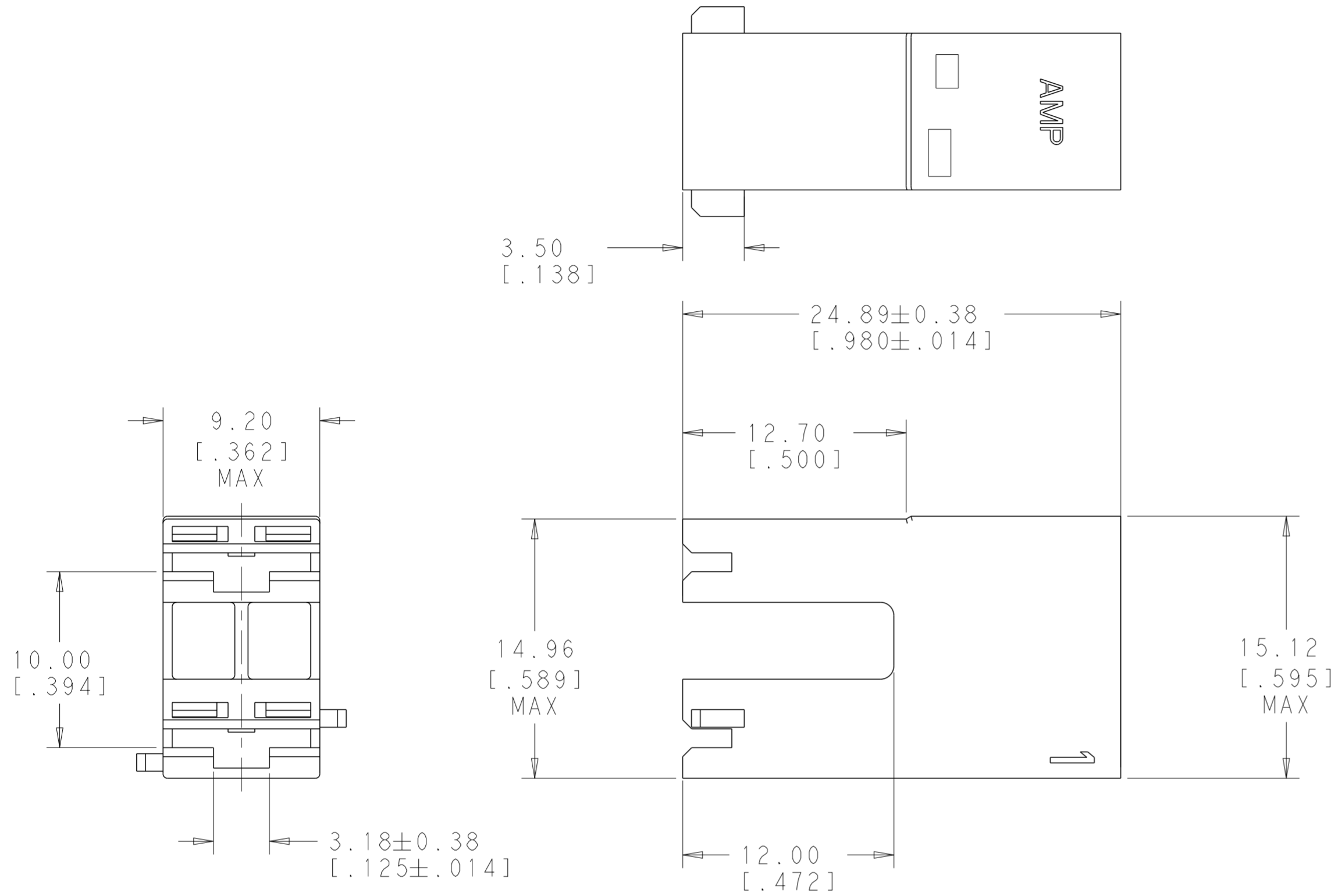
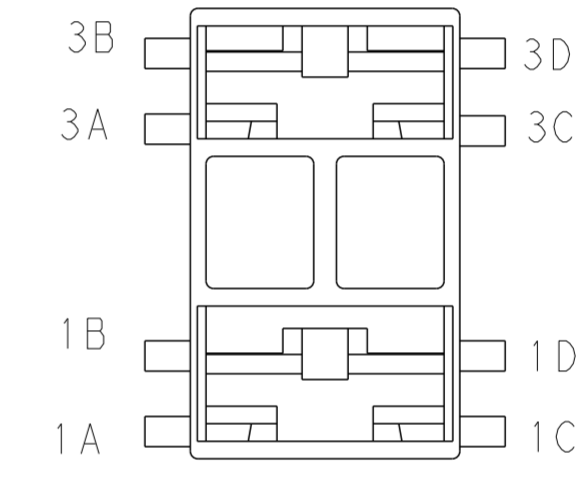


THIS DRAWING IS UNPUBLISHED. RELEASED FOR PUBLICATION 2012
 © COPYRIGHT 2012 BY TE CONNECTIVITY ALL RIGHTS RESERVED.

| LOC | | DIST | | REVISIONS | | | |
|-----|-----|---------------------------|-----------|-----------|------|--|--|
| P | LTR | DESCRIPTION | DATE | DWN | APVD | | |
| E | | REVISED PER ECR-18-004971 | 17APR2018 | MD | FL | | |
| E1 | | REVISED PER ECR-18-007394 | 31MAY2018 | BDA | DC | | |

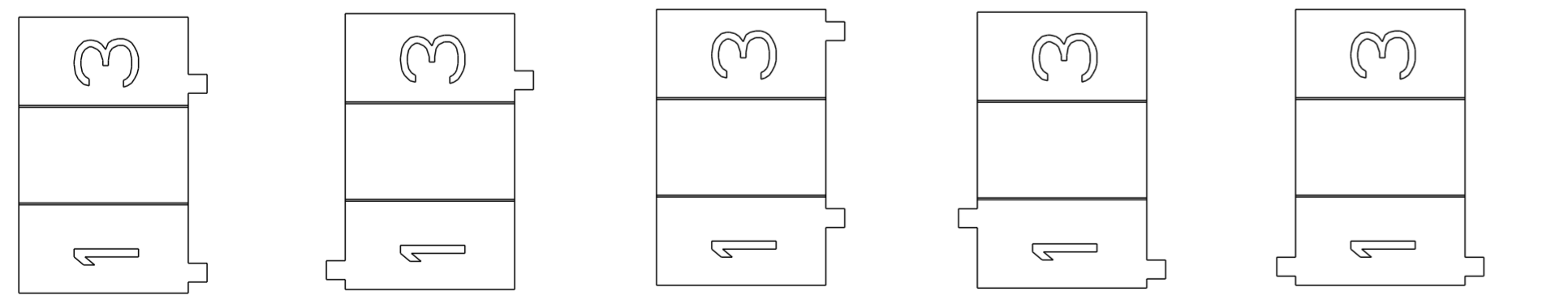


- 1 ACCORDING TO IEC 60335-1, GWPEPT 750°C WITHOUT FLAME
- 2 PRELIMINARY - NOT FOR PRODUCTION
- 3 DELETED NOTE
- 4 DELETED NOTE
- 5 ACCEPTS RECEPTACLES 2238135, 2238136, 1217378, 1217094 AND 1217095
- 6 OBSOLETE PARTS



SPECIAL REAR VIEW THAT MATES WITH THE HEADER VIEWS BELOW SHOWING THE KEYING & POLARIZATION

| | | | | |
|---|----------------|----------------------|---------|------------------------|
| 1 | 1C | 1A | BLUE | 5-2178234-5 |
| 1 | 1C | 1B | BLACK | 5-2178234-4 |
| 1 | 1D, 3D | NONE | NATURAL | 5-2178234-3 |
| 1 | 3C | 1A | YELLOW | 5-2178234-2 |
| 1 | 1C, 3C | NONE | GREEN | 5-2178234-1 |
| 6 | 1C | 1A | BLUE | 5-2178234-5 |
| 6 | 1C | 1B | BLACK | 5-2178234-4 |
| 6 | 1D, 3D | NONE | NATURAL | 5-2178234-3 |
| 6 | 3C | 1A | YELLOW | 5-2178234-2 |
| | 1C, 3C | NONE | GREEN | 2178234-1 |
| | KEYING FEATURE | POLARIZATION FEATURE | COLOR | PART NUMBER |



2178234-1 5-2178234-2 5-2178234-3 5-2178234-4 5-2178234-5

HEADER VIEWS

THIS DRAWING IS A CONTROLLED DOCUMENT. DWN M. DIDONATO 28MAR2018
 CHK F. LUPO 28MAR2018
 APVD R. ROBONE 28MAR2018

STE TE Connectivity

NAME HOUSING, RECEPT, POSI-LOCK MK III, 6.35 [.250] SERIES, 3 POSITION, 2 CIRCUIT

SIZE A2 CAGE CODE 00779 DRAWING NO C-2178234 RESTRICTED TO -

MATERIAL NYLON TOLERANCES UNLESS OTHERWISE SPECIFIED: 0 PLC ±, 1 PLC ±, 2 PLC ±0.25 [.010], 3 PLC ±, 4 PLC ±, ANGLES ±, FINISH ±

SEE TABLE WEIGHT -

CUSTOMER DRAWING SCALE 4:1 SHEET 1 OF 1 REV E1

Mouser Electronics

Authorized Distributor

Click to View Pricing, Inventory, Delivery & Lifecycle Information:

[TE Connectivity:](#)

[2178234-4](#)