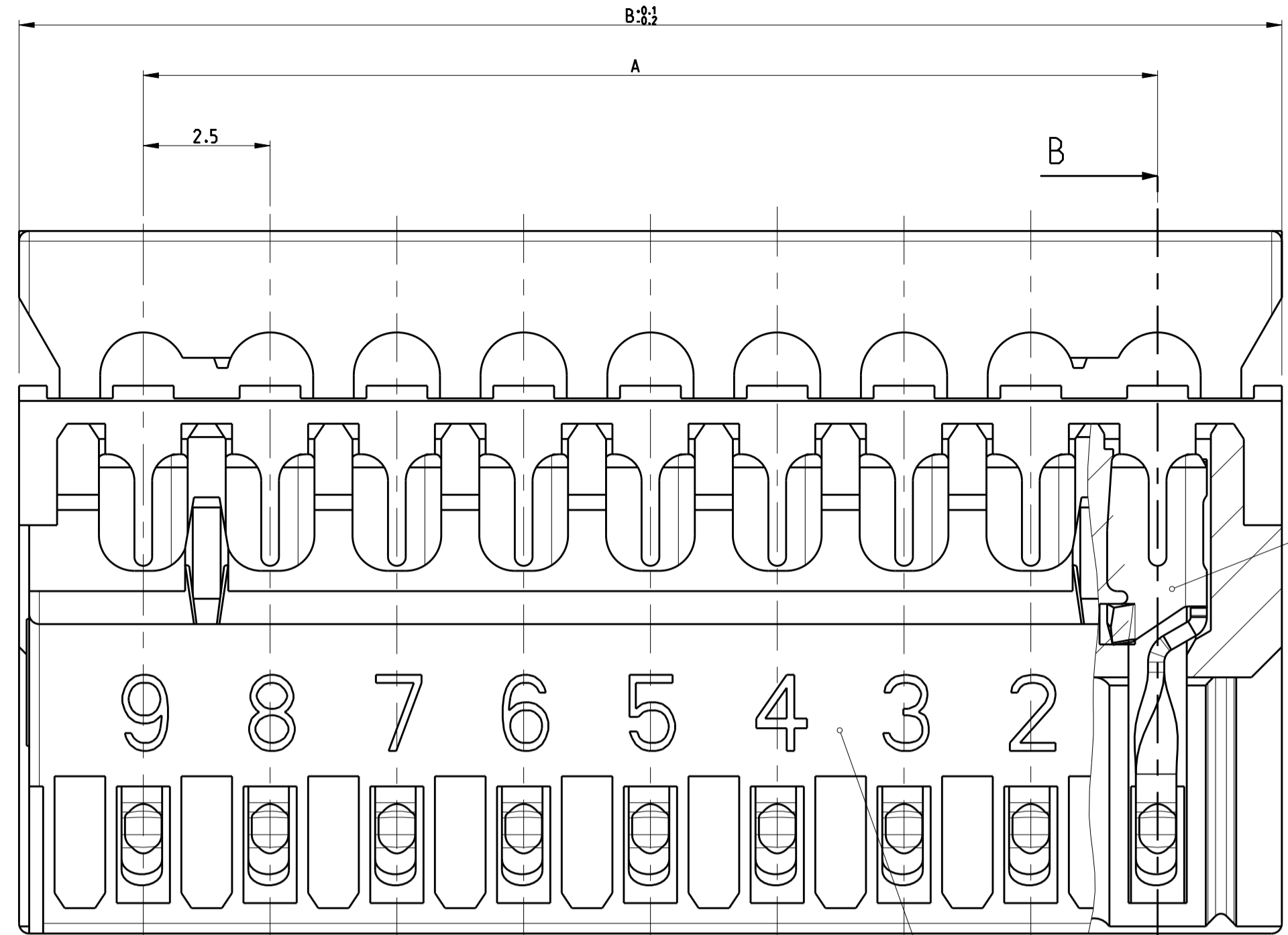
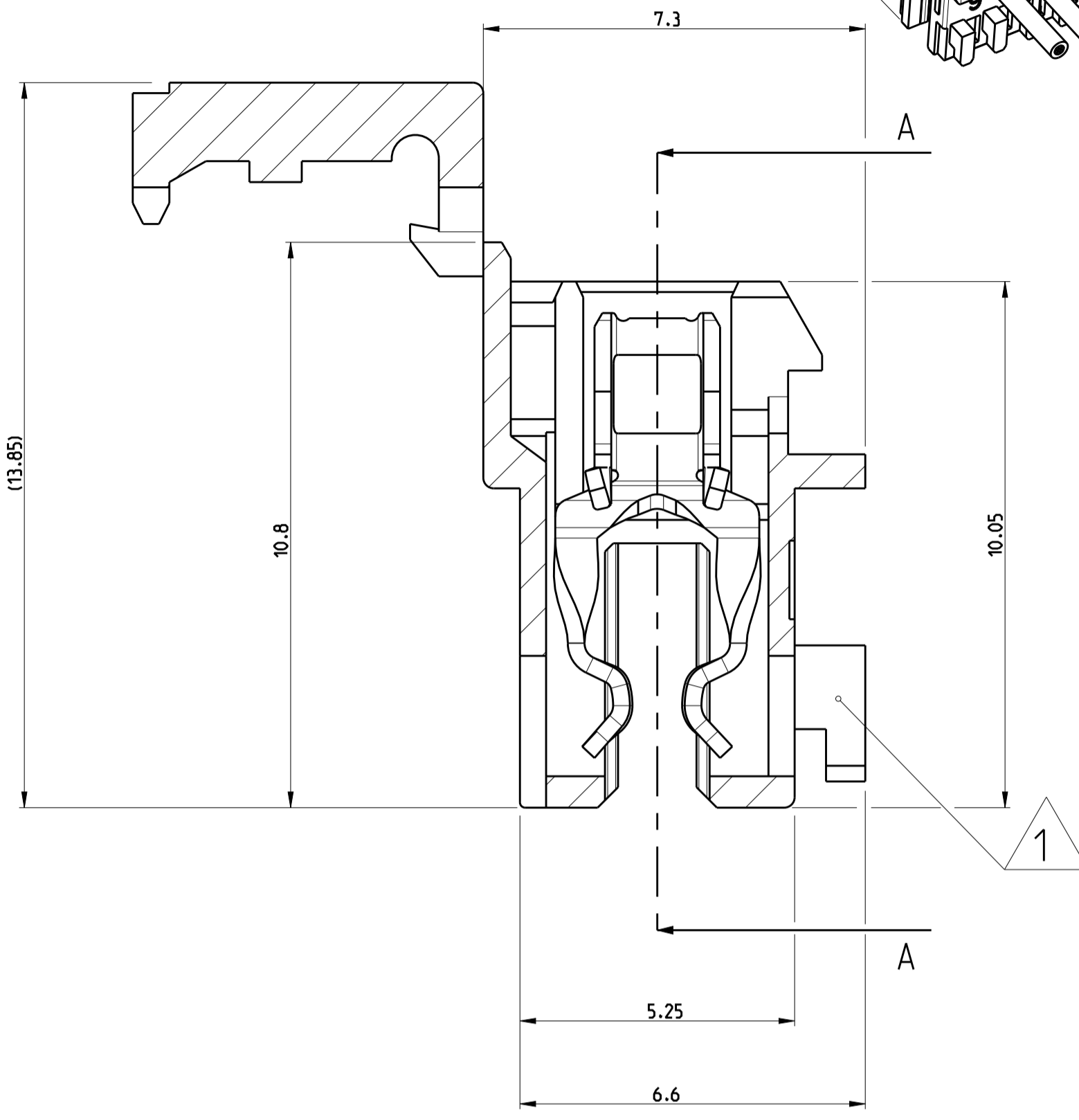


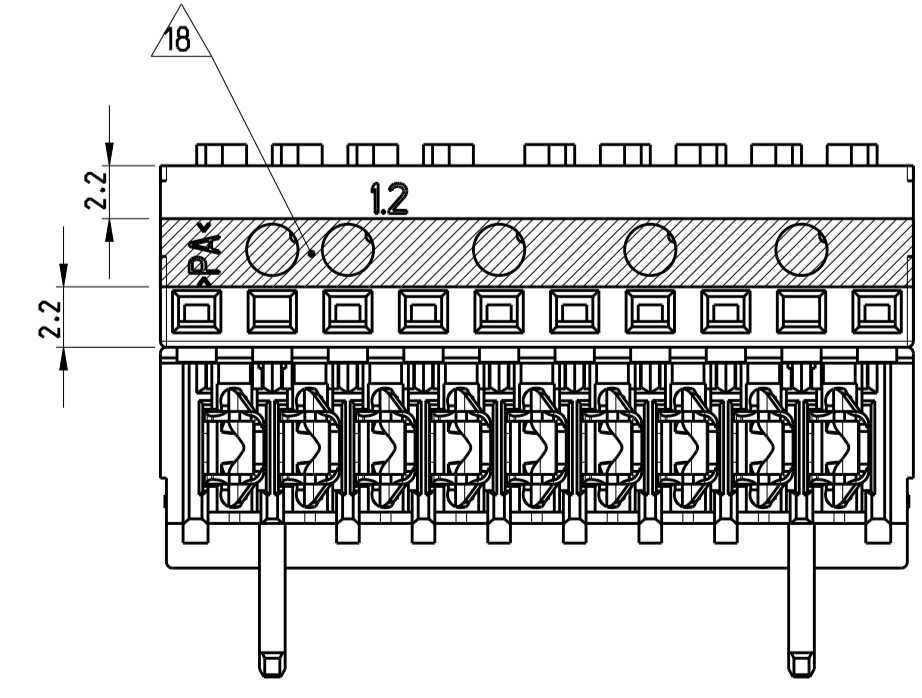
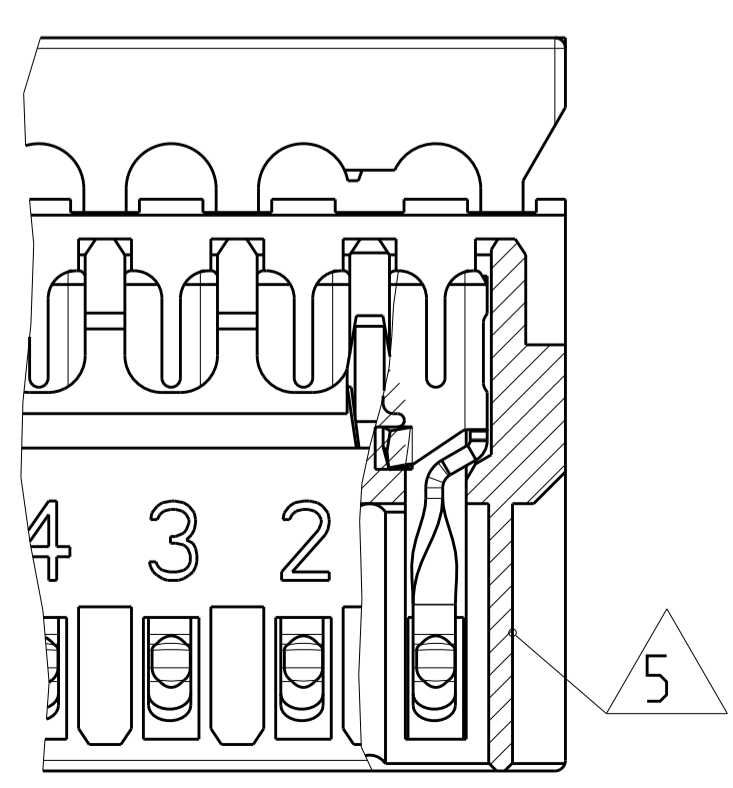
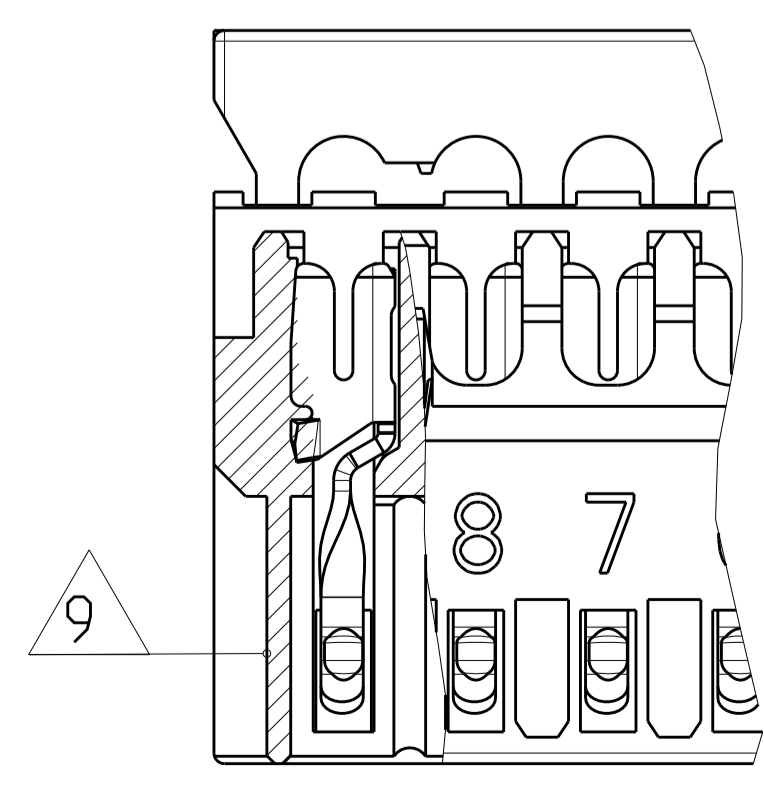
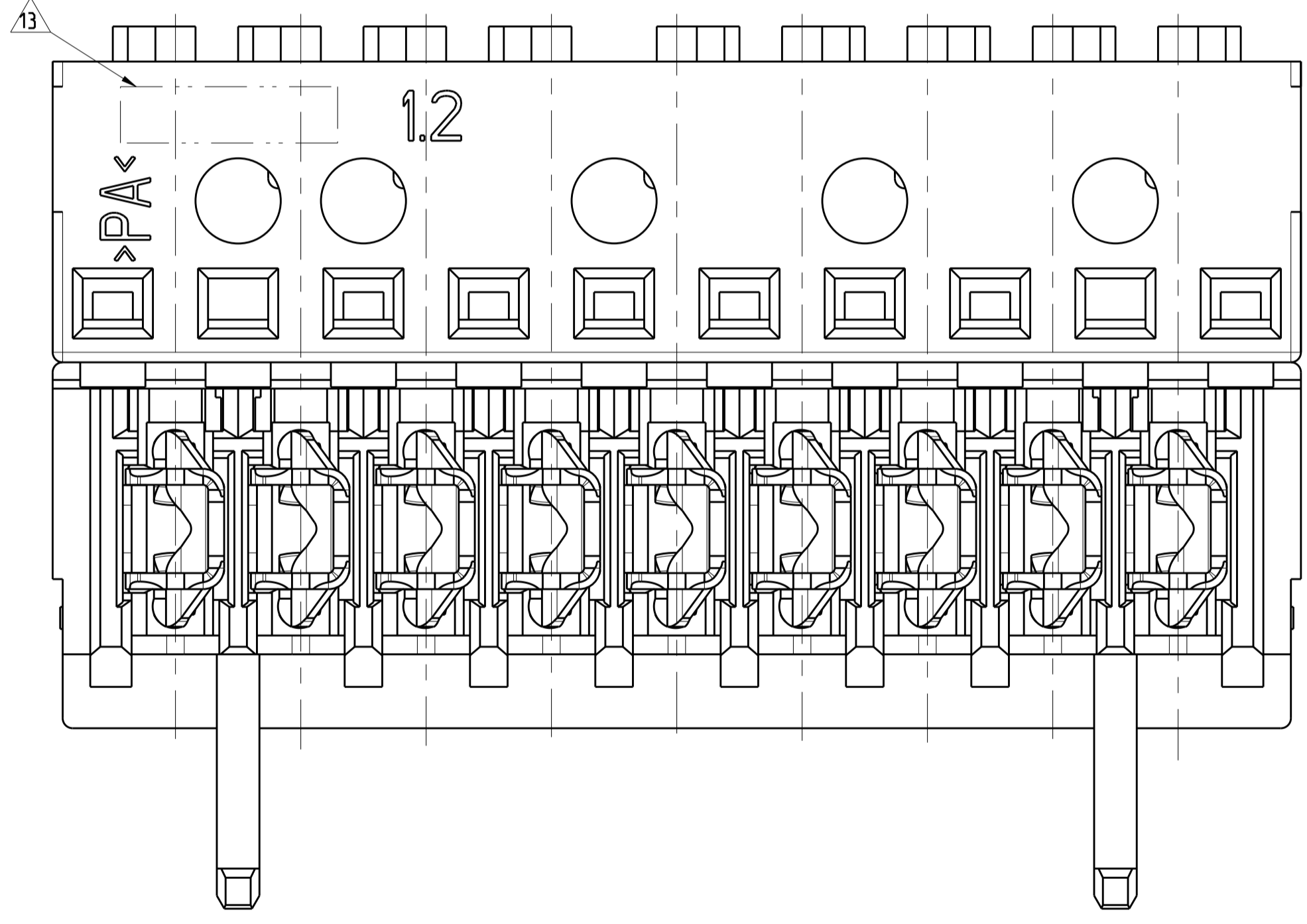
LOC	DIST	REVISIONS					
		P	LTR	DESCRIPTION	DATE	DWN	APVD
		D39		ECR-17-016310	07DEC2017	AL	RR
		D40		ECR-18-000958	06FEB2018	LZ	RR



SECTION A-A



SECTION B-B



- 25 WITH SPECIAL CHAIN FEATURE
- 24 SIDE KEYING ON LAST CAVITY. THICK-1.5mm
- 23 -
- 19 SIDE KEYING. THICK. ON CAVITY No.1
- 18 COLOR MARKING IN THIS AREA. COLOR SEE TABLE
- 17 SLOT FOR KEYING. SLIM. BETWEEN POSITION
- 16 SLOT FOR KEYING. THICK. BETWEEN POSITION
- 15 KEYING. THICK. BETWEEN POSITION
- 14 COLOR CODE
- 13 TE LOGO
- 12 PRELIMINARY PART NOT RELEASED FOR PRODUCTION
- 11 KEYING. SLIM. BETWEEN POSITION
- 10 SLOT FOR SIDE KEYING. ON LAST CAVITY
Schlitz fuer Seitenkodierung, an letzter Kammer
- 9 SIDE KEYING. SLIM. ON LAST CAVITY
Seitenkodierung, an letzter Kammer
- 8 INCLUSIVE COPPER CLOADING
Inklusive Kupferkaschierung
- 7 PCB PREFERABLY CHAMFERED
Leiterplatte vorzugsweise angefast
- 6 SLOT FOR SIDE KEYING. ON CAVITY NO 1
Schlitz fuer Seitenkodierung, an Kammer 1
- 5 SIDE KEYING. ON CAVITY NO. 1
Seitenkodierung, an Kammer Nr. 1
- 4 WIRE RANGE: 0.22-0.35mm² SEE APPLICATION SPEC. 114-18467
Drahtgroesse/Bereich: 0.22-0.35mm² siehe Verarbeitungsspec. 114-18467
- 3 IEC60695-2-11 / IEC60335-1 GLOW WIRE TEST 750 °C WITHOUT FLAME
IEC60695-2-11 / IEC60335-1 Gluehdrahttest 750 °C ohne Flamme
- 2 MATING PART: PCB (WITH FRAMES ACC. RAST 2.5 E.G. PN 964 575/576)
TABHEADER PN 829 866/867
Passender Gegenstecker: Leiterplatten (mit Rahmen nach RAST 2.5 z.B. 964 575/576) Tabwannen Nr. 829 866/867
- 1 KEYING RIBS; CUTTING WITH TERMINATION MACHINE POSSIBLE
Kodierrippe; Schneiden auf der Verarbeitungsmaschine moeglich

THIS DRAWING IS A CONTROLLED DOCUMENT. DWN H. Karabiyik 24MAY2002
CHK B. Schnaubel 24MAY2002
APVD T. Klenner 24MAY2002

DIMENSIONS:	TOLERANCES UNLESS OTHERWISE SPECIFIED:	NAME	TE Connectivity
mm	0 PLC ±0.2 1 PLC ±0.2 2 PLC ±0.2 3 PLC ±0.2 4 PLC ±0.2 ANGLES ±°	PRODUCT SPEC	AMP DUOPLUG 2.5 MARK II
		APPLICATION SPEC	FEMALE CONNECTOR 2-20 POSITION
MATERIAL	FINISH	SIZE	CAGE CODE DRAWING NO RESTRICTED TO
-	-	A1 00779 C=1534796	1 of 4
Customer Drawing		SCALE	5:1 SHEET 1 of 4

LOC	DIST	REVISIONS					
		P	LTN	DESCRIPTION	DATE	DNW	APVD
A1	-			SEE SHEET SHEET 1			

PART NUMBERS LOADED WITH TIN PLATED CONTACTS (2-9 POSITION)

SL NO	PN	DESCRIPTION	MATERIAL	COLOUR/FINISH		
9	20	24.9		4/5	2-1534796-9	
9	20	24.9			3-1534796-9	
9	20	24.9	X	3/4	4-1534796-9	
Brown	8	17.5	22.4	2/3	9-1534796-8	
	8	17.5	22.4	X	3/4	8-1534796-8
	8	17.5	22.4		3/4	7-1534796-8
	8	17.5	22.4		3/4	6-1534796-8
	8	17.5	22.4		X	5-1534796-8
	8	17.5	22.4			3-1534796-8
	8	17.5	22.4		5/6	2-1534796-8
	7	15	19.9	2/3	7-1534796-7	
BLUE	7	15	19.9	2/3	6-1534796-7	
BLUE	7	15	19.9	X	2/3	4-1534796-7
	7	15	19.9		5/6	5-1534796-7
	7	15	19.9			3-1534796-7
	6	12.5	17.4	2/3	X	9-1534796-6
	6	12.5	17.4		1/2	8-1534796-6
	6	12.5	17.4		3/4	7-1534796-6
	6	12.5	17.4		2/3	6-1534796-6
BLUE	6	12.5	17.4	4/5	2-1534796-6	
	6	12.5	17.4	4/5	5-1534796-6	
	6	12.5	17.4		X	4-1534796-6
	6	12.5	17.4			3-1534796-6
	5	10	14.9	4/5	8-1534796-5	
	5	10	14.9	1/2	9-1534796-5	
	5	10	14.9	1/2	4-1534796-5	
GREEN	5	10	14.9	3/4	7-1534796-5	
BROWN	5	10	14.9	2/3	6-1534796-5	
	5	10	14.9		X	5-1534796-5
	5	10	14.9			3-1534796-5
BROWN	5	10	14.9	1/2	0-1534796-5	
	4	7.5	12.4		X	0-2825353-4
RED	4	7.5	12.4			9-1534796-4
BLACK	4	7.5	12.4	2/3	8-1534796-4	
BLACK	4	7.5	12.4	X	2/3	2-1534796-4
BLACK	4	7.5	12.4		3/4	5-1534796-4
	4	7.5	12.4		1/2	6-1534796-4
	4	7.5	12.4	X	1/2	1534796-4
	4	7.5	12.4		3/4	7-1534796-4
	4	7.5	12.4		X	4-1534796-4
	4	7.5	12.4			3-1534796-4
RED	3	5	9.9	2/3	2-1534796-3	
	3	5	9.9		X	8-1534796-3
RED	3	5	9.9	2/3	9-1534796-3	
	3	5	9.9	2/3	6-1534796-3	
	3	5	9.9	1/2	7-1534796-3	
	3	5	9.9	2/3	X	4-1534796-3
	3	5	9.9			3-1534796-3
	2	2.5	7.4	1/2	1-1534796-2	
	2	2.5	7.4			1534796-2

PART NUMBERS LOADED WITH TIN PLATED CONTACTS (10-20 POSITION)

SL NO	PN	DESCRIPTION	MATERIAL	COLOUR/FINISH		
20	47.5	52.4		3-1534797-0		
19	45	49.9		5-1534797-9		
19	45	49.9		4-1534797-9		
19	45	49.9		3-1534797-9		
16	37.5	42.4		3-1534797-6		
15	35	39.9		3-1534797-5		
14	32.5	37.4		3-1534797-4		
13	30	34.9		3-1534797-3		
12	27.5	32.4	11/12	5-1534797-2		
12	27.5	32.4		X	4-1534797-2	
12	27.5	32.4			3-1534797-2	
12	27.5	32.4	X	X	10/11	2-1534797-2
11	25	29.9	5/6		7-1534797-1	
11	25	29.9	10/11		6-1534797-1	
11	25	29.9	10/11	X	5-1534797-1	
11	25	29.9	9/10		4-1534797-1	
11	25	29.9			3-1534797-1	
10	22.5	27.4	2/3		6-1534796-0	
10	22.5	27.4	8/9		4-1534796-0	
10	22.5	27.4			3-1534796-0	
10	22.5	27.4	7/8		7-1534796-0	

PART NUMBERS LOADED WITH SILVER PLATED CONTACTS

SL NO	PN	DESCRIPTION	MATERIAL	COLOUR/FINISH
20	47.5	52.4		1-2319614-0
13	30	34.9		2319614-3
9	20	24.9		2319613-9
6	12.5	17.4		2319613-6
2	2.5	7.4		2319613-2

THIS DRAWING IS A CONTROLLED DOCUMENT.

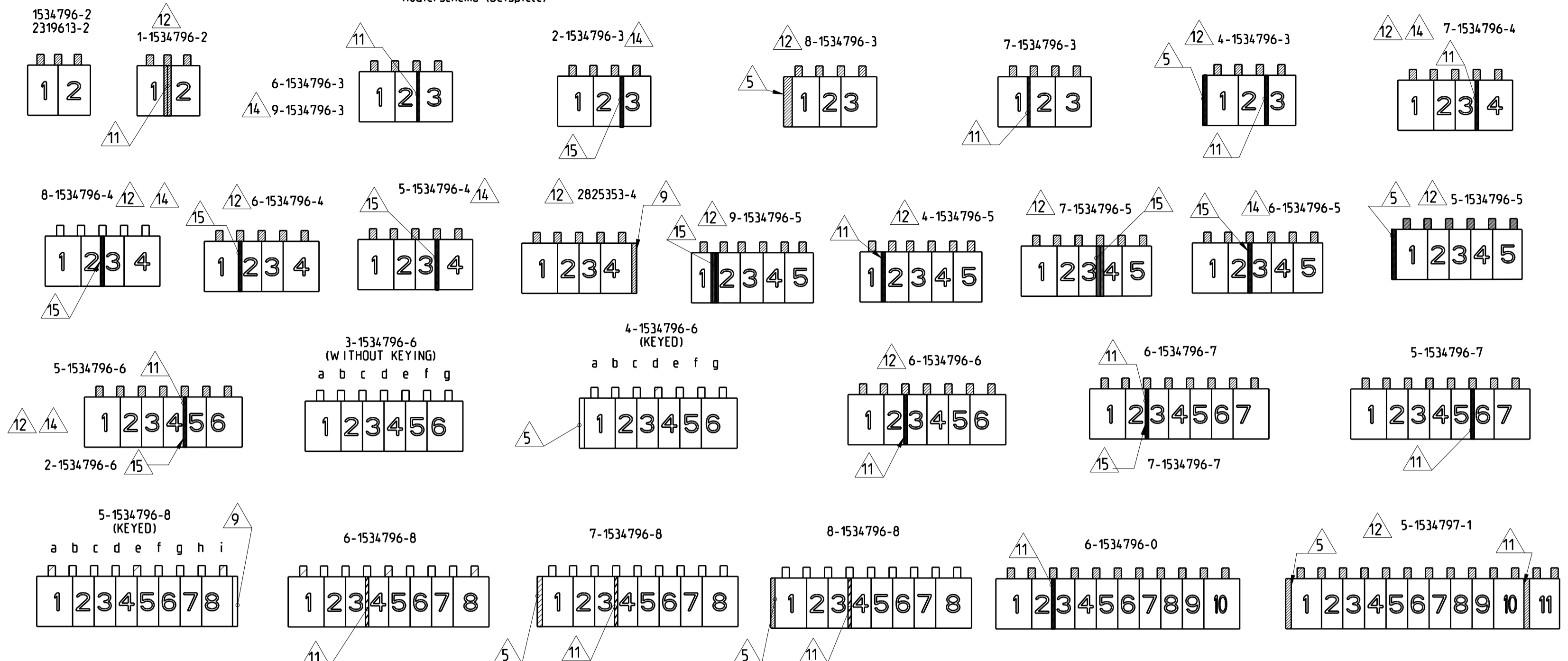
DIMENSIONS: mm
 TOLERANCES UNLESS OTHERWISE SPECIFIED:
 0 PLC ±0.2
 1 PLC ±0.2
 2 PLC ±0.2
 3 PLC ±0.2
 4 PLC ±0.2
 ANGLES FINISH ±1°

DWN: H. Karabiyik 24MAY2002
 CHK: B. Schnaubel 24MAY2002
 APVD: T. Klenner 24MAY2002

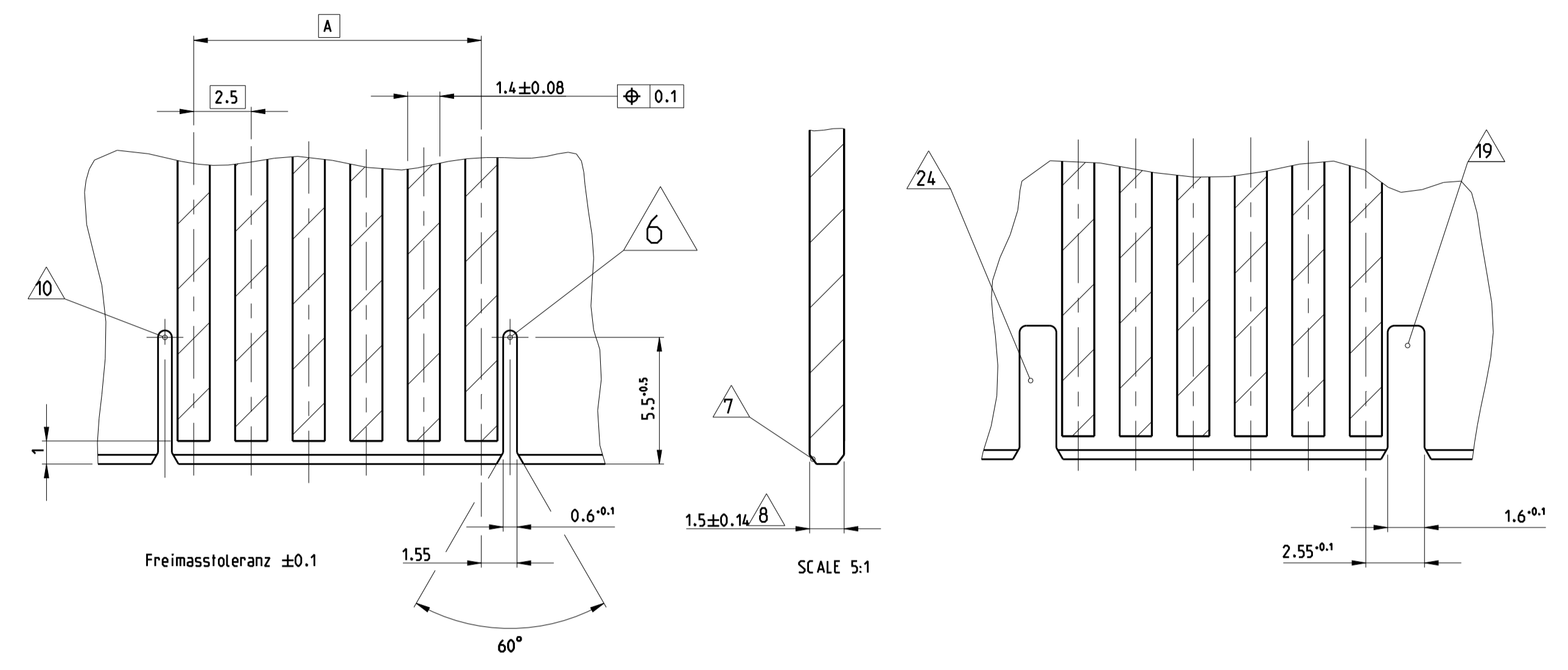
STE TE Connectivity
 NAME: AMP DUOPLUG 2.5 MARK II FEMALE CONNECTOR 2-20 POSITION
 SIZE: A1 CAGE CODE: 00779 DRAWING NO: C-1534796
 WEIGHT: 116-18467
 RESTRICTED TO: -
 Customer Drawing SCALE: 5:1 SHEET: 2 OF 4

LOC	DIST	REV	DESCRIPTION	DATE	DRW	APVD
A1	-	-	SEE SHEET 1	-	-	-

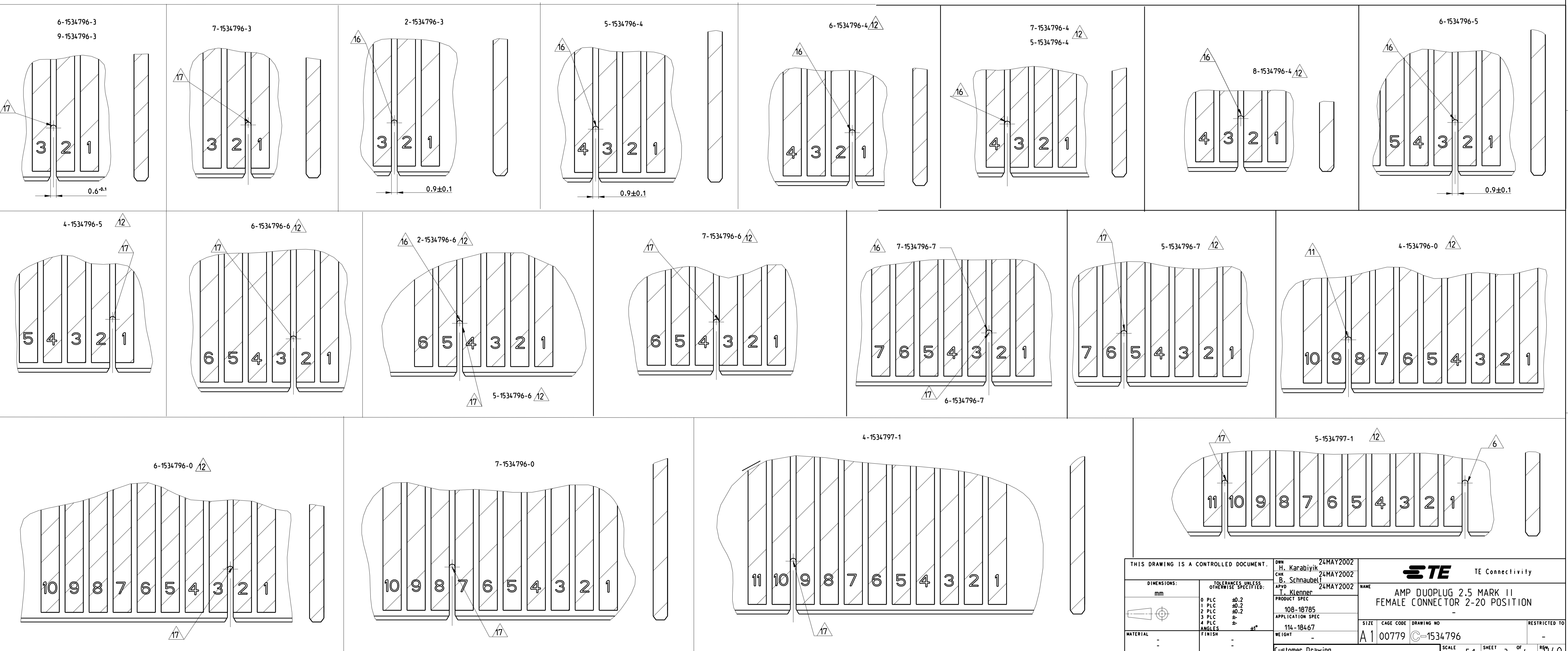
KEYING PLAN (EXAMPLES)
 Kodierschema (Beispiele)



PCB LAYOUT KEYED / CONNECTED ONLY WITH ADDITIONAL FRAME
 Leiterplattenanschluss kodiert / nur in Verbindung mit zusätzlichem Rahmen



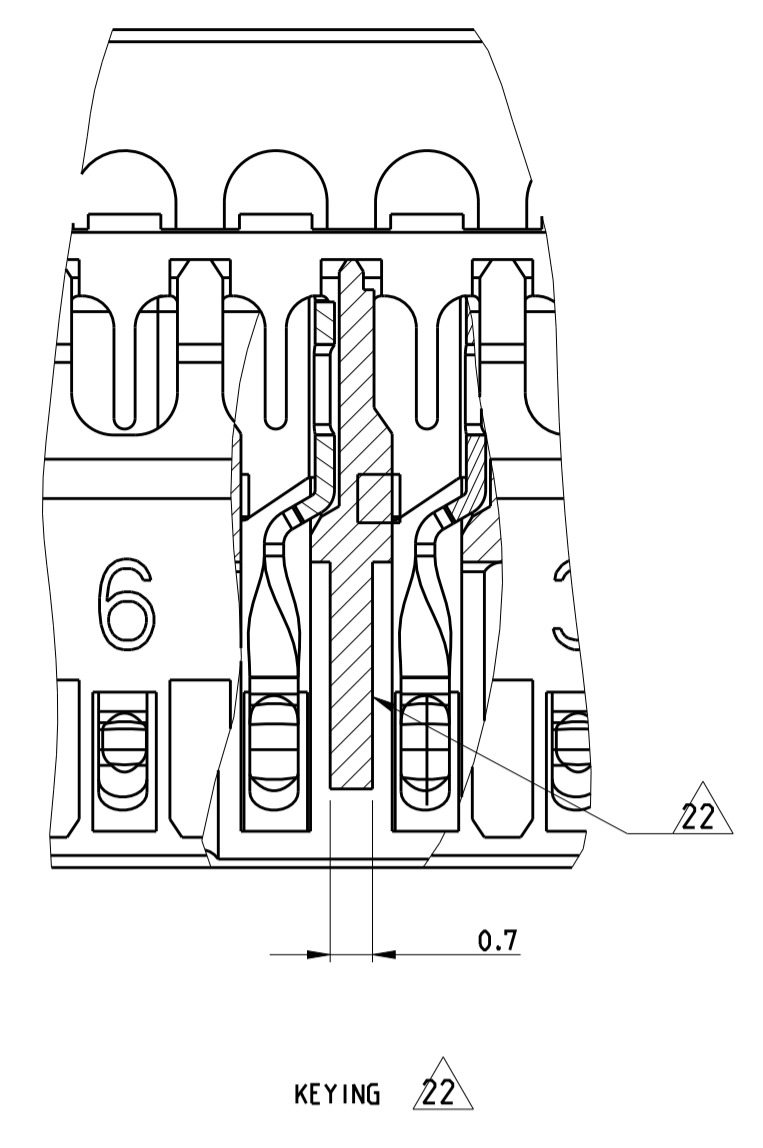
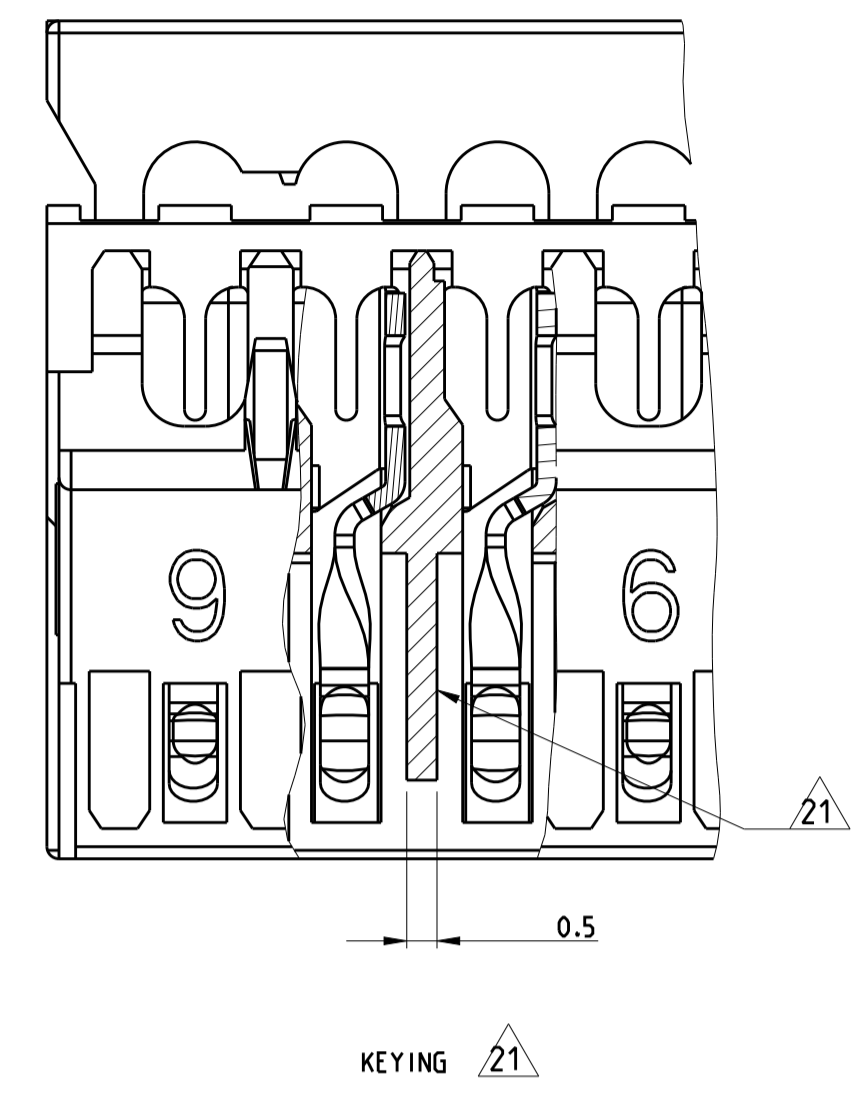
PCB LAYOUT FOR KEYING BETWEEN POSITION



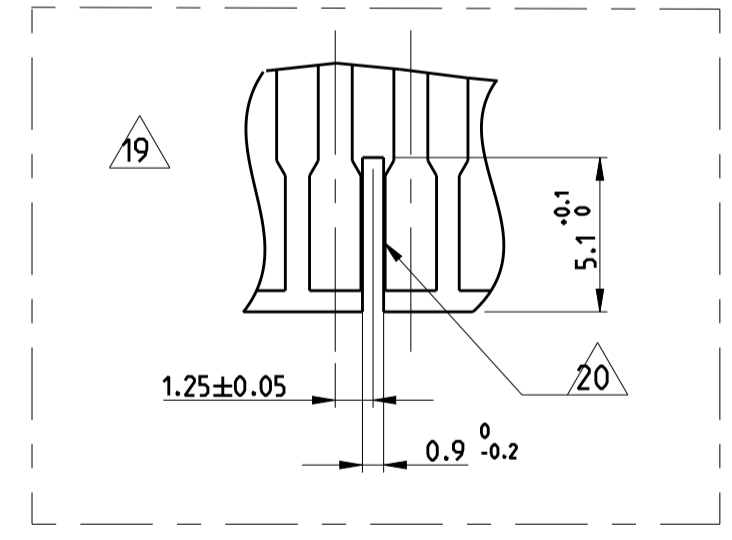
THIS DRAWING IS A CONTROLLED DOCUMENT.

DIMENSIONS:	TOLERANCES UNLESS OTHERWISE SPECIFIED:	OWN: H. Karabiyik 24MAY2002	TE Connectivity
mm	0 PLC ±0.2	CHK: B. Schnaubel 24MAY2002	NAME: AMP DUOPLUG 2.5 MARK 11 FEMALE CONNECTOR 2-20 POSITION
	1 PLC ±0.2	APPD: T. Klenner 24MAY2002	SIZE: CAGE CODE DRAWING NO. RESTRICTED TO
	2 PLC ±0.2		A1 00779 C=1534796
	3 PLC ±0.2		SCALE: 5:1 SHEET 3 OF 4
	4 PLC ±0.2		Customer Drawing
MATERIAL:	ANGLES	WEIGHT	U40
	FINISH		

LOC	DIST	REVISIONS					
		P	LTR	DESCRIPTION	DATE	DWN	APVD
A1	-	-	-	SEE SHEET 1	-	-	-



- 22 KEYING. SPECIAL THICK. BETWEEN POSITION
- 21 KEYING. SPECIAL THIN. BETWEEN POSITION
- 20 SLOT FOR KEYING SPECIAL. BETWEEN POSITION
- 19 RECOMMENDED PCB CUTOFF DIMENSION FOR THE KEYING SPECIAL. BETWEEN POSITION



GWT 750C AND UL VO VERSION									
Color Code	POS. Polzahl	DIM A	DIM B	11 KEYING	15 KEYING	22 KEYING	21 KEYING	5 KEYING	PN Bestell-Nr.
	14	32.5	37.4						2304526-4 12
	12	27.5	32.4						2304526-2 12
	10	22.5	27.4						1-2304525-0 12
Blue	8	17.5	22.4	-	-	-	-		2-2304525-8 12
	8	17.5	22.4	-	-	-	-		1-2304525-8 12
Brown	8	17.5	22.4	-	-	-	2/3		2304525-8 12
	7	15	19.9	-	-	-	-		2304525-7 12
Black	6	12.5	17.4	-	-	-	-		4-2304525-6 12
Red	6	12.5	17.4	-	-	-	2/3		2-2304525-6 12
	6	12.5	17.4	-	-	-	-		1-2304525-6 12
Blue	6	12.5	17.4	-	-	-	4/5		2304525-6 12
	5	10	14.9		1/2	-	-		4-2304525-5 12
	5	10	14.9	-	-	-	-		3-2304525-5 12
Green	5	10	14.9	-	-	-	3/4		2-2304525-5 12
Brown	5	10	14.9	-	-	-	2/3		1-2304525-5 12
	5	10	14.9	-	-	-	-		2304525-5 12
Black	4	7.5	12.4	-	3/4	-	-		4-2304525-4 12
Blue	4	7.5	12.4	-	-	-	-		3-2304525-4 12
	4	7.5	12.4	-	-	-	-		2-2304525-4 12
Brown	4	7.5	12.4	-	-	-	1/2		1-2304525-4 12
Black	4	7.5	12.4	-	-	-	3/4		2304525-4 12
	3	5	9.9					X	2-2302525-3 12
	3	5	9.9	-	-	-	-		1-2304525-3 12
Black	3	5	9.9	-	-	1/2	-		2304525-3 12

THIS DRAWING IS A CONTROLLED DOCUMENT. DWN H. Karabiyik 24MAY2002
 CHK B. Schnaubel 24MAY2002
 APVD T. Klenner 24MAY2002

TE Connectivity

NAME AMP DUOPLUG 2.5 MARK II FEMALE CONNECTOR 2-20 POSITION

PRODUCT SPEC 108-18785
 APPLICATION SPEC 116-18467

SIZE CAGE CODE DRAWING NO RESTRICTED TO
 A1 00779 C=1534796 -

MATERIAL - FINISH - WEIGHT -
 Customer Drawing SCALE 5:1 SHEET 4 OF 4 REV 040

Mouser Electronics

Authorized Distributor

Click to View Pricing, Inventory, Delivery & Lifecycle Information:

[TE Connectivity:](#)

[3-1534796-7](#)