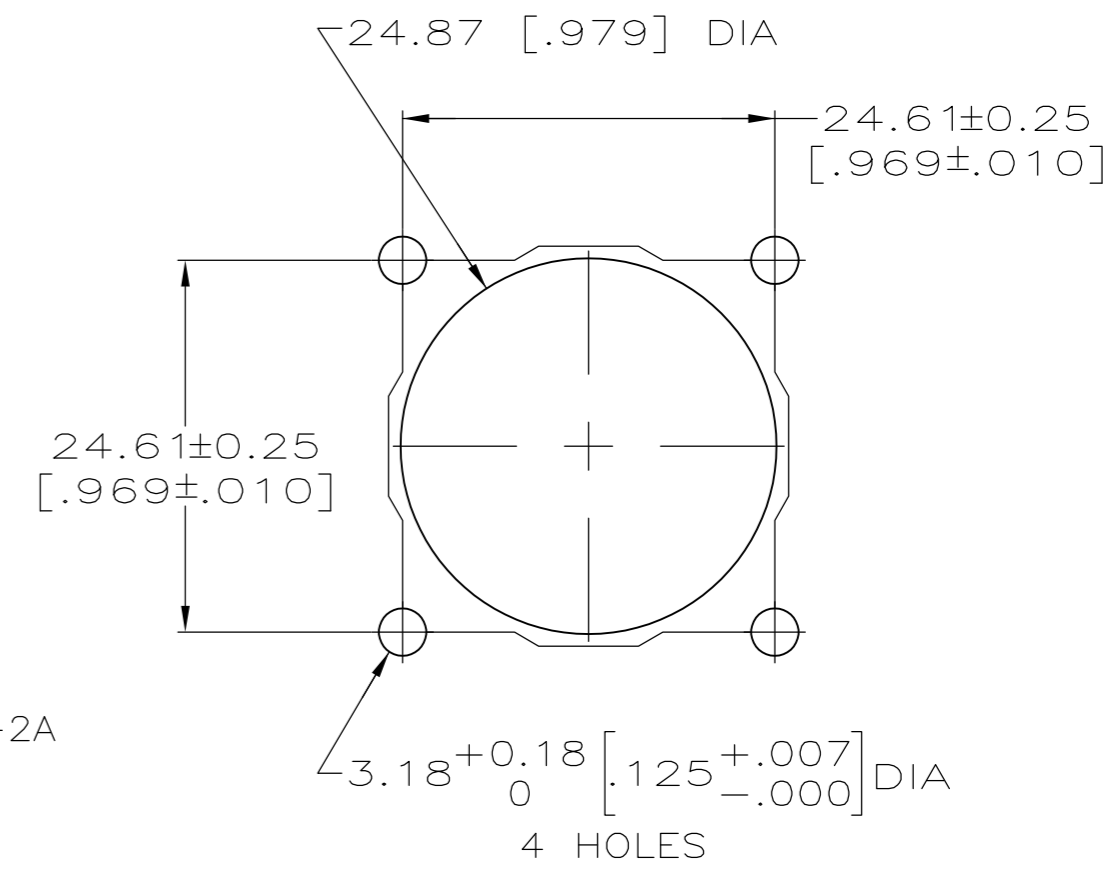
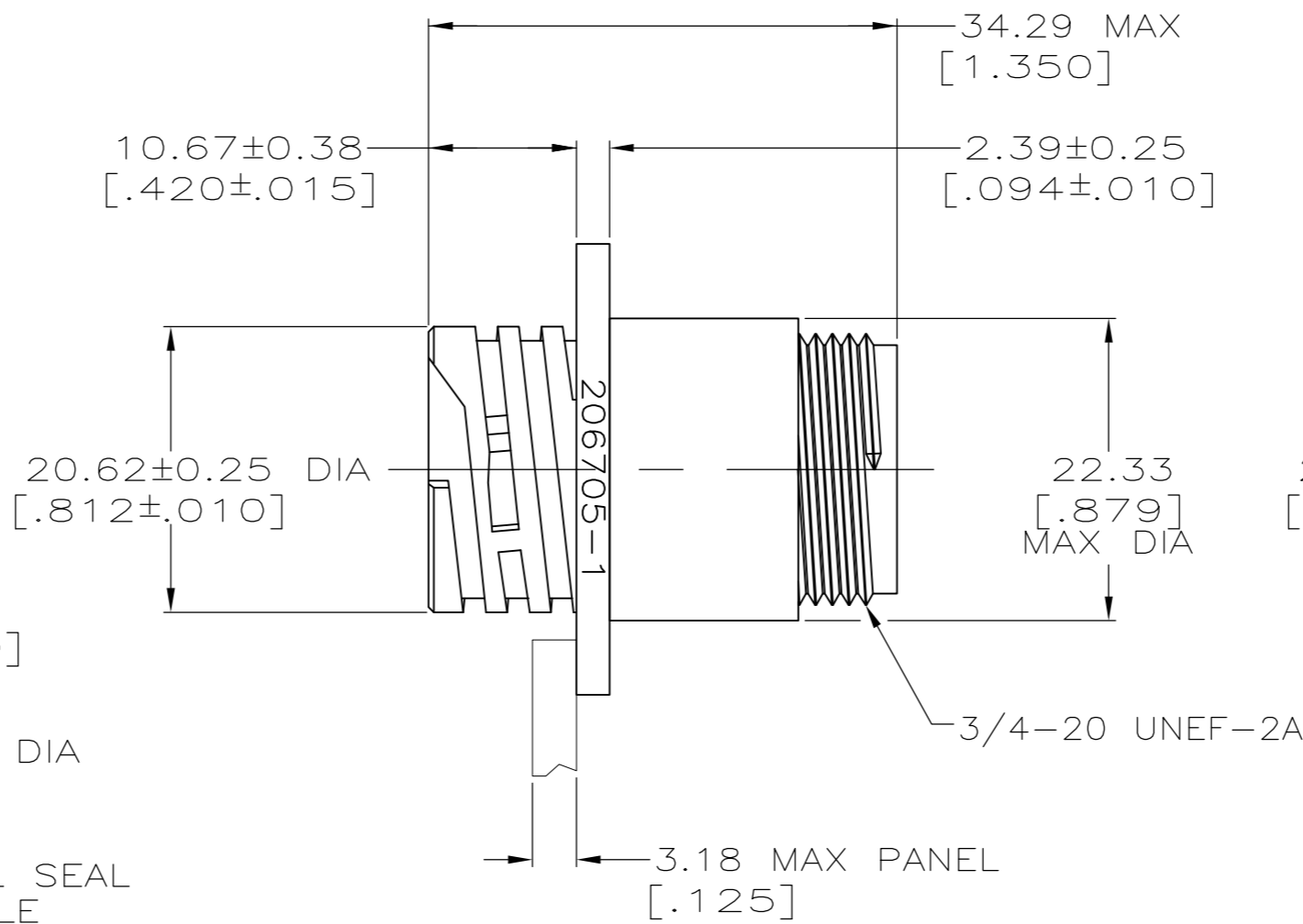
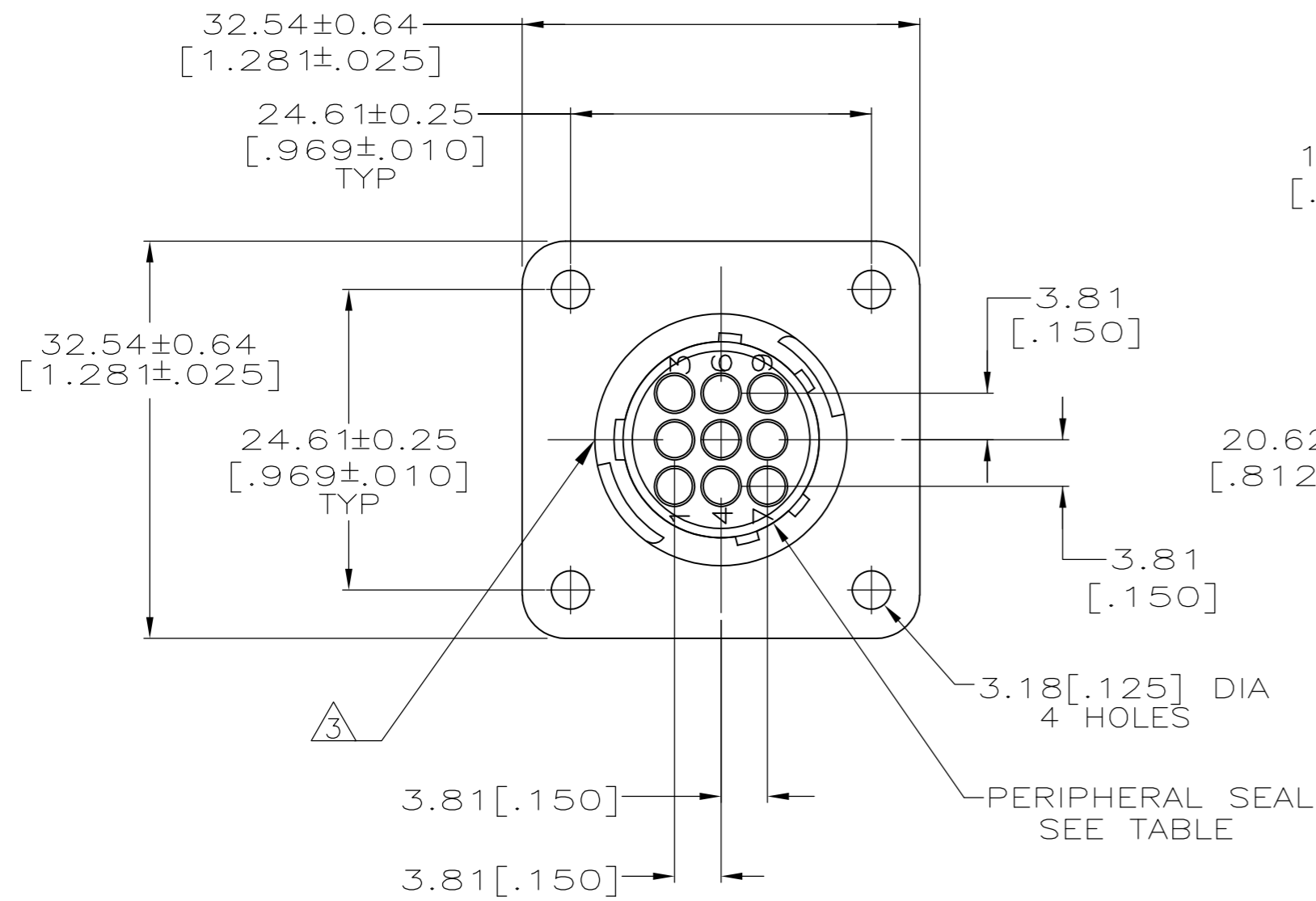


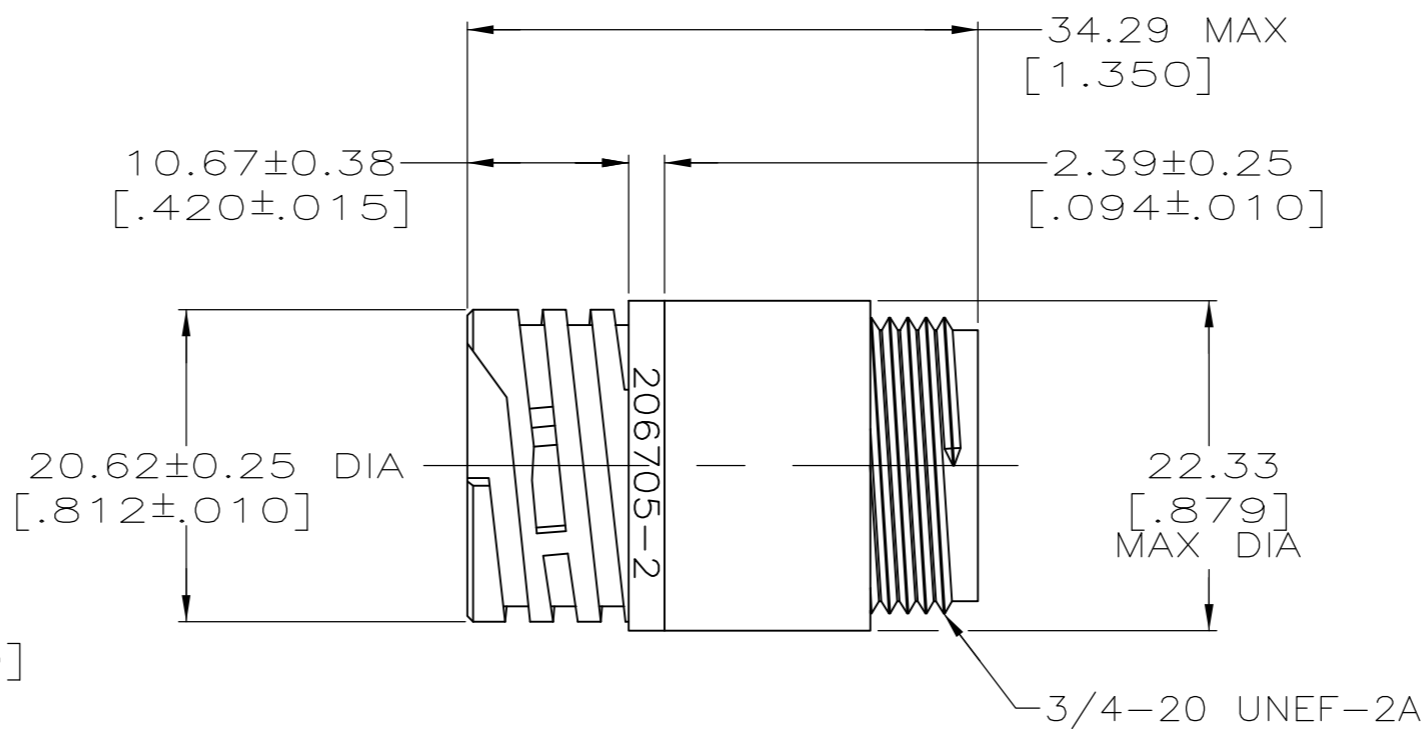
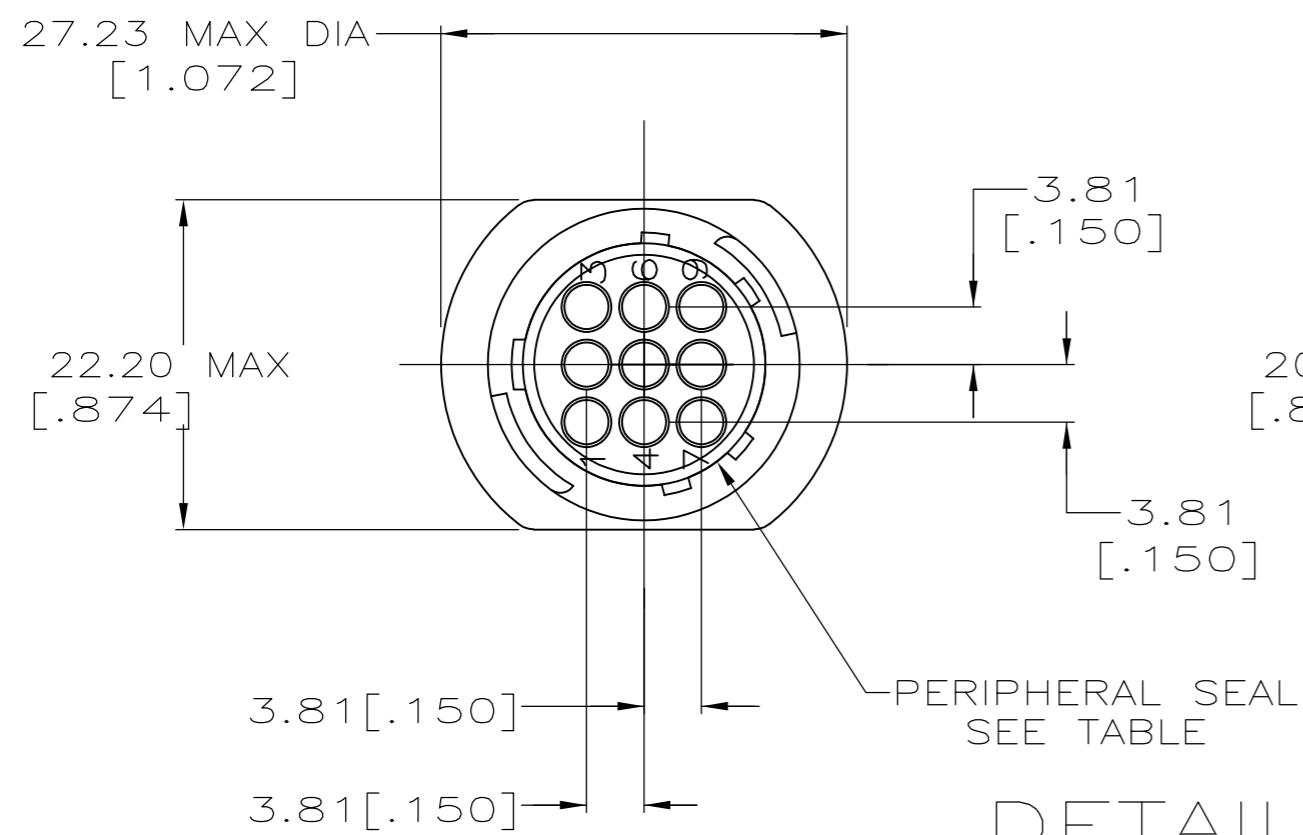
THIS DRAWING IS UNPUBLISHED. RELEASED FOR PUBLICATION
 © COPYRIGHT - By - ALL RIGHTS RESERVED.

REVISIONS				
P	LTR	DESCRIPTION	DATE	APVD
M		REVISED PER ECO-12-015521	28SEP12	KH MZ
N		REVISED PER ECO-17-000037	10MAR2017	RS MZ



DETAIL A

RECOMMENDED PANEL CUTOUT



DETAIL B

4	3	NO	A	206705-5
		YES	B	206705-4
		YES	A	206705-3
		NO	B	206705-2
		NO	A	206705-1
NOTES	PERIPHERAL SEAL	SEE DETAIL	PART NUMBER	

- 1 CAVITY IDENTIFICATION ON FRONT AND REAR FACE.
- 2 RECEPTACLE WILL ACCEPT NINE (9) MULTIMATE PIN CONTACTS.
- 3 WHITE DOT OVER MAJOR KEY, APPROX WHERE SHOWN.
- 4 OBSOLETE PART NUMBER.

THIS DRAWING IS A CONTROLLED DOCUMENT. DWN D.HARDY 05/19/94
 CHK R.STONE 05/20/94

DIMENSIONS: MM [INCHES] TOLERANCES UNLESS OTHERWISE SPECIFIED:

0 PLC	± -
1 PLC	± -
2 PLC	± 0.13 [.005]
3 PLC	± -
4 PLC	± -
ANGLES	± -
FINISH	-

MATERIAL: NYLON, BLACK

PRODUCT SPEC: 108-10024
 APPLICATION SPEC: -

WEIGHT: -

CUSTOMER DRAWING

TE Connectivity

RECEPTACLE HOUSING, STANDARD SEX, SHELL SIZE 13, CPC

SIZE: A2 CAGE CODE: 00779 DRAWING NO: C-206705 RESTRICTED TO: -

SCALE: 2:1 SHEET: 1 of 1 REV: N

Mouser Electronics

Authorized Distributor

Click to View Pricing, Inventory, Delivery & Lifecycle Information:

[TE Connectivity:](#)

[206705-2](#)