

IEC Appliance Outlet F, Snap-in Mounting, Front Side, IDC Terminal



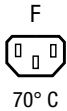
Arrangement "cross"
 (wires cross to pin axis)



Arrangement "along", view from rear side
 (wires along to pin axis)



Type 6610-5 with integrated Light Pipe



See below:
[Approvals and Compliances](#)

Description

- Panel mount :
 Snap-in version , from front side
- Connector , Pin temperature 70 °C , Protection class I
- Wire gauge 1-1.5mm²/1.5mm²/2.5mm²/14AWG/12AWG
- IDC terminals acc. to IEC 60998-2-3 for solid wires

Unique Selling Proposition

- IDC terminals for efficient wiring
- Significant reduces labor costs
- Cross and along orientation
- Ideal for PDU applications

Characteristics

- Protection cover can be used as wire press
- Live contact available as IDC, solder or quick connect terminal
- Suitable for use in equipment according to IEC/UL 62368-1

Other versions on request

- UL approval for AWG 16

References

Alternative: version for 16 A (20 A) [4710](#)
 Alternative: version with integrated light pipes [6610-5](#)

Weblinks

[pdf data sheet](#), [html datasheet](#), [General Product Information](#), [Approvals](#), [Distributor-Stock-Check](#), [Accessories](#), [Mounting instruction](#), [Detailed request for product](#), [Landing Page](#), [Video](#)

Newly available variants corresponding to V-Lock mating cordset. The connector is equipped with a notch intended for use with the latching cordset. The cord latching system prevents against accidental removal of the cordset.

Technical Data

Ratings IEC	10A / 250VAC; 50Hz	Appliance inlet/-outlet	F acc. to IEC 60320-3
Ratings UL/CSA	15A / 250VAC; 60Hz		UL 60320-1, CSA C22.2 no. 60320-1
Allowable Operation Temperature	-25 °C to 70 °C		(for cold conditions) pin-temperature 70 °C, 10A, Protection Class I
IP-Protection	from front side IP40 acc. to IEC 60529		
Protection against electric shock	Suitable for appliances with protection class I acc. to IEC 61140		
Terminal	IDC terminals		
Panel Thickness S	Snap-in, 0.8/1/1.2/1.5/2/2.5/3.0 mm (other on request)		
Material: Housing	Thermoplastic, black, UL 94V-0		

Approvals and Compliances

Detailed information on product approvals, code requirements, usage instructions and detailed test conditions can be looked up in [Details about Approvals](#)

SCHURTER products are designed for use in industrial environments. They have approvals from independent testing bodies according to national and international standards. Products with specific characteristics and requirements such as required in the automotive sector according to IATF 16949, medical technology according to ISO 13485 or in the aerospace industry can be offered exclusively with customer-specific, individual agreements by SCHURTER.

Approvals





The approval mark is used by the testing authorities to certify compliance with the safety requirements placed on electronic products.

Approval Reference Type: 6610

Approval Logo	Certificates	Certification Body	Description
	VDE Approvals	VDE	Certificate Number: 40035679
	UL Approvals	UL	UL File Number: E103791
	CCC Approvals	CCC	CCC Certificate Number: 2010010204418560


Product standards

Product standards that are referenced

Organization	Design	Standard	Description
	Designed according to	IEC 60320-1	Appliance couplers for household and similar general purposes
	Designed according to	IEC 60320-3	Appliance couplers for household and similar general purposes
	Designed according to	UL 60320-1	Standard for Attachment Plugs and Receptacles
	Designed according to	CSA C22.2 no. 60320-1	General Use Receptacles, Attachment Plugs, and Similar Wiring Devices






Application standards

Application standards where the product can be used

Organization	Design	Standard	Description
	Designed for applications acc.	IEC/UL 62368-1	IEC 62368-1 includes the basic requirements for safety of audio, video, information technology and office equipment.

Compliances

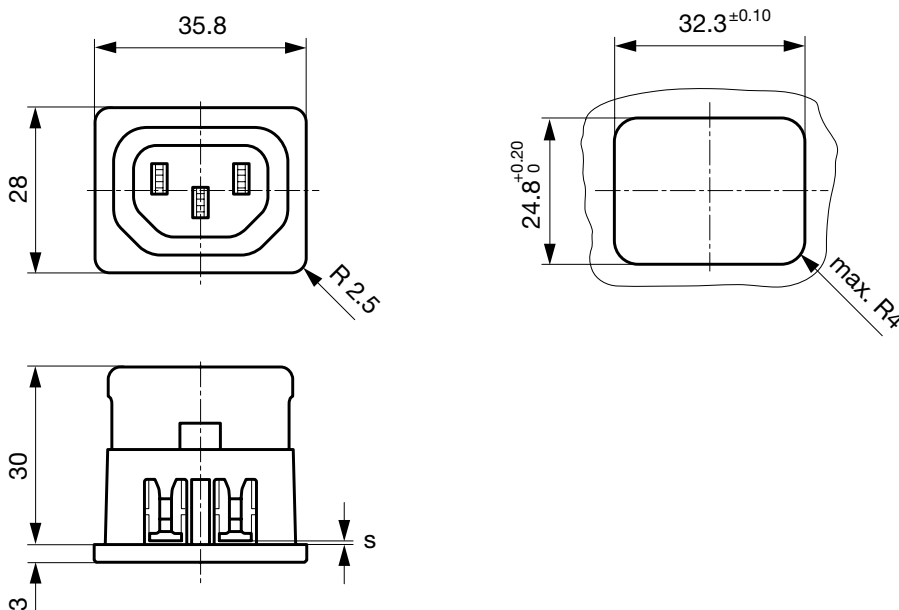
The product complies with following Guide Lines

Identification	Details	Initiator	Description
	CE declaration of conformity	SCHURTER AG	The CE marking declares that the product complies with the applicable requirements laid down in the harmonisation of Community legislation on its affixing in accordance with EU Regulation 765/2008.
	RoHS	SCHURTER AG	Directive RoHS 2011/65/EU, Amendment (EU) 2015/863
	China RoHS	SCHURTER AG	The law SJ / T 11363-2006 (China RoHS) has been in force since 1 March 2007. It is similar to the EU directive RoHS.
	REACH	SCHURTER AG	On 1 June 2007, Regulation (EC) No 1907/2006 on the Registration, Evaluation, Authorization and Restriction of Chemicals 1 (abbreviated as "REACH") entered into force.
	Landing Page V-Lock	SCHURTER AG	V-Lock system are based on a matching plug-dose combination. The connector is equipped with a notch intended for use with the latching cordset. The cord latching system prevents against accidental removal of the cordset.

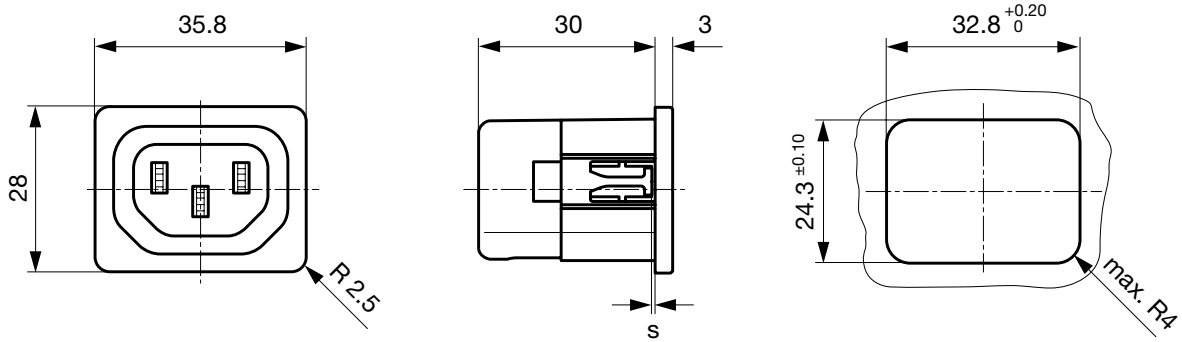
Dimensions [mm]

Version "cross" (wires cross to pin axis)

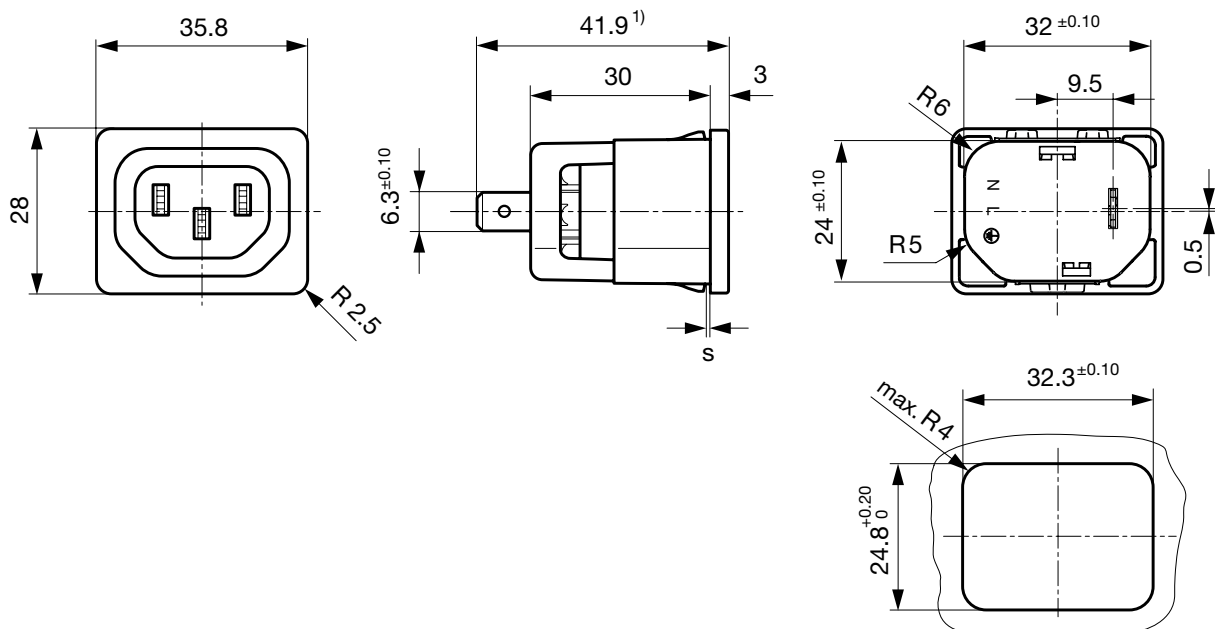
L/N/PE: IDC terminals



Version "along" (wires along to pin axis)
 L/N/PE: IDC terminals

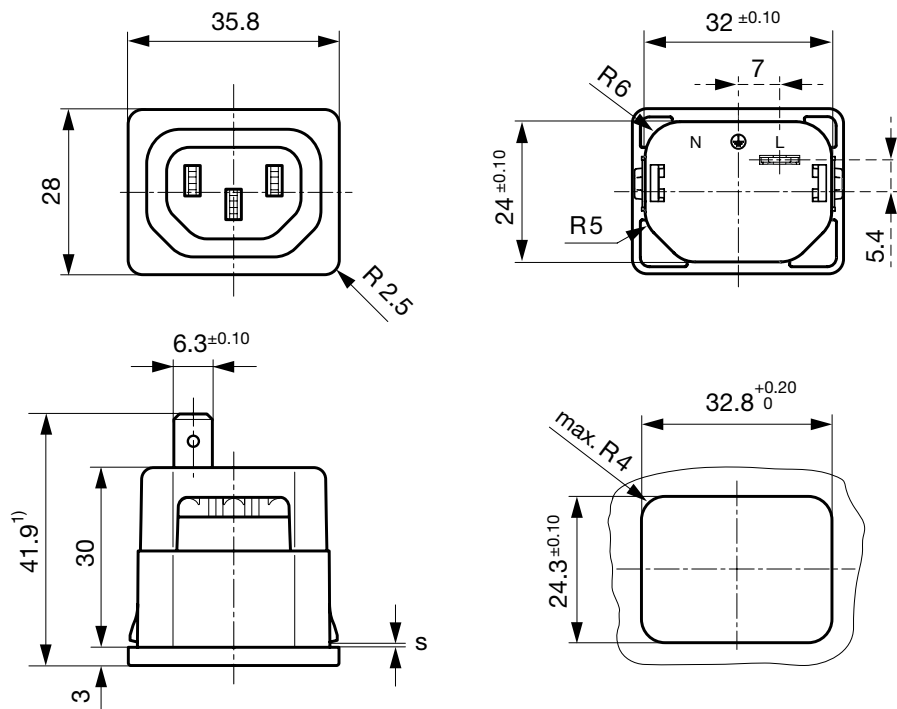


Version "cross" (wires cross to pin axis)
 N/PE: IDC terminals, L: quick connect or solder terminal



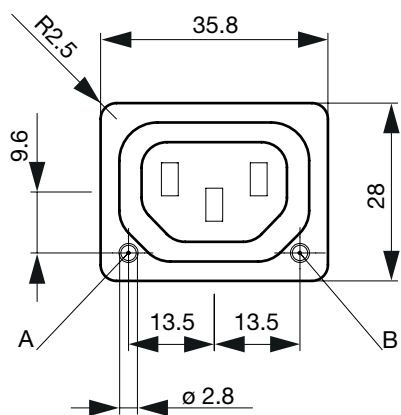
- 1) Other options:
 Quick connect terminal 4.8x0.8: 40.3 mm
 Solder terminal: 40.9 mm

Version "along" (wires along to pin axis)
 N/PE: IDC terminals, L: quick connect or solder terminal



1) Other options:
 Quick connect terminal 4.8x0.8: 40.3 mm
 Solder terminal: 40.9 mm

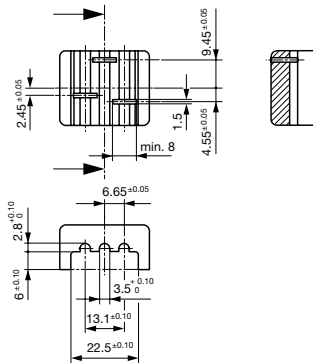
Light Pipe integration



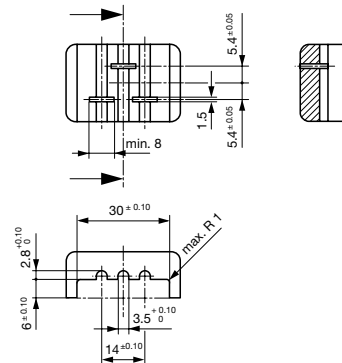
The integration of light pipes in the appliance outlet provides status indication in smart PDUs. See Light Pipe Microsite for more information. <http://lightpipe.schurter.com/>

Assembly Instructions

Wire press version "cross"



Wire press version "along"



- The above mentioned dimensions are recommended when using an assembly tool.
- When using an assembly tool we recommend the above-mentioned dimensions.
- Use the cover or an assembly tool, to push the wires into the IDC terminals.
- The assembly force depends on the wire used and may require as much as 900 N.
- Press the wires into the IDC terminals until the wires touch with the plastic socket of the 6610 when using a tool.
- When using the cover be sure that it is properly mounted.
- The maximum diameter of the wire (including insulation) is 3.6 mm for along, 3.5 mm for cross version.
- The correct installation of the wires is essential for proper function of the 6610 in the end equipment.

All Variants

Alignment 1)	Conductor cross section	Panel Thickness [mm]	Terminal type live contact	Color	V-Lock	MOQ	Order Number
along	1.0 mm ²	2.5	IDC terminals	black	●	50	6610.3016.03
along	1.5 mm ² / 14 AWG	1.5	IDC terminals	black		50	6610.5014
along	1.5 mm ² / 14 AWG	1.5	IDC terminals	black	●	50	6610.5014.03
along	1.5 mm ² / 14 AWG	2	IDC terminals	black		50	6610.5015
along	2.5 mm ² / 12 AWG	0.8	IDC terminals	black		50	6610.1011
along	2.5 mm ² / 12 AWG	1	IDC terminals	black		50	6610.1012
along	2.5 mm ² / 12 AWG	1.2	IDC terminals	black		50	6610.1013
along	2.5 mm ² / 12 AWG	1.5	IDC terminals	black		50	6610.1014
along	2.5 mm ² / 12 AWG	2	IDC terminals	black		50	6610.1015
along	2.5 mm ² / 12 AWG	2	IDC terminals	black	●	50	6610.1015.03
along	2.5 mm ² / 12 AWG	2.5	IDC terminals	black		50	6610.1016
along	2.5 mm ² / 12 AWG	3	IDC terminals	black		50	6610.1017
along	2.5 mm ² / 12 AWG	1.5	Quick connect terminal 4.8 x 0.8 mm	black		50	6610.1354
along	2.5 mm ² / 12 AWG	1.5	Quick connect terminal 4.8 x 0.8 mm	black	●	50	6610.1354.03
along	2.5 mm ² / 12 AWG	1.5	Quick connect terminal 6.3 x 0.8 mm	black		50	6610.1254
along	2.5 mm ² / 12 AWG	1.5	Quick connect terminal 6.3 x 0.8 mm	black	●	50	6610.1254.03
along	2.5 mm ² / 12 AWG	1.5	Solder	black		50	6610.1154
cross	1.5 mm ² / 14 AWG	1	IDC terminals	black		50	6610.6012
cross	1.5 mm ² / 14 AWG	1.5	IDC terminals	black		50	6610.6014
cross	1.5 mm ² / 14 AWG	1.5	Quick connect terminal 6.3 x 0.8 mm	black		50	6610.6254
cross	2.5 mm ² / 12 AWG	1	IDC terminals	black		50	6610.2012
cross	2.5 mm ² / 12 AWG	1.2	IDC terminals	black		50	6610.2013
cross	2.5 mm ² / 12 AWG	1.5	IDC terminals	black		50	6610.2014
cross	2.5 mm ² / 12 AWG	1.5	IDC terminals	black	●	50	6610.2014.03
cross	2.5 mm ² / 12 AWG	1.5	IDC terminals	white	●	1000	3-111-442
cross	2.5 mm ² / 12 AWG	2	IDC terminals	black		50	6610.2015
cross	2.5 mm ² / 12 AWG	2.5	IDC terminals	black		50	6610.2016
cross	2.5 mm ² / 12 AWG	3	IDC terminals	black		50	6610.2017
cross	2.5 mm ² / 12 AWG	1.5	Quick connect terminal 6.3 x 0.8 mm	black		50	6610.2254
cross	2.5 mm ² / 12 AWG	1.5	Solder	black		50	6610.2154

Most Popular.

Availability for all products can be searched real-time: <https://www.schurter.com/en/Stock-Check/Stock-Check-SCHURTER>

Alignment 1)	Conductor cross section	Panel Thickness s [mm]	Terminal type live contact	Color	V-Lock	MOQ	Order Number
--------------	-------------------------	---------------------------	----------------------------	-------	--------	-----	--------------

Articles with 1 mm² only with ENEC approval. Outer diameter of wire (including insulation) max. 3.5 / 3.6 mm.

1) The alignment describes whether the wires are along or across to the connector pin axis.

Packaging unit 50 Pcs

Accessories

Description



[Cord retaining kits](#)
Cord retaining strain relief

Flat head, E	4700.0005
Flat head, G	4700.0007

Mating Inlets/Plugs

Category / Description

[Plug Overview complete](#)



4732, Mounting: Power Cord, Plug: IEC E, Cable	4732
4735, Mounting: Power Cord, Plug: IEC E, Cable	4735
9009, Mounting: Plug: IEC E, Screw clamps	9009
4733, Mounting: Power Cord, Plug: IEC E, Cable	4733
4736, Mounting: Power Cord, Plug: IEC E, Cable	4736

[Plug further types to 6610](#)

...

Mating Inlets/Plugs shuttered

[Interconnection Cord Overview complete](#)



VAC13KS, Interconnection, V-Lock cord retaining, 0.6 m, Connector IEC C13, H05VV-F3G0.75 / SVT 3x18 AWG, black	3-100-354
VAC13KS, Interconnection, V-Lock cord retaining, 1.2 m, Connector IEC C13, H05VV-F3G0.75 / SVT 3x18 AWG, black	3-100-355
VAC13KS, Interconnection, V-Lock cord retaining, 1.5 m, Connector IEC C13, H05VV-F3G0.75 / SVT 3x18 AWG, black	3-100-356
VAC13KS, Interconnection, V-Lock cord retaining, 3.0 m, Connector IEC C13, SVT 3x18 AWG, black	3-100-361
VAC13KS, Interconnection, V-Lock cord retaining, 1.8 m, Connector IEC C13, H05VV-F3G0.75 / SVT 3x18 AWG, black	3-100-734

[Interconnection Cord further types to 6610](#)

...

Mouser Electronics

Authorized Distributor

Click to View Pricing, Inventory, Delivery & Lifecycle Information:

Schurter:

[6610.1012](#) [6610.1013](#) [6610.1014](#) [6610.1015](#) [6610.1016](#) [6610.1017](#) [6610.1254](#) [6610.2012](#) [6610.2013](#) [6610.2014](#)
[6610.2015](#) [6610.2016](#) [6610.2017](#) [6610.3012](#) [6610.3013](#) [6610.3014](#) [6610.3015](#) [6610.3016](#) [6610.3017](#) [6610.4012](#)
[6610.4013](#) [6610.4014](#) [6610.4015](#) [6610.4016](#) [6610.4017](#) [6610.2112](#) [6610.2254](#) [6610.1011](#) [6610.1312](#) [6610.2234](#)
[6610.2312](#) [6610.1253](#) [6610.2212](#) [6610.2354](#) [6610.2154](#) [6610.1154](#) [6610.1152](#) [6610.1212](#) [6610.2014.03](#)
[6610.3016.03](#) [6610.6254](#) [6610.6012](#) [6610.6014](#) [6610.1015.03](#) [6610.1254.03](#) [6610.1354](#) [6610.5014](#) [6610.5015](#)
[6610.1014.03](#) [6610.1354.03](#) [6610.2015.03](#) [6610.2016.03](#) [6610.2254.03](#) [6610.5014.03](#) [6610.1112](#) [6610.5254](#)
[6610.2253](#)