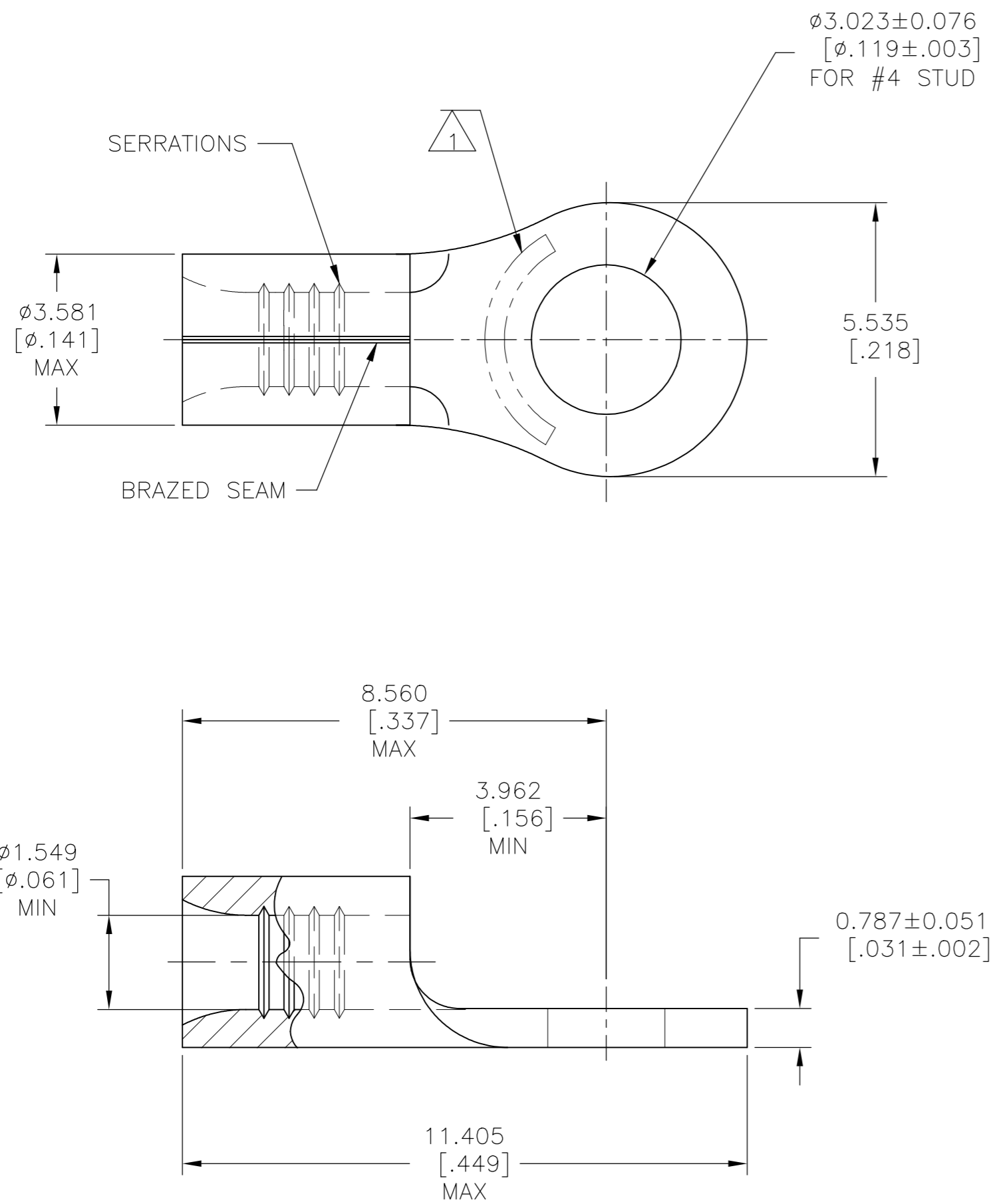


THIS DRAWING IS UNPUBLISHED. RELEASED FOR PUBLICATION
 © COPYRIGHT - By - ALL RIGHTS RESERVED.

REVISIONS					
P	LTR	DESCRIPTION	DATE	DWN	APVD
N1		REVISED PER ECO-13-018569	28NOV2013	KH	DR
N2		REVISED PER ECO-17-008806	15FEB2018	RS	DR



AMP
WIRE RANGE

22-16 AWG
SOLID OR STRANDED

- 1 STAMP AMP 22-18* APPROX AS SHOWN
22-16 TERMINALS ARE STAMPED 22-18 IN ACCORDANCE WITH MILITARY SPECIFICATION SAE AS7928; COMMERCIAL WIRE RANGE IS 22-16
- 2 TIN PLATE 0.00254 [.000100] MIN EXT THK PER ASTM-B-545.
- 3 TIN LEAD PLATE 0.01016-0.02032[.000400-.000800] MIN EXT THK PER MIL-P-81728
- 4 GOLD PLATE, 0.00254[.000100] MIN EXT THK PER ASTM B488 TYPE 1, CODE C OVER NICKEL PLATE 0.00127[.000050] MIN EXT THK PER SAE AMS QQ-N-290. OVER Cu FLASH PER SAE AMS 2418.
- 5 NOTE DELETED
- 6 .000300 MIN EXT THK NICKEL PER SAE AMS QQ-N-290
- 7 COPPER PER ASTM B-152, ANNEALED
- 8 UL LISTED E13288, 22-16 AWG SOLID OR STRANDED.
- 9 CSA CERTIFIED LR7189, 22-16 AWG SOLID OR STRANDED
- 10 MILITARY P/N AND CLASS: M7928/7-2 CLASS 2
- 11 NOTE DELETED
- 12 NOTE DELETED
- 13 UL 486 A-B OR SAE AS7928

△△	170°C[338°F]	△	100	LOOSE PIECE, BOX	8-34104-1
△△△	170°C[338°F]	△	5000	34104 ON TAPE	2-34104-6
	343°C[649°F]	△	1000	LOOSE PIECE	34104-6
	260°C[500°F]	△	1000	LOOSE PIECE	34104-4
△△	170°C[338°F]	△	1000	LOOSE PIECE	34104-2
△△△	170°C[338°F]	△	1000	LOOSE PIECE	34104
	MAX TEMP	FINISH	QTY	PACKAGE TYPE	PART NO.

AMP INCORPORATED
CUSTOMER SERVICE SYSTEMS

FOR ADDITIONAL PRODUCT INFORMATION OR COPIES OF DRAWINGS AND TECHNICAL DOCUMENTS
PRODUCT INFORMATION CENTER
1-800-522-6752

FOR APPLICATION TOOLING INFORMATION
TOOLING ASSISTANCE CENTER
1-800-722-1111

FOR ORDER ENTRY
1-800-526-5142

MAX RECOMMENDED OPERATING TEMPERATURE:
SEE TABLE

VOLTAGE RATING:
N/A

CIRCULAR MIL AREA:
0.26-1.65mm² [509-3260]
SOLID OR STRANDED

THIS DRAWING IS A CONTROLLED DOCUMENT FOR AMP INCORPORATED. IT IS SUBJECT TO CHANGE AND THE CONTROLLING ENGINEERING ORGANIZATION SHOULD BE CONTACTED FOR THE LATEST REVISION.

THIS DRAWING IS A CONTROLLED DOCUMENT.

DIMENSIONS: mm [INCHES]

TOLERANCES UNLESS OTHERWISE SPECIFIED:
 0 PLC ± -
 1 PLC ± -
 2 PLC ± -
 3 PLC ± 0.127[.005]
 4 PLC ± -
 ANGLES ± -

MATERIAL: △7
FINISH: SEE TABLE

DWN: TA BRINKMAN 3-10-93
CHK: DA PATTERSON 3-10-93
APVD: JL MECKLEY 3-10-93

NAME: **STE** TE Connectivity Ltd.

PRODUCT SPEC: △13
APPLICATION SPEC: -

SIZE: A2
CAGE CODE: 00779
DRAWING NO: C-34104

RESTRICTED TO: -

CUSTOMER DRAWING
SCALE: 10:1
SHEET: 1 of 1
REV: N2