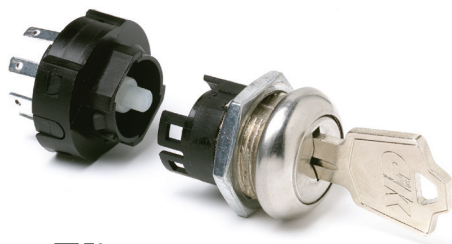


H Series 4 & 6 Tumbler Power Switchlocks



Models Available

Features/Benefits

- Positive detent
- Multi-pole and multi-position
- Snap-together assembly
- Power switching

Typical Applications

- Machine controls
- Elevators

Specifications

CONTACT RATING: Q contact material: 12 AMPS @ 125 V AC; 6 AMPS @ 250 V AC; 1 AMP @ 125 V DC (UL/CSA). See page L-37 for additional ratings.

ELECTRICAL LIFE: 10,000 make-and-break cycles at full load.

CONTACT RESISTANCE: Below 10 m Ω typ. initial @ 2-4 V DC, 100 mA, for both silver and gold plated contacts.

INSULATION RESISTANCE: 10⁹ Ω min.

DIELECTRIC STRENGTH: 1,000 Vrms min. @ sea level.

OPERATING TEMPERATURE: -30°C to 85°C.

INDEXING: 45° or 90°, 2-4 Positions.

NOTE: Any models supplied with Q or B contact material are RoHS compliant.

NOTE: Specifications and materials listed above are for switchlocks with standard options. For information on specific and custom switchlocks, consult Customer Service Center.

Materials

LOCK: Zinc alloy with stainless steel facing (4 tumbler locks and 6 tumbler tubular lock).

KEYS: Two nickel plated brass keys with code number (4 tumbler). Two die cast chrome plated zinc alloy keys (6 tumbler).

SWITCH HOUSING: 6/6 nylon (UL 94V-2).

CONTACTS & TERMINALS: Q contact material: Copper, silver plated. See page L-37 for additional contact materials.

CONTACT SPRING: Music wire or stainless steel.

MOUNTING NUT: Zinc alloy.

MOUNTING CLIP: Steel, zinc plated.

DRESS NUT: Brass, nickel plated.

TERMINAL SEAL: Epoxy.

Build-A-Switch

To order, simply select desired option from each category and place in the appropriate box. Available options are shown and described on pages L-35 through L-38. For additional options not shown in catalog, consult Customer Service Center.



Switch and Lock Function

H10113 SP, 90° Index, keypull pos.1

H2011U DP, 90° Index, keypull pos. 1 & 2

H100AA SP, 45° Index, keypull pos. 1,2 & 3

H200AA DP, 45° Index, keypull pos. 1, 2 & 3

H20113 DP, 90° Index, keypull pos. 1

H1011U SP, 90° Index, keypull pos.1 & 2

H1417U SP, 90° Index, keypull pos. 1,2 & 3

Keying

2 Two nickel plated brass keys (4 tumbler) or two die cast zinc alloy keys with chrome plating (6 tumbler)

T One nickel plated brass key with plastic insert molded square head and one nickel plated brass key

Lock Type

F 4 Tumbler lock with detent

V 6 Tumbler tubular lock

Lock Finish

2 Stainless steel facing

8 Gloss black facing

Terminations

05 Quick connect

WC Wire lead

Mounting/Lock Style

N With nut

D With clip

Contact Material

Q Silver

B Gold

Key Color

NONE Nickel plated brass (4 tumbler) or chrome plated zinc alloy (6 tumbler)

2 Black



Switchlock



Dimensions are shown: Inch (mm)
Specifications and dimensions subject to change

H Series 4 & 6 Tumbler Power Switchlocks

SWITCH AND LOCK FUNCTION



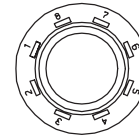
| NO. TUMBLERS | NO. POLES | MODEL NO. | CONNECTED TERMINALS | | | | KEY PULL POSITIONS | LOCK CONFIGURATION | INDEXING |
|--------------|-----------|--------------------------------|---------------------|-----------------|-----------------|--------|--------------------|--------------------|----------|
| | | | POS. 1 | POS. 2 | POS. 3 | POS. 4 | | | |
| 4 | SP DP | H100AA H200AA | 7-8 7-8, 3-4 | 8-1 8-1, 4-5 | 6-7 6-7, 2-3 | | Positions 1, 2 & 3 | | 45° |
| 4 & 6 | SP DP | H10113 H20113 | 7-8 7-8, 3-4 | 8-2 8-2, 4-6 | | | Position 1 | | |
| 4 & 6 | SP DP | H1011U H2011U | 7-8 7-8, 3-4 | 8-2 8-2, 4-6 | | | Positions 1 & 2 | | 90° |
| 4 | SP | H1417U | 6-8 | 8-2 | 5-6 | | Positions 1, 2 & 3 | | |

All models with all options when ordered with 'G' or 'Q' contact material.

TERMINAL NUMBERS

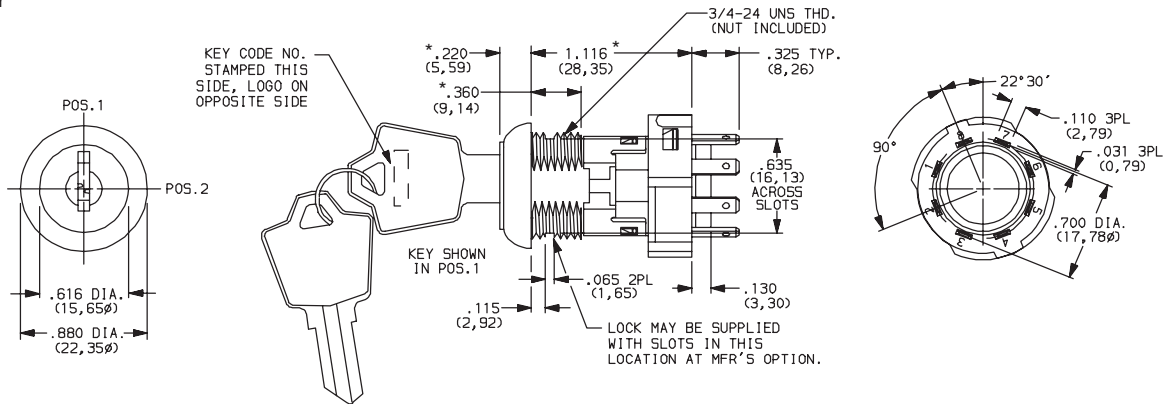
LEGEND

- = Detent Positions (45° or 90°)
- ⊙ = Key pull possible in these positions.
- ⊙ = Stop Positions



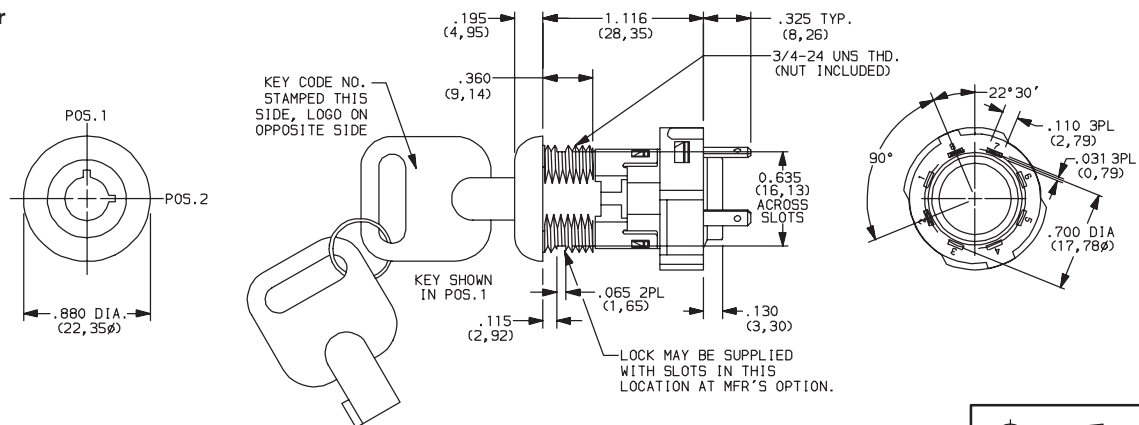
Terminal numbers molded on housing.

4 Tumbler

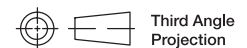


Part number shown: H101132F205NQ

6 Tumbler



Part number shown: H1011U2V205NQ



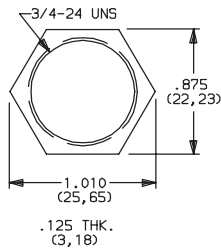
Dimensions are shown: Inch (mm)
Specifications and dimensions subject to change



H Series 4 & 6 Tumbler Power Switchlocks

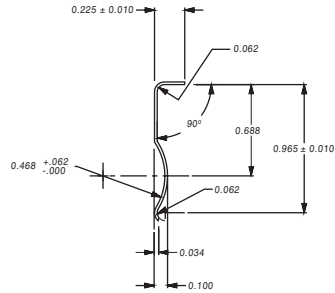
MOUNTING/LOCK STYLE

N WITH NUT



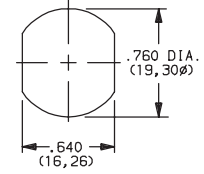
Nut part number: 937C00000

D WITH CLIP



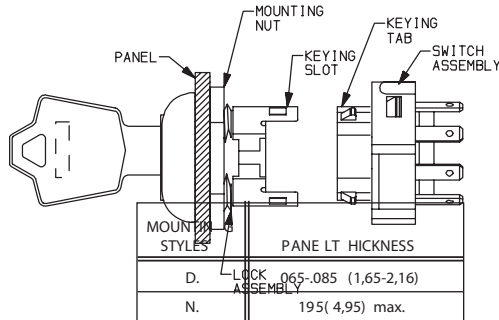
Clip part number: 906B00000

PANEL MOUNTING



| MOUNTING STYLES | PANEL THICKNESS |
|-----------------|-----------------------|
| D | .065-.085 (1,65-2,16) |
| N | .195 (4,95) max. |

Switch and Lock Assembly Instructions




1. Place lock assembly in mounting hole on panel, secure with mounting nut.
2. Align keying tab on switch assembly with keying slot on lock assembly.
3. Snap assemblies together.
4. Switch installation is permanent. Switch cannot be removed from lock after assembly. Attempting to separate switch and lock may cause damage to switchlock.

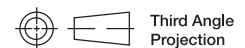
CONTACT MATERIAL

| OPTION CODE | RoHS COMPLIANT* | RoHS COMPATIBLE* | CONTACT AND TERMINAL MATERIAL | RATING | |
|-------------|-----------------|------------------|-------------------------------|---|----------------------------------|
| | | | | POWER | LOW LEVEL/DRY CIRCUIT |
| Q | YES | YES | SILVER ² | 12 AMPS @ 125 V AC; 6 AMPS @ 250 V AC; 1 AMP @ 125 V DC (UL/CSA). | |
| B | YES | YES | GOLD ¹ | | 0.4 VA MAX. @ 20 V AC or DC MAX. |

¹ CONTACTS & TERMINALS: Copper, with gold plate over nickel plate.
² CONTACTS & TERMINALS: Copper, silver plated.

* Note: See Technical Data section of this catalog for RoHS compliant and compatible definition and specifications.

All models  with all options when ordered with 'Q' contact material.



Third Angle Projection
 Dimensions are shown: Inch (mm)
 Specifications and dimensions subject to change

H Series 4 & 6 Tumbler Power Switchlocks

AVAILABLE HARDWARE



Key Code: A126
4 TUMBLER
PART NO. (ONE KEY)
115140126
Material: Brass
Finish: Nickel plate



Key Code: AAAA
PART NO. (ONE KEY)
363C1AAAA
Material: Zinc Alloy
Finish: Chrome
plate



Key Code: A126
4 TUMBLER
PART NO. (ONE KEY)
1159112602 BLACK
Material: Brass
Finish: Nickel plate
6/6 Nylon insert molded
head



Switchlock

Mouser Electronics

Authorized Distributor

Click to View Pricing, Inventory, Delivery & Lifecycle Information:

C&K Switches:

[H201132F205NQ](#) [H100AA2F205NQ](#) [H101132F205NQ](#) [H101132F2WCNQ](#) [H1011U2F205NQ](#) [H1011U2F805NQ](#)
[H200AA2F205NQ](#) [H2011U2F205NQ](#) [H101132F205NB](#) [H200AA2F205NB](#) [H10113TF805NQ2](#) [H1417U2F805DB](#)
[H101132V205NQ](#)