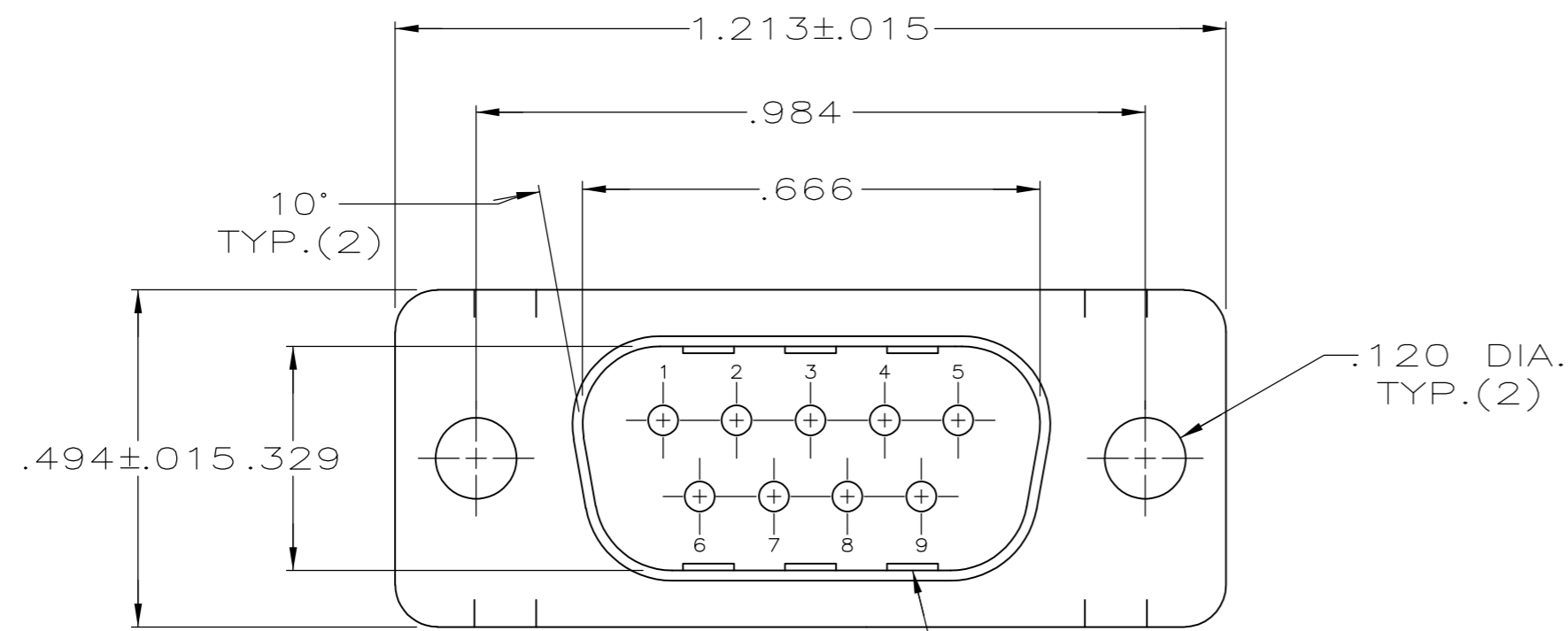
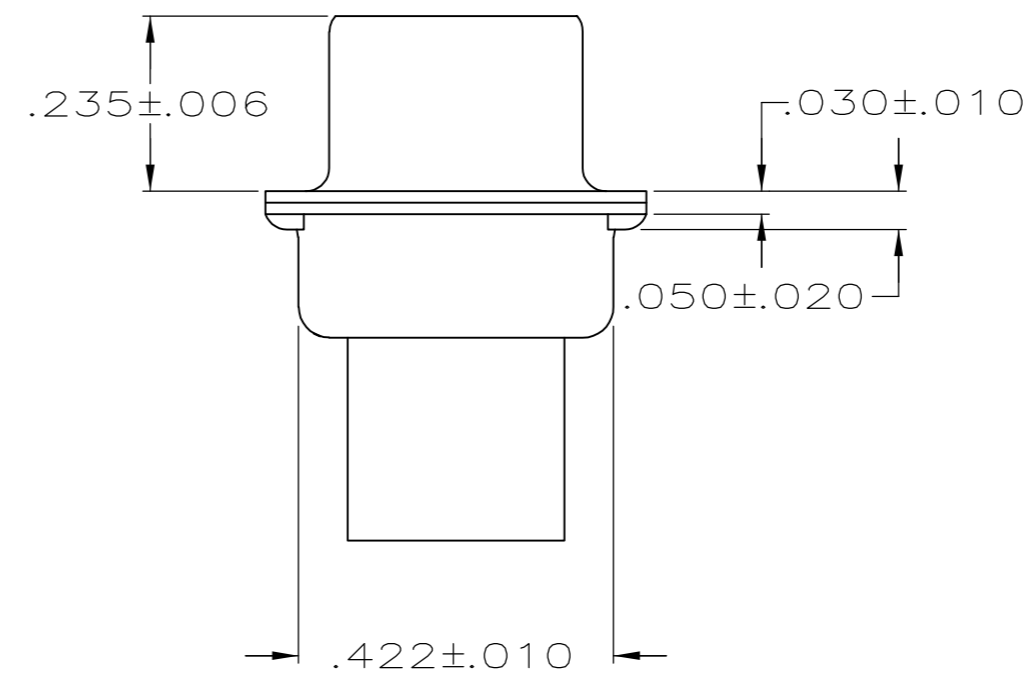
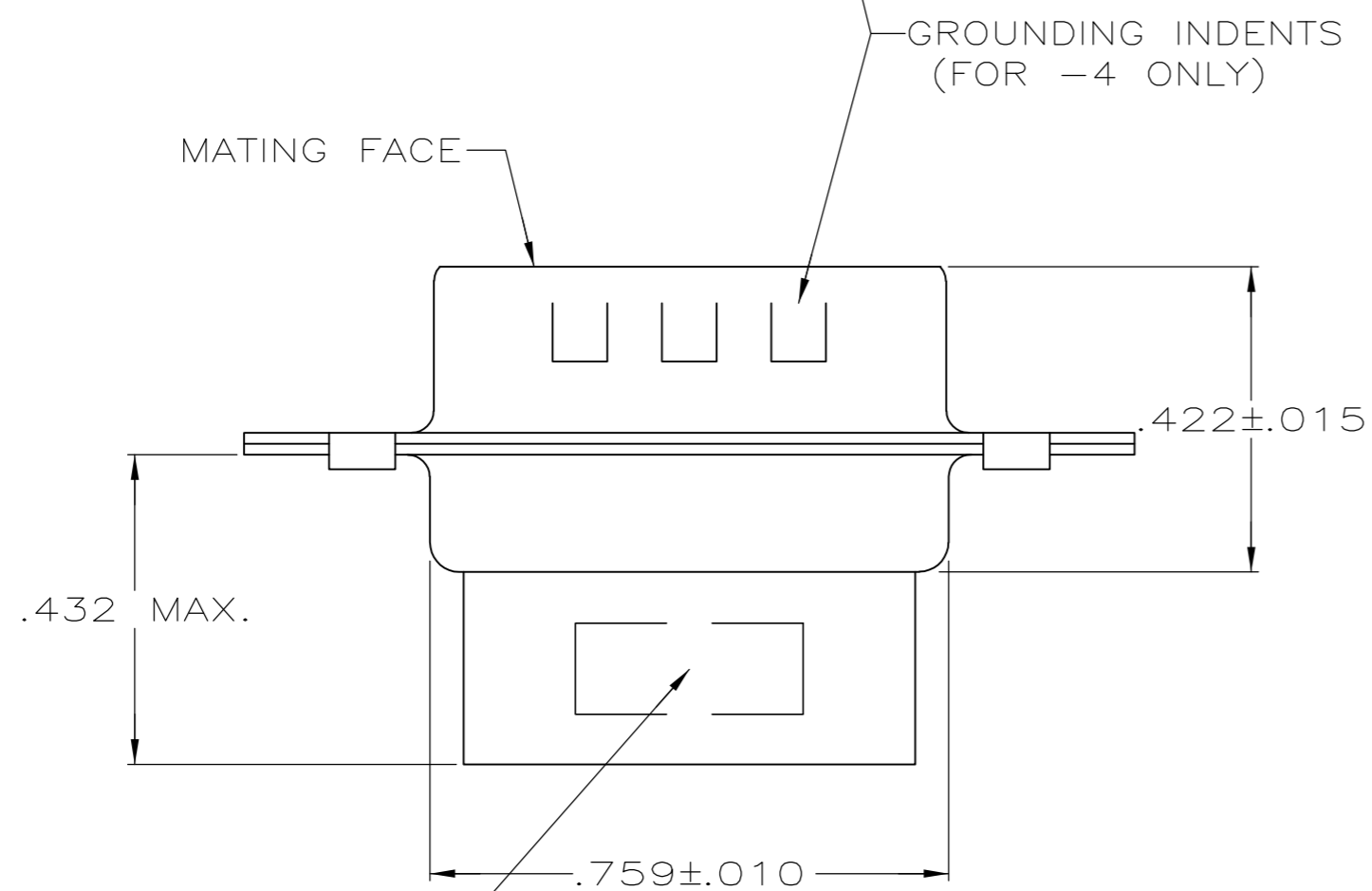


THIS DRAWING IS UNPUBLISHED. RELEASED FOR PUBLICATION  
 © COPYRIGHT - By - ALL RIGHTS RESERVED.

| LOC | DIST | REVISIONS                 |           |     |      |
|-----|------|---------------------------|-----------|-----|------|
| P   | LTR  | DESCRIPTION               | DATE      | DWN | APVD |
| GP  | 00   |                           |           |     |      |
|     | L    | REVISED PER ECO-14-011808 | 09AUG2014 | AP  | SB   |



- 1 CONNECTOR ACCEPTS SIZE 20 DF PIN CONTACTS, RETENTION TINES ARE AN INTEGRAL PART OF INSERT.
- 2 CONNECTOR COMPLIES WITH 108-40005 WHERE APPLICABLE.
- 3 MOLDED PARTS: GLASS-FILLED PBT OR GLASS-FILLED NYLON, UL94V-0 RATED. COLOR: BLACK
- 4 SHELLS: STEEL PER ASTM A109.
- 5 ZINC PLATED PER ASTM B633; TYPE II; CLASS SC1; YELLOW CHROMATE.
- 6 TIN OR TIN-LEAD PLATED OVER COPPER UNDERPLATE.
- 7 CHROME PLATED.
- 8 TIN PLATED OVER COPPER UNDERPLATE.
- 9 ZINC PLATED .000200-.000400 THICK, YELLOW TRIVALENT CHROMIUM CHROMATE COATING.
- 10 OBSOLETE PARTS: OBSOLETE CIS STREAMLINING PER D.RENAUD/D.SINISI



"AMP", PART NO. & DATE CODE, MARKED IN AREA INDICATED, ON FAR SIDE

| PACKAGING TYPE         | SHELL FINISH | GROUNDING INDENTS | PART NUMBER |
|------------------------|--------------|-------------------|-------------|
| 10 OBSOLETE            | 9            | NO                | 4-205204-0  |
|                        | 9            | NO                | 205204-9    |
|                        | 8            | NO                | 205204-8    |
| SUPERSEDED BY 205204-9 | 5            | NO                | 205204-7    |
|                        | 8            | YES               | 205204-4    |
| SUPERSEDED BY 205204-8 | 6            | NO                | 205204-3    |
| OBSOLETE               | 7            | NO                | 205204-2    |
| SUPERSEDED BY 205204-9 | 5            | NO                | 205204-1    |

|  |                          |                        |   |                 |
|--|--------------------------|------------------------|---|-----------------|
| THIS DRAWING IS A CONTROLLED DOCUMENT. |                          | DWN S. WELDON 07/19/85 | <b>TE</b> TE Connectivity                     |                 |
| DIMENSIONS: INCHES                     |                          | CHK J. GERACE 07/29/85 |   |                 |
| TOLERANCES UNLESS OTHERWISE SPECIFIED: |                          | APVD -                 | NAME  |                 |
| 0 PLC ± -                              | 1 PLC ± -                | PRODUCT SPEC -         | PLUG CONNECTOR, SIZE 1, 9 POS., AMPLIMITE HDP |                 |
| 2 PLC ± -                              | 3 PLC ± .005             | APPLICATION SPEC -     | SIZE A2                                       | CAGE CODE 00779 |
| 4 PLC ± -                              | ANGLES ± -               | WEIGHT -               | DRAWING NO C-205204                           | RESTRICTED TO - |
| MATERIAL SEE NOTES                     | FINISH SHELLS: SEE TABLE | CUSTOMER DRAWING       | SCALE NTS                                     | SHEET 1 of 1    |

# Mouser Electronics

Authorized Distributor

Click to View Pricing, Inventory, Delivery & Lifecycle Information:

[TE Connectivity:](#)

[205204-1](#) [205204-3](#)