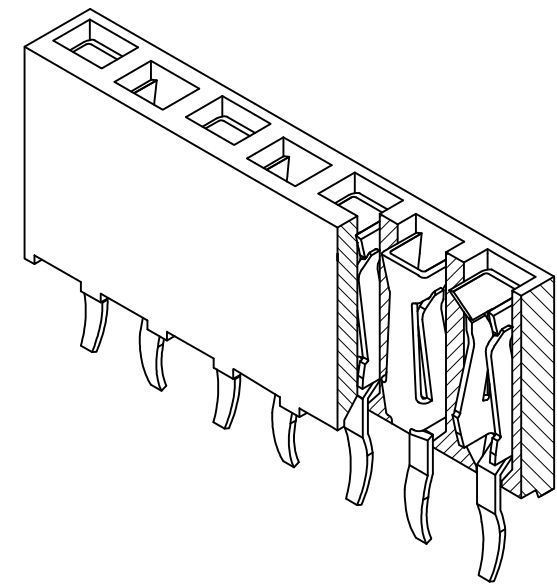
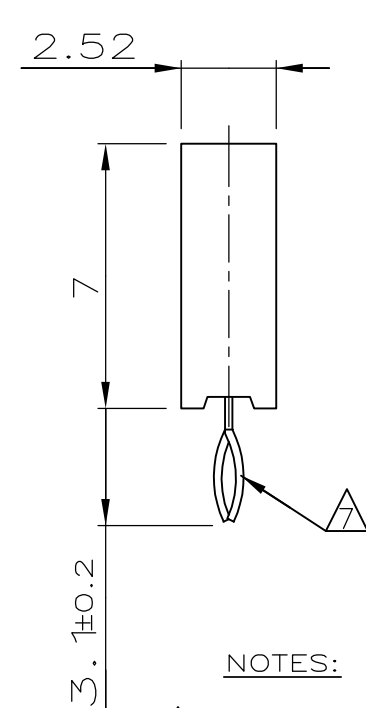
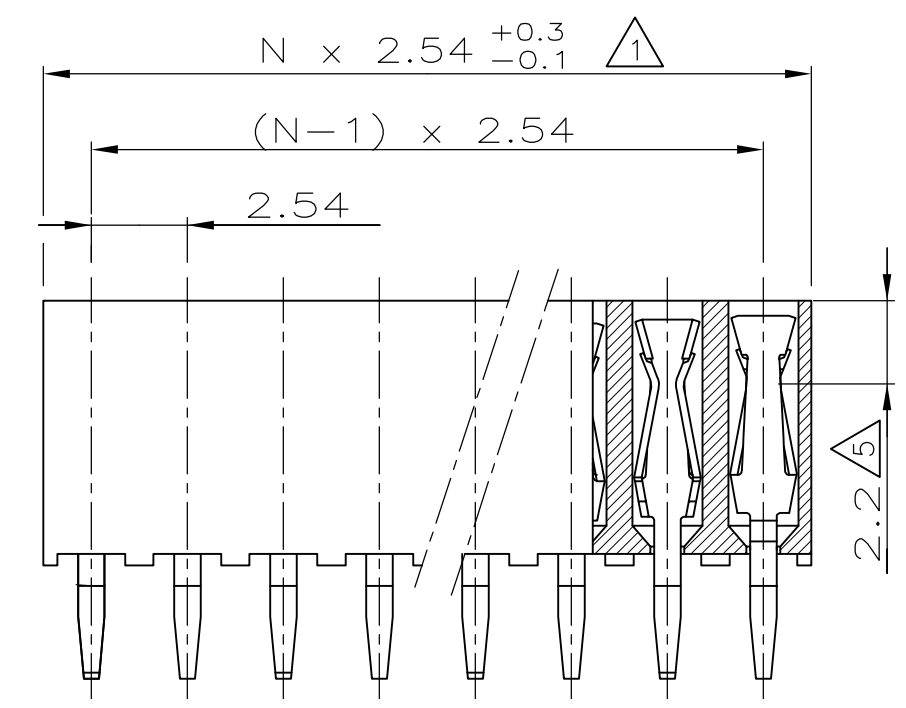
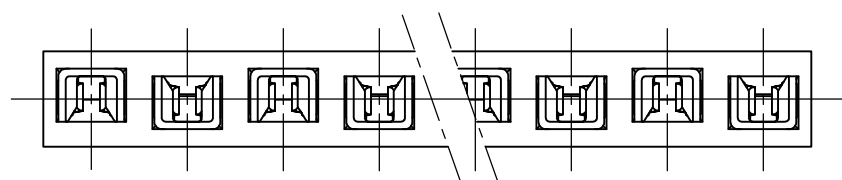


THIS DRAWING IS UNPUBLISHED. RELEASED FOR PUBLICATION
 © COPYRIGHT - By - ALL RIGHTS RESERVED.

LOC	DIST	REVISIONS			
P	LTR	DESCRIPTION	DATE	DWN	APVD
	D	HOUSING RESIN MATERIAL CHANGED	25DEC2013	TJ	JK

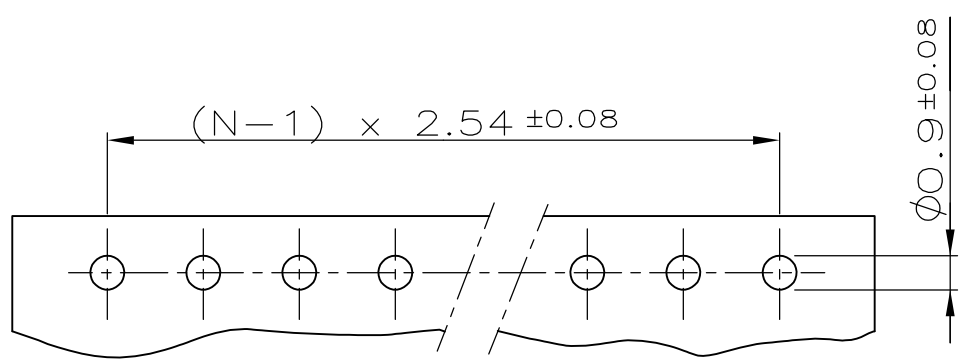


POLZ.	L	BESTELL-NR.
-	-	-
2	5.08	215 297-2
3	7.62	-3
4	10.16	-4
5	12.70	-5
6	15.24	-6
7	17.78	-7
8	20.32	-8
9	22.86	-9
10	25.40	1- -0
11	27.94	1- -1
12	30.48	1- -2
13	33.02	1- -3
14	35.56	1- -4
15	38.10	1- -5
16	40.64	1- -6
17	43.18	1- -7
18	45.72	1- -8
19	48.26	1- -9
20	50.80	2- -0
21	53.34	2- -1
22	55.88	2- -2
23	58.42	2- -3
24	60.96	2- -4
25	63.50	2- -5
26	66.04	2- -6
27	68.58	2- -7
28	71.12	2- -8
29	73.66	2- -9
30	76.20	3- -0
31	78.74	3- -1
32	81.28	3- -2
33	83.82	3- -3
34	86.36	3- -4
35	88.90	3- -5
36	91.44	3- 215 297-6



NOTES:

- 1. TO DETERMINE DIMENSIONS TAKE N = NO. OF POS.
 FOR EXAMPLE: 10 POS.: N x 2,54 = 25,4 mm.
 FOR ORDER NO. USE BASIC NO. + NO. OF POS.
 FOR EXAMPLE: 2 POS.= 215 297-2 (SHORTEST VERSION)
 36 POS.= 3-215 297-6 (LONGEST VERSION)
- 2. HOUSING MATERIAL: GREEN GLASSFILLED POLYESTER, UL 94V-0
 CONTACT MATERIAL: PHOSPHOR BRONZE.
- 3. PLATING: UNDER COATING: 1,3µm Ni.
 AT CONT.PLACE: 0,8µm Au.
 AT SOLDER-TYNES: 3,0-5,0µm Sn
- 4. MATES WITH 0,63 SQUARE/ROUND MODU POSTS.
- 5. CONTACT-POINT.
- 6. RECOMMENDED P.C.BOARD-THICKNESS: 1,6mm.
- 7. RETENTION FEATURE.
- 8. HV100 CONNECTOR PACKED IN ANTISTATIC BLISTER TRAY



P.C.-BOARD HOLE-PATTERN

VERWENDET FÜR
E 92-9803

THIS DRAWING IS A CONTROLLED DOCUMENT.		DWN R.VISSER 08.05.87	TE Connectivity													
DIMENSIONS: mm		CHK W.SIMONS			NAME											
TOLERANCES UNLESS OTHERWISE SPECIFIED: ±0.1		APVD L.v.SOEST	HV 100 VERTICAL CONNECTOR													
<table border="1"> <tr><td>0 PLC</td><td>± -</td></tr> <tr><td>1 PLC</td><td>± -</td></tr> <tr><td>2 PLC</td><td>± -</td></tr> <tr><td>3 PLC</td><td>± -</td></tr> <tr><td>4 PLC</td><td>± -</td></tr> <tr><td>ANGLES</td><td>± -</td></tr> </table>		0 PLC	± -	1 PLC	± -	2 PLC	± -	3 PLC	± -	4 PLC	± -	ANGLES	± -	PRODUCT SPEC 108-19056	SINGLE ROW, 7,0mm HEIGHT, TOP ENTRY, GOLD, MAX. 36 POSITIONS.	
0 PLC	± -															
1 PLC	± -															
2 PLC	± -															
3 PLC	± -															
4 PLC	± -															
ANGLES	± -															
MATERIAL SEE NOTE 2		FINISH SEE NOTE 3	APPLICATION SPEC -	RESTRICTED TO -												
		WEIGHT -	SIZE A3	CAGE CODE 00779												
			DRAWING NO. C-215297													
		CUSTOMER DRAWING	SCALE 5:1	SHEET 1 OF 1												

Mouser Electronics

Authorized Distributor

Click to View Pricing, Inventory, Delivery & Lifecycle Information:

[TE Connectivity:](#)

[1-215297-0](#)