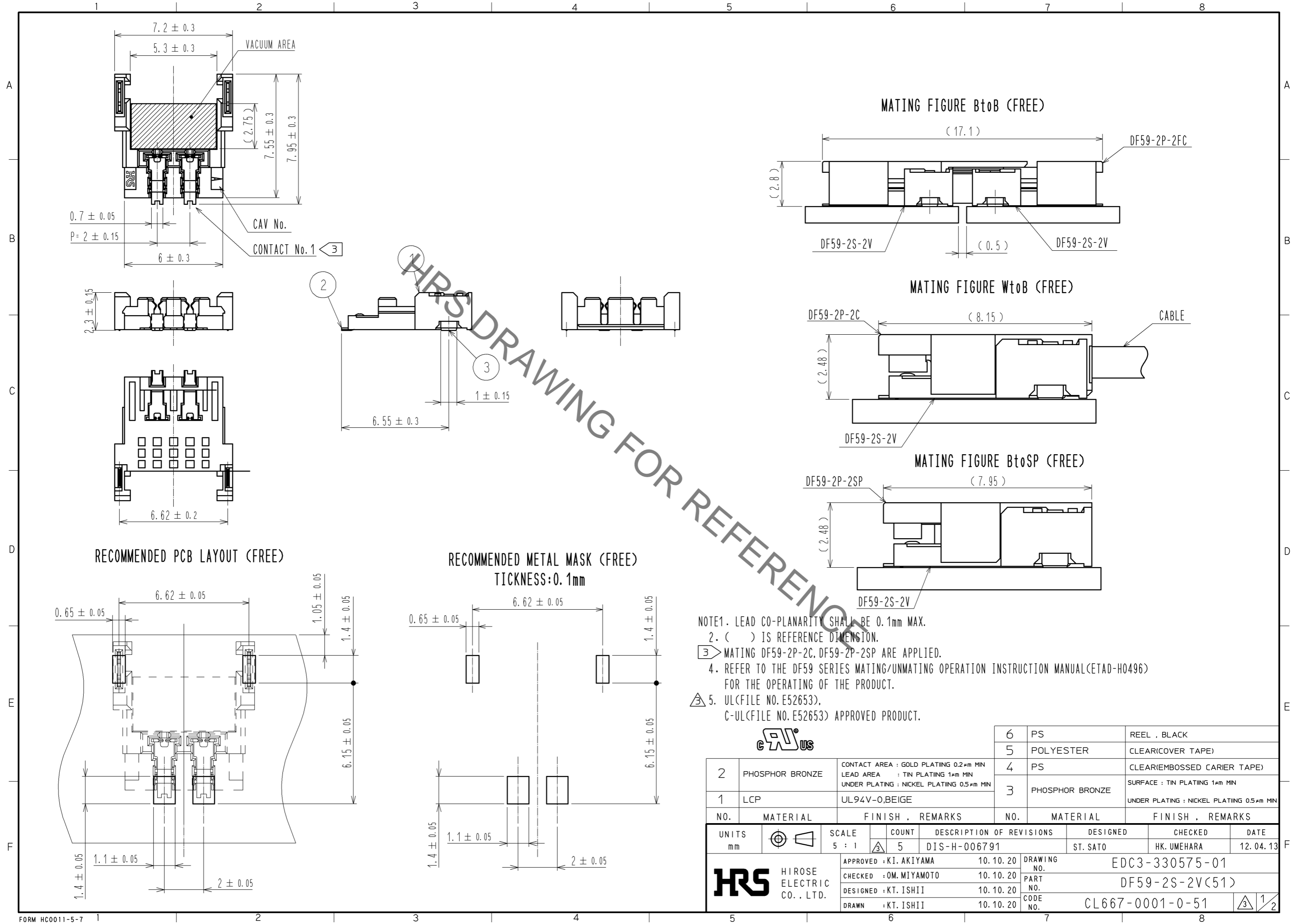


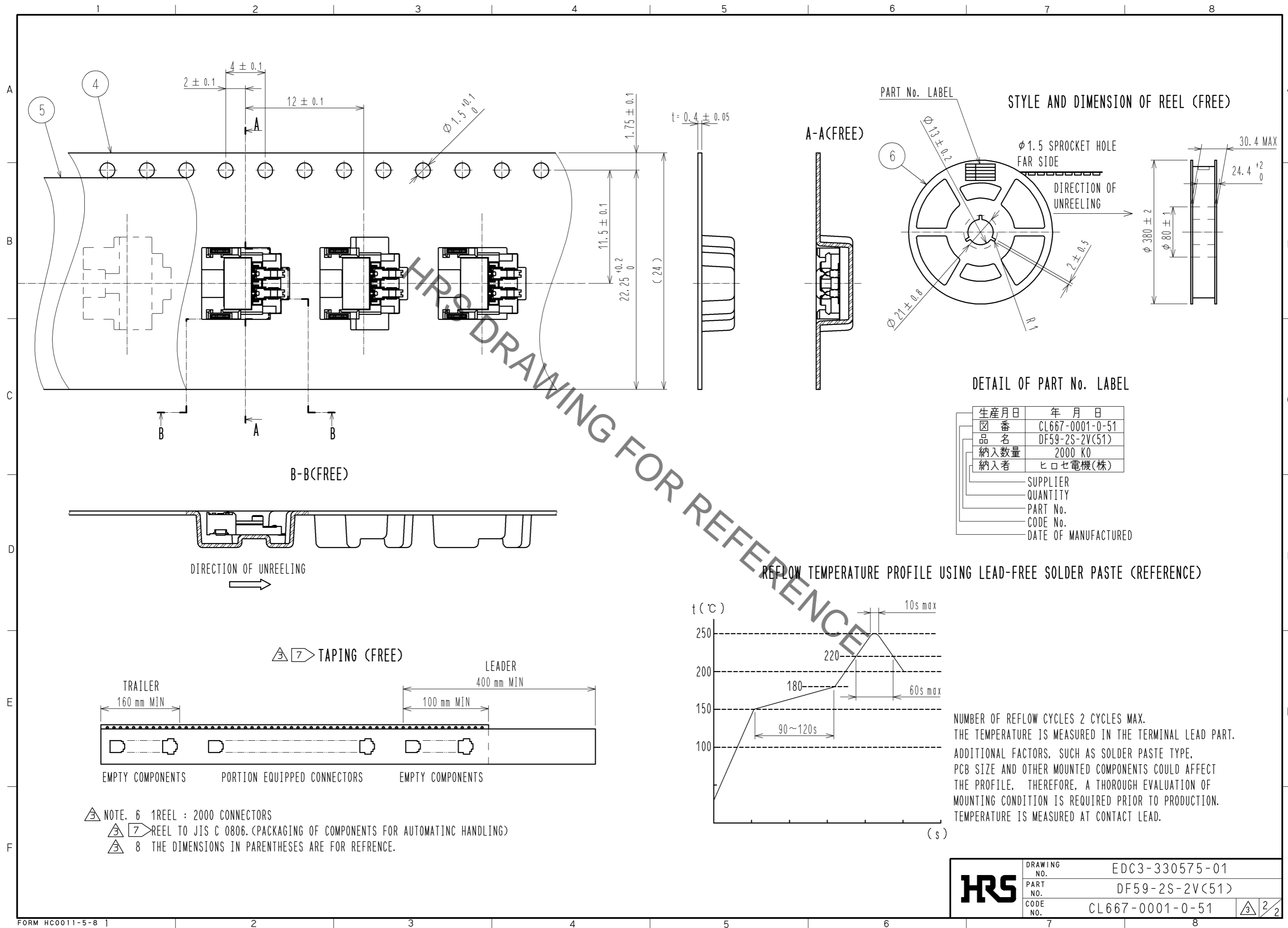
Apr.1.2020 Copyright 2020 HIROSE ELECTRIC CO., LTD. All Rights Reserved.
In case of consideration for using Automotive equipment / device which demand high reliability, kindly contact our sales window correspondents.



2	PHOSPHOR BRONZE	CONTACT AREA : GOLD PLATING 0.2µm MIN LEAD AREA : TIN PLATING 1µm MIN UNDER PLATING : NICKEL PLATING 0.5µm MIN	6	PS	REEL , BLACK
1	LCP	UL94V-0,BEIGE	5	POLYESTER	CLEAR(COVER TAPE)
			4	PS	CLEAR(EMBOSSED CARRIER TAPE)
			3	PHOSPHOR BRONZE	SURFACE : TIN PLATING 1µm MIN UNDER PLATING : NICKEL PLATING 0.5µm MIN
NO.	MATERIAL	FINISH , REMARKS	NO.	MATERIAL	FINISH , REMARKS

UNITS	SCALE	COUNT	DESCRIPTION OF REVISIONS	DESIGNED	CHECKED	DATE
mm	5 : 1	5	DIS-H-006791	ST. SATO	HK. UMEHARA	12. 04. 13
APPROVED : KI. AKIYAMA			10. 10. 20	DRAWING NO. EDC3-330575-01		
CHECKED : OM. MIYAMOTO			10. 10. 20	PART NO. DF59-2S-2V(51)		
DESIGNED : KT. ISHII			10. 10. 20	CODE NO. CL667-0001-0-51		
DRAWN : KT. ISHII			10. 10. 20	1/2		

Apr.1.2020 Copyright 2020 HIROSE ELECTRIC CO., LTD. All Rights Reserved.
 In case of consideration for using Automotive equipment / device which demand high reliability, kindly contact our sales window correspondents.

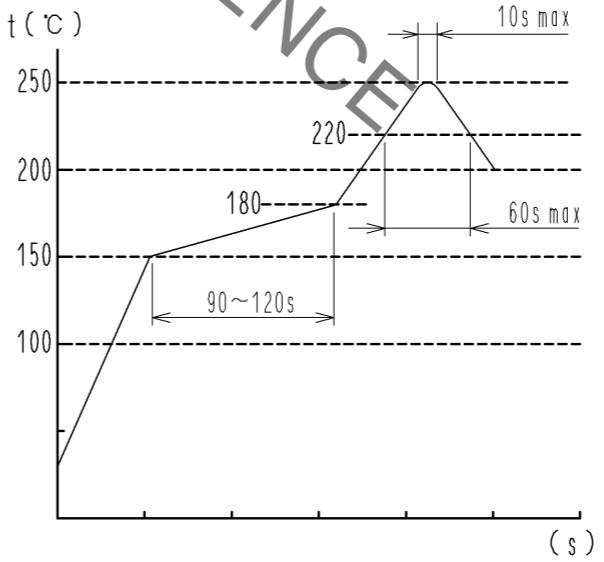


STYLE AND DIMENSION OF REEL (FREE)

DETAIL OF PART No. LABEL

生産月日	年月日
図番	CL667-0001-0-51
品名	DF59-2S-2V(51)
納入数量	2000 KO
納入者	ヒロセ電機(株)
SUPPLIER	
QUANTITY	
PART No.	
CODE No.	
DATE OF MANUFACTURED	

REFLOW TEMPERATURE PROFILE USING LEAD-FREE SOLDER PASTE (REFERENCE)



NUMBER OF REFLOW CYCLES 2 CYCLES MAX.
 THE TEMPERATURE IS MEASURED IN THE TERMINAL LEAD PART.
 ADDITIONAL FACTORS, SUCH AS SOLDER PASTE TYPE,
 PCB SIZE AND OTHER MOUNTED COMPONENTS COULD AFFECT
 THE PROFILE. THEREFORE, A THOROUGH EVALUATION OF
 MOUNTING CONDITION IS REQUIRED PRIOR TO PRODUCTION.
 TEMPERATURE IS MEASURED AT CONTACT LEAD.

- NOTE. 6 1 REEL : 2000 CONNECTORS
- 7 REEL TO JIS C 0806. (PACKAGING OF COMPONENTS FOR AUTOMATIC HANDLING)
- 8 THE DIMENSIONS IN PARENTHESES ARE FOR REFERENCE.

HRS	DRAWING NO.	EDC3-330575-01
	PART NO.	DF59-2S-2V(51)
	CODE NO.	CL667-0001-0-51
		2/2