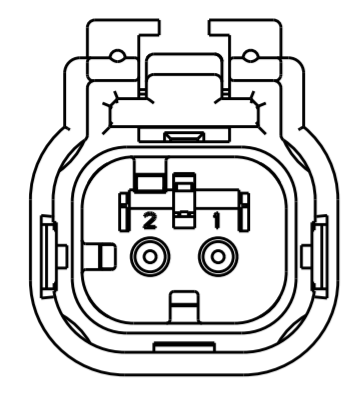
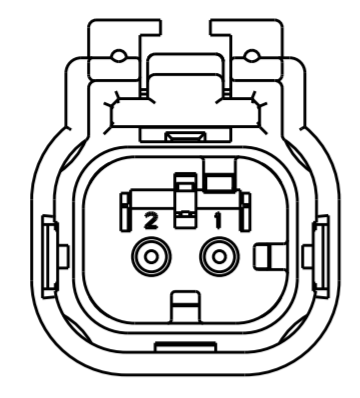


THIS DRAWING IS UNPUBLISHED. RELEASED FOR PUBLICATION 20
 © COPYRIGHT 20 BY - ALL RIGHTS RESERVED.

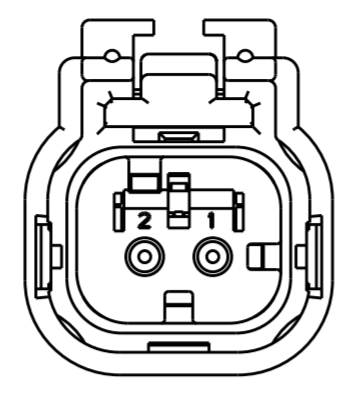
| REVISIONS | | | | |
|-----------|-----|---------------------------|-----------|-------|
| P | LTR | DESCRIPTION | DATE | APVD |
| E | | REVISED PER ECO-13-019067 | 05DEC2013 | DR RB |
| | | | | |
| | | | | |



776522-2
SCALE 2:1
KEY B

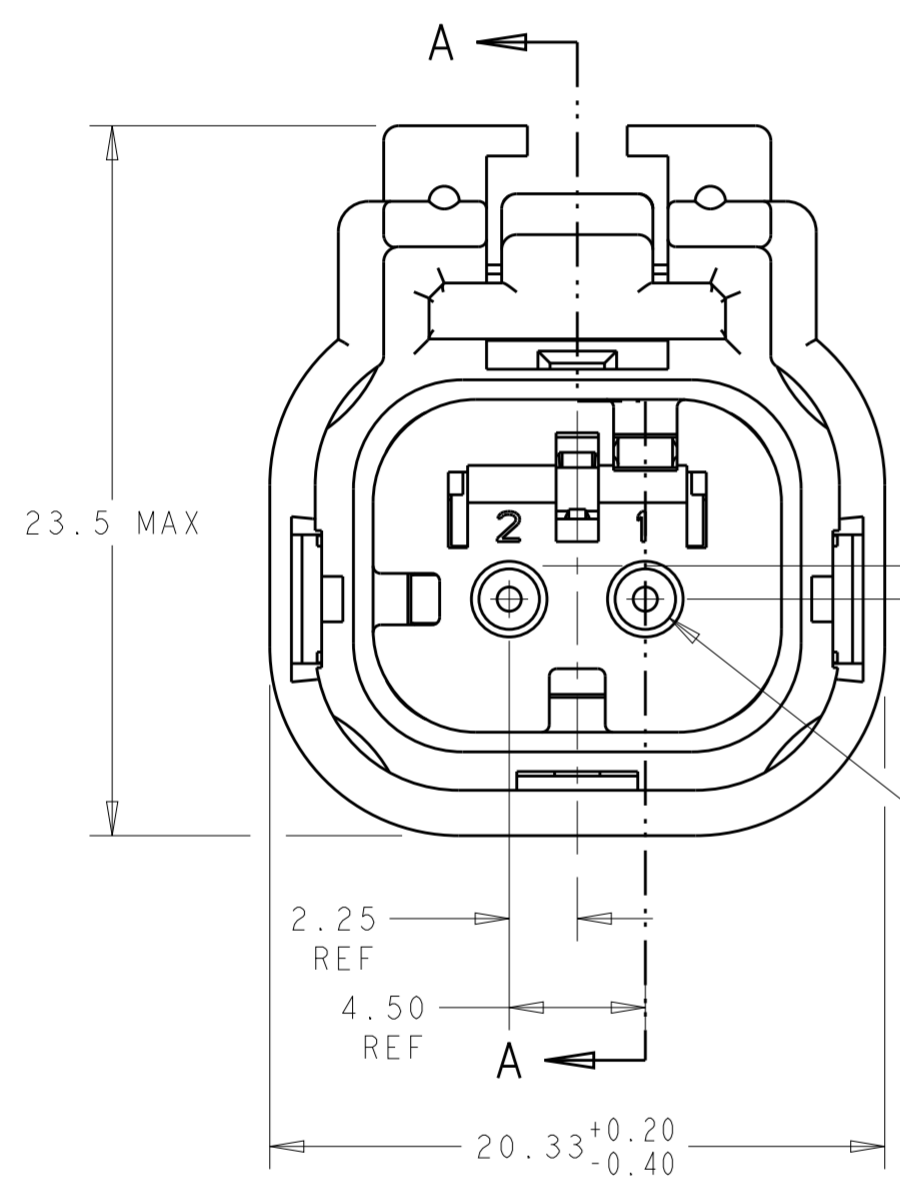


776522-3
SCALE 2:1
KEY C

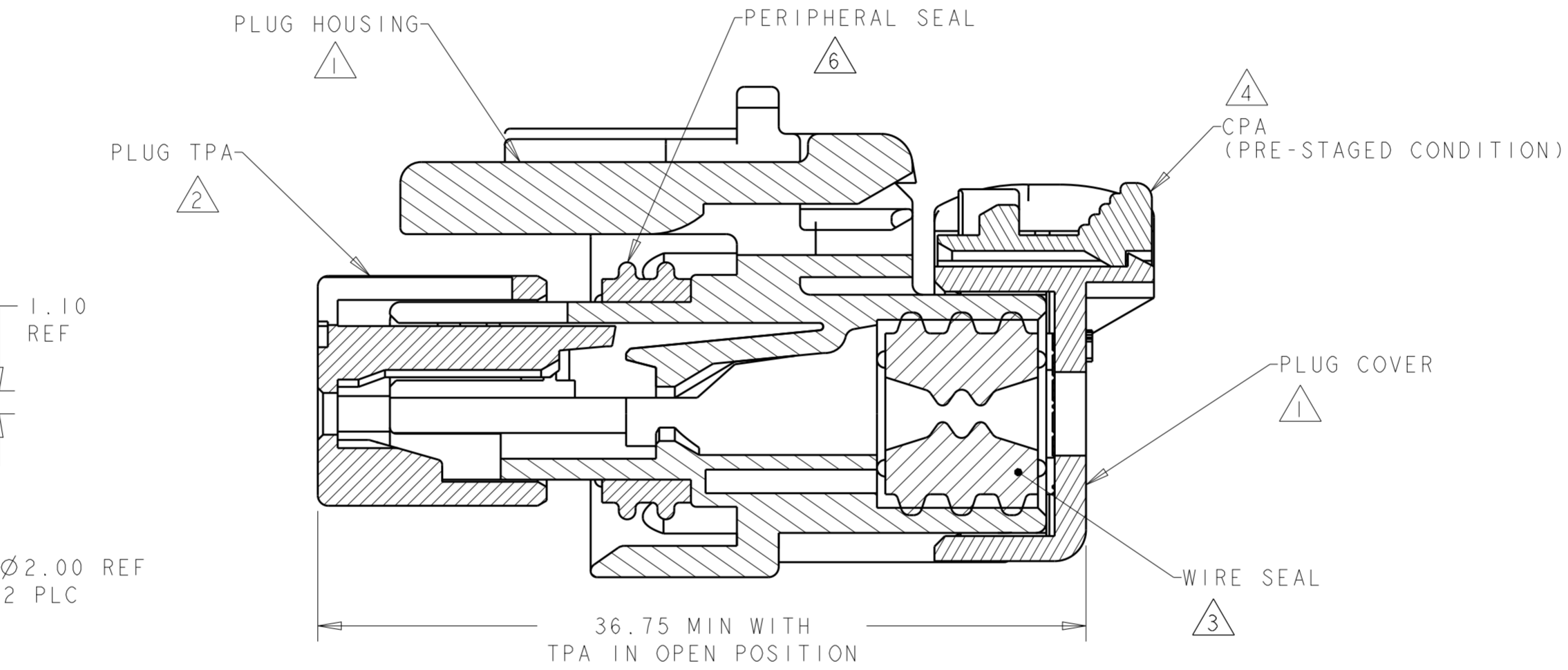


776522-4
SCALE 2:1
KEY D

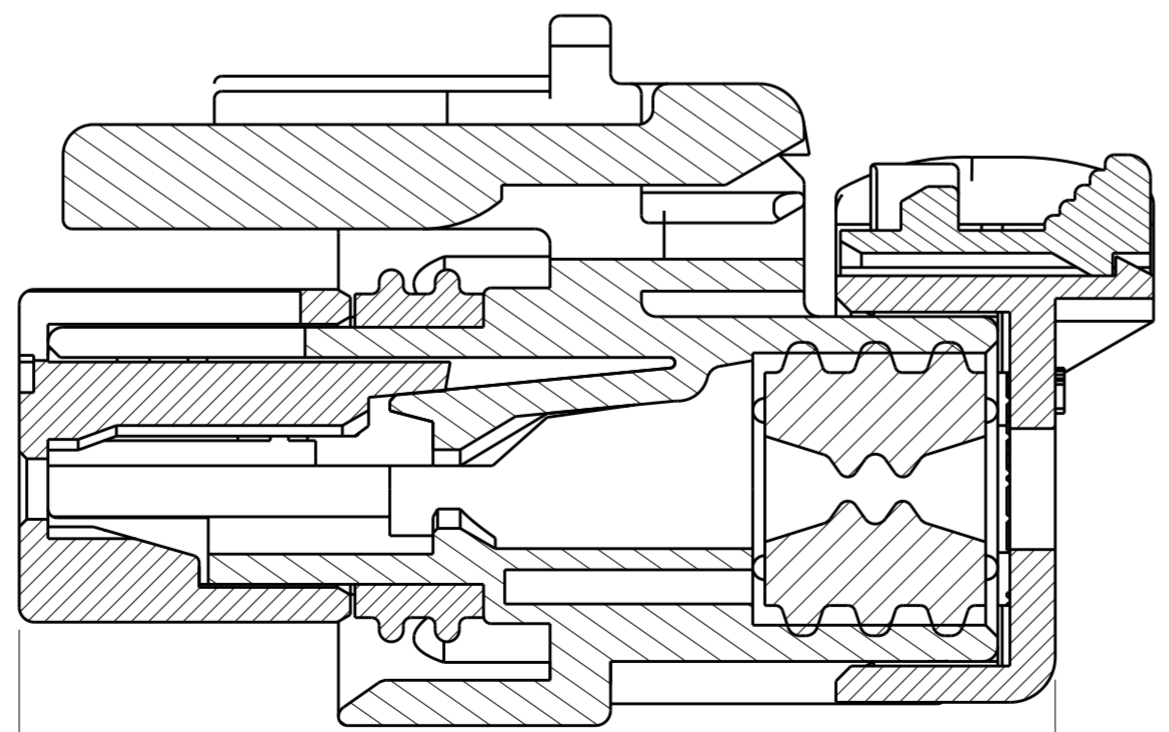
- 1 MATERIAL: 15% GLASS FILLED THERMOPLASTIC
COLOR: BLACK
- 2 MATERIAL: 15% GLASS FILLED THERMOPLASTIC
COLOR: (SEE TABLE)
- 3 MATERIAL: SILICONE
COLOR: LIGHT GRAY
- 4 MATERIAL: 15% GLASS FILLED THERMOPLASTIC
COLOR: RED
- 5. RECOMMENDED WIRE DIAMETER RANGE IS 1.30 TO 2.54mm.
- 6 MATERIAL: SILICONE
COLOR: BLUE



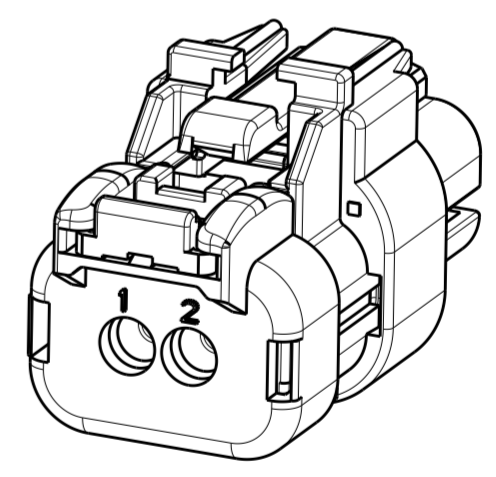
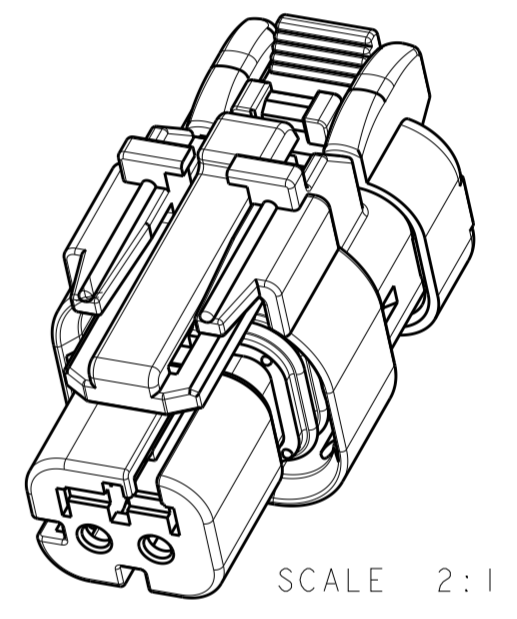
776522-1 SHOWN
KEY A



SECTION A-A



SECTION A-A



| | | |
|-----|-----------|-------------|
| D | GREEN | 776522-4 |
| C | YELLOW | 776522-3 |
| B | GRAY | 776522-2 |
| A | RED | 776522-1 |
| KEY | TPA COLOR | PART NUMBER |

THIS DRAWING IS A CONTROLLED DOCUMENT.

| | | | |
|-------------|--|------------------|--------------------------|
| DIMENSIONS: | TOLERANCES UNLESS OTHERWISE SPECIFIED: | DWN | 22FEB00 |
| mm | 0 PLC ± | CHK | 11DEC01 |
| | 1 PLC ± | APVD | 11DEC01 |
| | 2 PLC ± | PRODUCT SPEC | 108-2184 |
| | 3 PLC ± | APPLICATION SPEC | 114-13065 |
| | 4 PLC ± | WEIGHT | 8 |
| | ANGLES ± | Customer Drawing | SCALE 4:1 SHEET OF REV E |
| | FINISH - | | |

STE TE Connectivity

NAME: PLUG ASSEMBLY, 2 POSITION, SINGLE ROW, REDUCED DIA WIRE SEAL, AMPSEAL 16

SIZE: A2 CAGE CODE: 0779 DRAWING NO: C-776522 RESTRICTED TO: -

Mouser Electronics

Authorized Distributor

Click to View Pricing, Inventory, Delivery & Lifecycle Information:

[TE Connectivity:](#)

[776522-3](#)