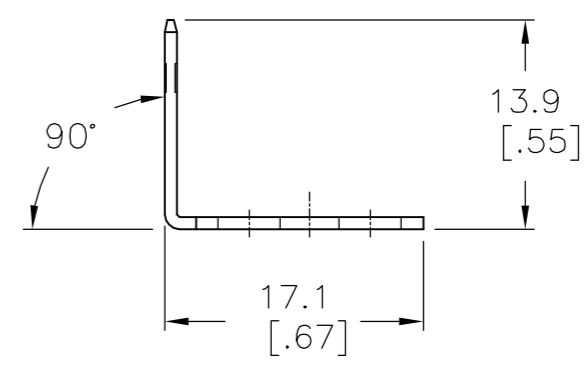
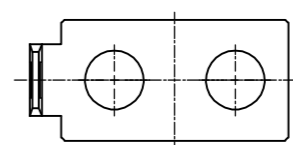
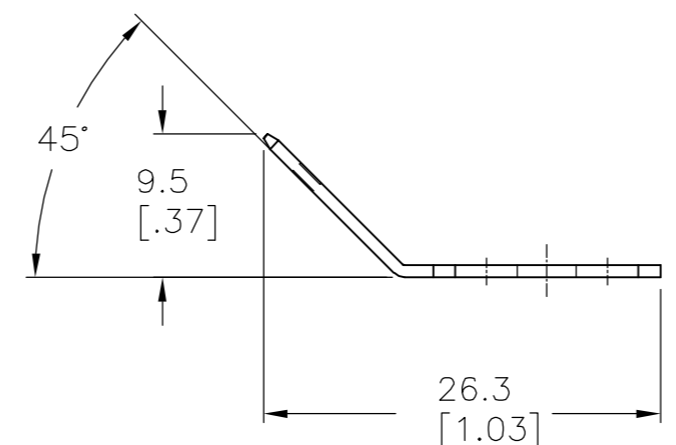
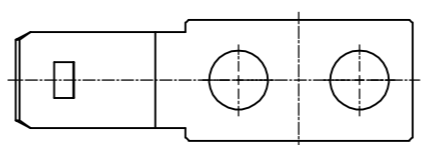
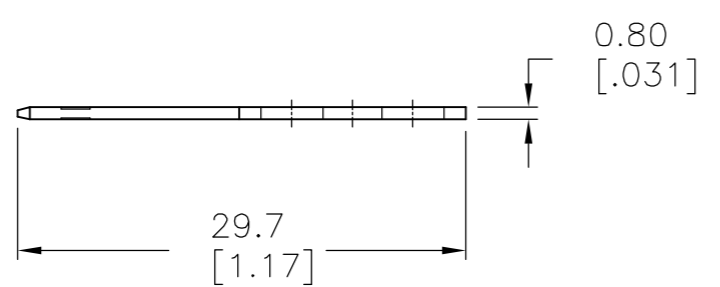
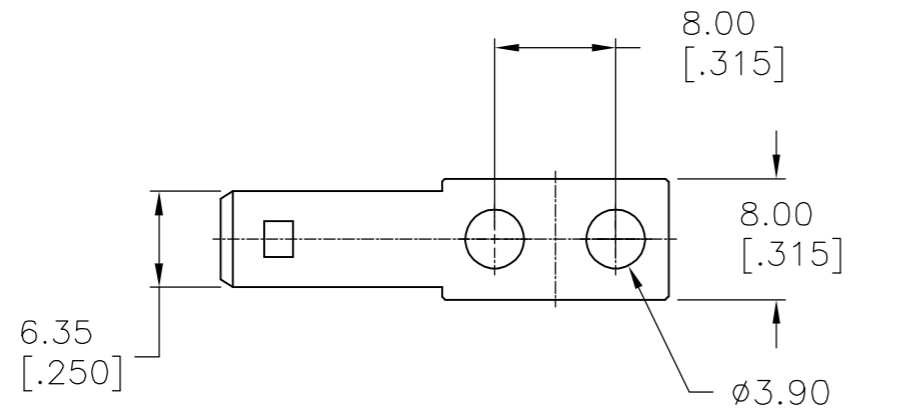


THIS DRAWING IS UNPUBLISHED. RELEASED FOR PUBLICATION
 © COPYRIGHT BY TYCO ELECTRONICS CORPORATION. ALL RIGHTS RESERVED.

LOC	DIST	REVISIONS					
FT	0	P	LTR	DESCRIPTION	DATE	DWN	APVD
		A		REVISED PER ECO-06-14693	6/22/06	SS	SRV

- 1. MATERIAL: 0.80[.032] THICK, BRASS TEMPERED.
- 2. FINISH: BRIGHT TIN PLATE.



90°, DBL SIDED	1776843-3
45°, DBL SIDED	1776843-2
FLAT, DBL SIDED	1776843-1
DESCRIPTION	PART NUMBER

THIS DRAWING IS A CONTROLLED DOCUMENT.		DWN	S SCHLEGEL	15MAY2006	Tyco Electronics Corporation Harrisburg, PA 17105-3608										
DIMENSIONS: mm [INCHES]		CHK	S YODER	5/15/06											
TOLERANCES UNLESS OTHERWISE SPECIFIED:		APVD	S YODER	5/15/06											
0 PLC ± - 1 PLC ± 0.3 2 PLC ± 0.25 3 PLC ± - 4 PLC ± - ANGLES ± 5°		PRODUCT SPEC	NAME			9.5mm DOUBLE ROW, .250 QC TABS, SINGLE SIDED									
MATERIAL	-	FINISH	-	WEIGHT	-	SIZE	A2	CAGE CODE	00779	DRAWING NO	C=1776843	RESTRICTED TO	-		
CUSTOMER DRAWING										SCALE	2:1	SHEET	1 of 1	REV	A

1776843

Mouser Electronics

Authorized Distributor

Click to View Pricing, Inventory, Delivery & Lifecycle Information:

[TE Connectivity:](#)

[1776843-3](#)