

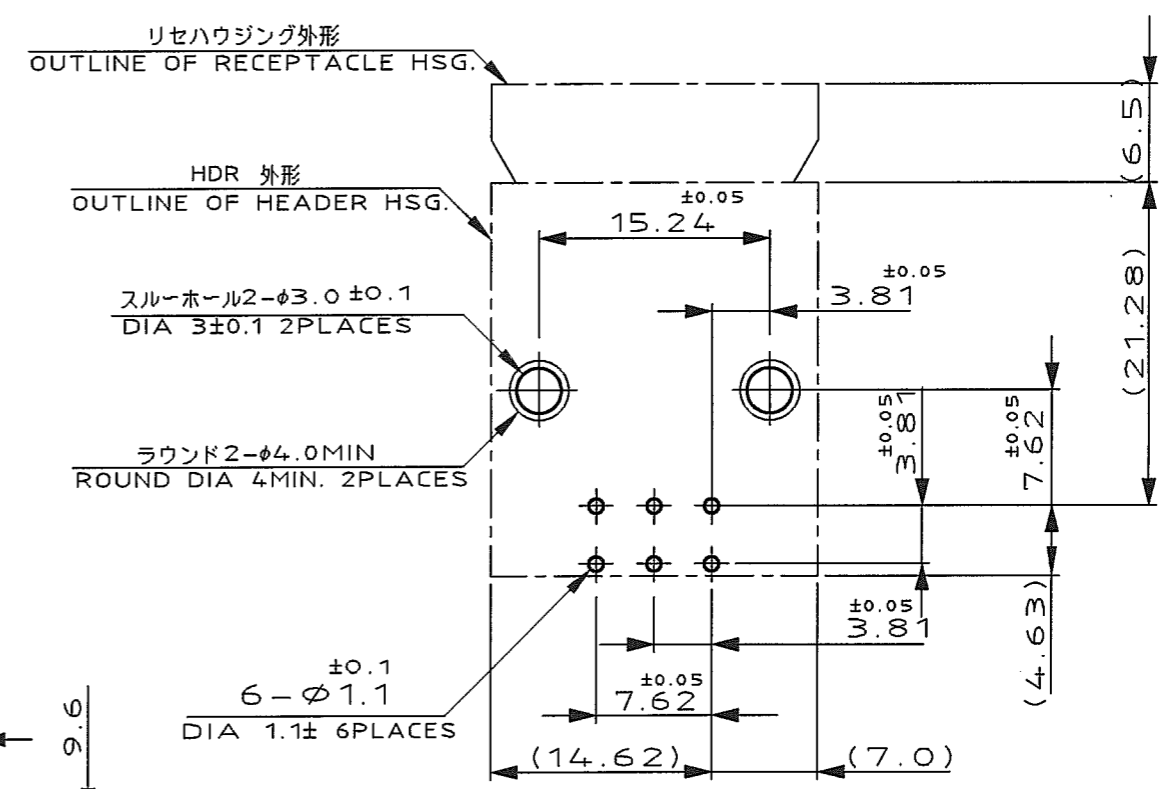
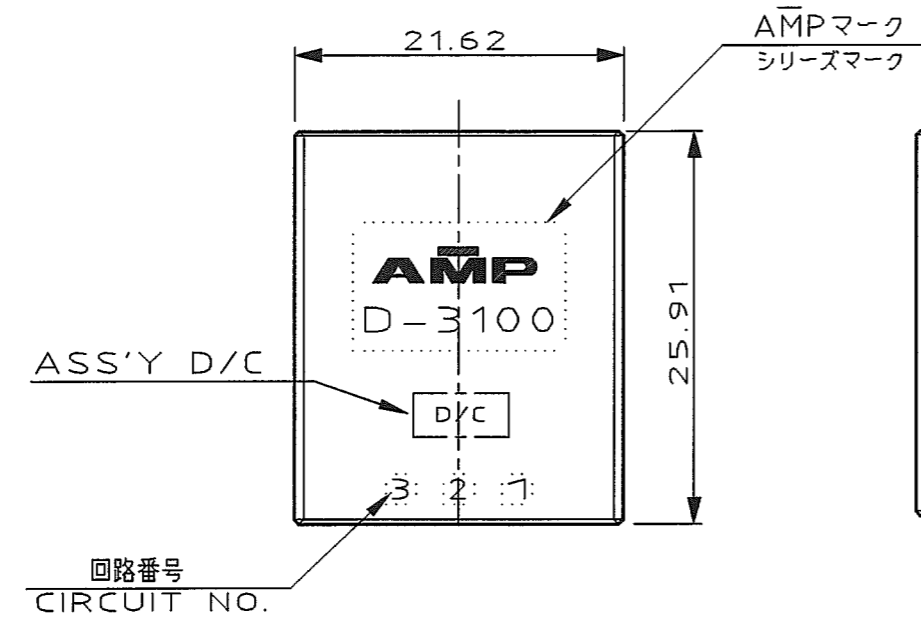
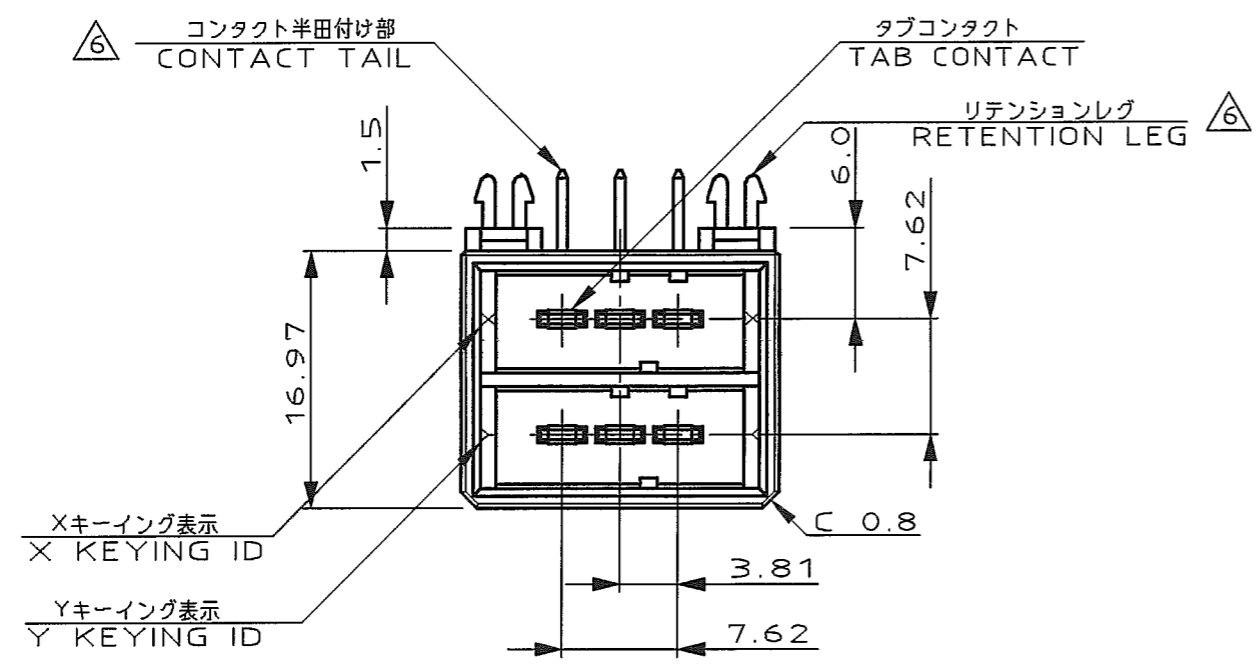
NUMBER 178137

3rd ANGLE PROJECTION

METRIC

DIMENSIONS IN MILLIMETERS. DO NOT SCALE PRINT

PRINT DIST



(非累積公差)
推奨基板取付け穴寸法 (コネクタ搭載面)
RECOMEND PC BOARD HOLL PATTERN (NOT ACCUMULATE TOLERANCE)
PC BOARD THICKNEES; 1.6±0.1 (PC 基板厚; 1.6±0.1)

- 注記
- ① 材料; ハウジング; ガラス入りポリエステル樹脂
 CONTACT; 銅合金 熱可塑性ポリエステル樹脂
 リテンションレグ; 銅合金
 - ② めっき; (CONTACT 接触部) ニッケル下地の上に 0.38μMIN 金メッキ
 - ③ めっき; (CONTACT 接触部) ニッケル下地の上に 0.76μMIN 金メッキ
 - ④ めっき; (CONTACT 全面) ニッケル下地の上に 2.0 μMIN スズメッキ
 - ⑤ (リテンションレグとCONTACT 半田付け部) ニッケル下地の上に半田メッキ
 - ⑥ めっき; リテンションレグとCONTACT 半田付け部
 : ニッケル下地の上にスズめっき

- NOTES
- ① MATERIAL HOUSING: GLASS FILED POLYESTER
 CONTACT: COPPER ALLOY
 RETENTION LEG: COPPER ALLOY
 - ② FINISH (CONTACT AREA): 0.38μMIN GOLD PLATED OVER NICKEL
 - ③ FINISH (CONTACT AREA): 0.76μMIN GOLD PLATED OVER NICKEL
 - ④ FINISH (CONTACT): 2.0 μMIN TIN PLATED OVER NICKEL
 - ⑤ FINISH (RETENTION LEG AND CONTACT TAIL): TIN-LEAD
 - PLATED OVER NICKEL
 - ⑥ FINISH (RETENTION LEG): TIN PLATED
 (CONTACT TAIL) OVER NICKEL

	XY	⑥ ④	3-178137-5
		⑥ ③	3-178137-3
	YY	⑥ ④	2-178137-5
		⑥ ③	2-178137-3
	XX	⑥ ④	1-178137-5
		⑥ ③	1-178137-3
		⑥ ②	1-178137-2
		⑥ ④	1-178137-5
		⑥ ③	1-178137-3
		⑥ ②	1-178137-2
KEYING LOCATION	KEYING NAME	FINISH	PART NO.

C1	REVISED PER ECO-11-005030	RK	HMR	24MAR11
LTR	REVISION RECORD	DR	CHK	DATE

WIRE RANGE		INSULATION DIA		NAME	
mm ² (AWG -)		mmφ		DYNAMIC D-3100 3.81 X 7.62 PITCH(H) 6POS. HDR CONN. ASS'Y (KEY; XX, YY, XY)	
MATERIAL SEE NOTE 注記参照		FINISH SEE NOTE 注記参照		一般公差 (GENERAL TOLERANCE)	SIZE LOC NUMBER
DR. Y.TANAKA 1-JULY-'92		DE. Y.TANAKA 1-JULY-'92		10% : ±0.3	A3 J C-178137
CHK. S.MANABE 6-JUL-'92		APP. S.MANABE 6-JUL-'92		10% 30% : ±0.4	SCALE REV. SHEET
				30% 100% : ±0.45	2-1 C1 1 OF 1
				角度 : ±3'	

Mouser Electronics

Authorized Distributor

Click to View Pricing, Inventory, Delivery & Lifecycle Information:

[TE Connectivity:](#)

[1-178137-2](#)