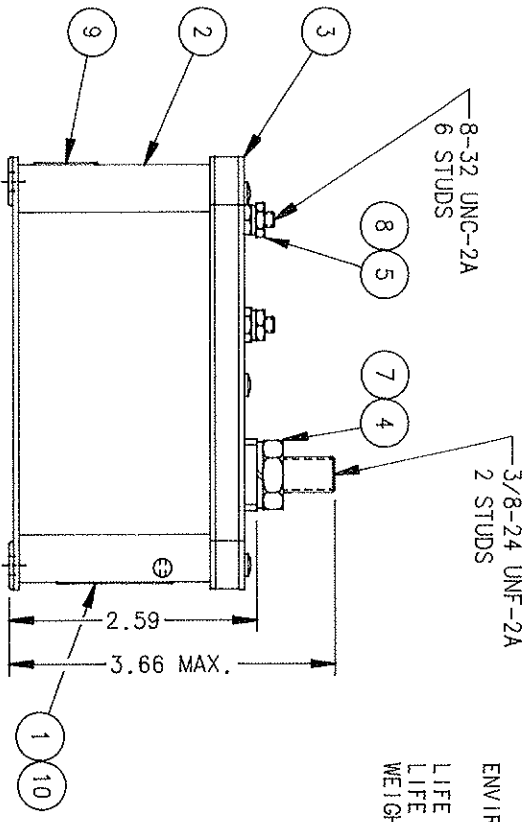
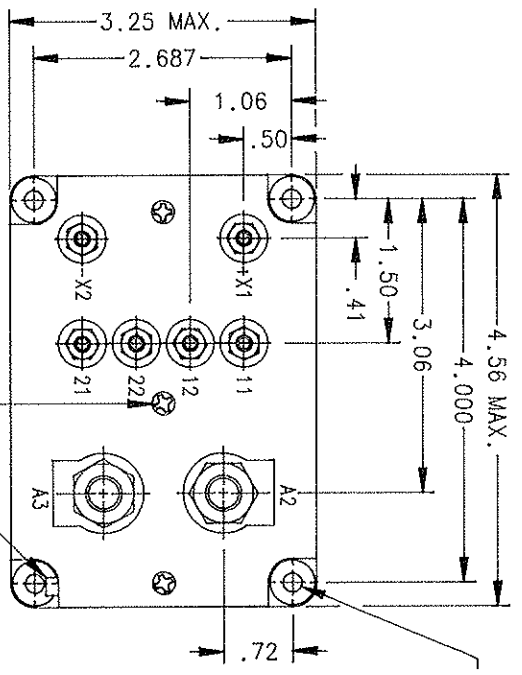


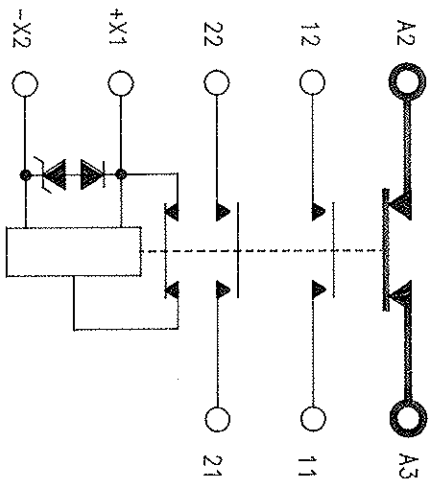
REV.	DESCRIPTION	DATE	APPROVED
F	22972 REDRAWN, ADDED ITEM 10	3/2/93	MS
G	25081 ITEM 2 WAS 37084-010	11/15/93	MS

A-931F
REV. G



CONSTRUCTION MAIN CONTACTS
 CONFIGURATION VOLTAGE (NOMINAL)
 CURRENT: RES. AUXILIARY CONTACTS
 CONFIGURATION VOLTAGE
 CURRENT: RES.
 COIL DATA
 DUTY CYCLE
 MAXIMUM OPERATE MINIMUM OPERATE
 PICKUP INITIAL DROP-OUT VOLTAGE
 RESISTANCE: INRUSH HOLD
 SUPPRESSION ENVIRONMENTAL DATA
 OPERATE TEMP. LIFE ELECTRICAL
 LIFE MECHANICAL WEIGHT, MAX.

GASKET SEALED (VENTED)
 SPST N.C.
 28 VDC
 600 AMP (1000 AMP 30 SEC., 800 AMP 5 MIN.)
 DPST
 28 VDC
 5 AMP
 CONTINUOUS, ECONOMIZING
 30 VDC
 18 VDC
 10 VDC MAX. AT 71°C
 1 VOLT TO 7 VOLTS
 3 OHM ±20% AT 25°C
 80 OHM ±20% AT 25°C
 45V PEAK



FIND NO	QTY	IDENTIFYING NO	PART OR NAME	NOMENCLATURE OR DESCRIPTION	FSCM NO	DRAWING OR SPECIFICATION	MATERIAL OR NOTE
10	1	39529-001	OVERLAY				
9	1	25695-001	PLATE - WARNING				
8	6	51808-064	WASHER - LOCK .307 MAX. .047 SPLIT				BRONZE
7	2	51807-084	WASHER - LOCK 3/8 X .688 X .094 SPLIT				BRONZE
6	3	51200-020	SCREW NO. 4 X 1/4 SHEET METAL PAN HD.				S.S.
5	6	50408-034	NUT 8-32 X 5/16 X 3/32 HEX.				BRASS
4	2	50407-164	NUT 3/8-24 X 5/8 X 7/32 HEX.				BRASS
3	1	37793-001	PLATE - BASE COVER				
2	1	37804-010	CONTACTOR ASSEMBLY - PRIMARY				
1	1	16043-042	PLATE - NAME				

UNLESS OTHERWISE SPECIFIED DIMENSIONS ARE IN INCHES TOLERANCES IN

2 PL DEC. 3 PL DEC. ANGLES

* .06 * .01 * 1°

MATERIAL

REF. CESSNA C III

DR BY LCB 11/29/93
 CHK BY WBS 11-30-93
 ENGR 10/19-93
 MFG 10/22-93

RELEASE
 CONTR NO.
 GOVT APPVL

HARTMAN ELECTRICAL MANUFACTURING
 MANSFIELD, OHIO

CONTACTOR SPST-N.C.
 600A 28 VDC

SIZE CODE IDENT DIMS NO.
 C 74063 A-931F

SCALE NONE SHEET

093

Mouser Electronics

Authorized Distributor

Click to View Pricing, Inventory, Delivery & Lifecycle Information:

[TE Connectivity:](#)

[A931F](#)