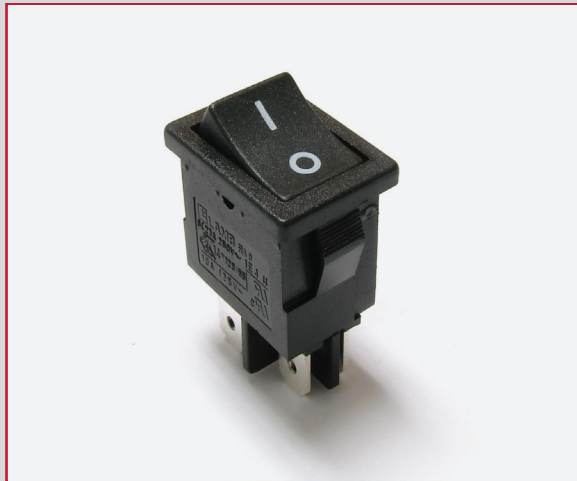
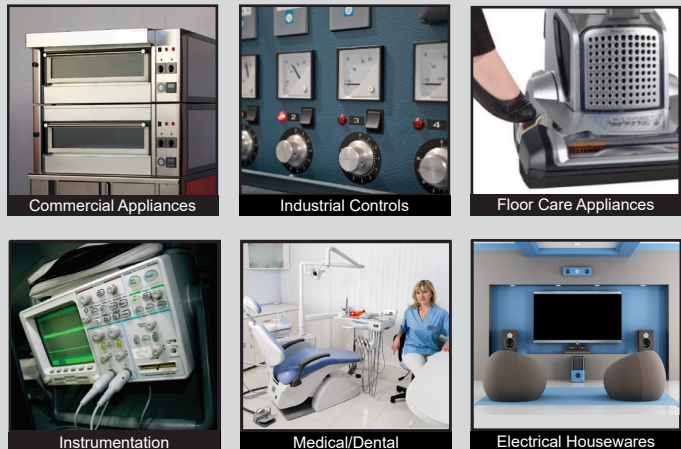


# RA8 SERIES ROCKER SWITCH

ANTI-VANDAL SWITCHES  
DETECTOR SWITCHES  
DIP SWITCHES  
KEYLOCK SWITCHES  
NAVIGATION SWITCHES  
PUSHBUTTON SWITCHES  
ROCKER SWITCHES  
ROTARY SWITCHES  
SLIDE SWITCHES  
SNAP ACTION SWITCHES  
TACTILE SWITCHES  
TOGGLE SWITCHES  
CAP OPTIONS



## APPLICATIONS / MARKETS



**RoHS**

## SPECIFICATIONS

### Electrical Rating:

Option 3: 10A 125VAC [cURus]  
6(2)A 250VAC T125/55 1E4 [ENEC]  
Option C: 16A @ 125VAC 1/3HP T105 [cURus]  
10A @ 250VAC 1/3HP T105 [cURus]  
10(4)A 250V~ 1E4 T125/55 [ENEC]  
10(2)A 250V~ 5E4 T85/55 [ENEC]

**Operating Temperature:** -20°C to 55°C  
**Electrical Life:** 10,000 Cycles  
**Mechanical Life:** 100,000 Cycles  
**Contact Resistance:** 35mΩ Max. at 500VDC  
**Insulation Resistance:** 500MΩ Min. at 500VDC  
**Dielectric Strength:** 1,500VAC for 1 min.

## FEATURES & BENEFITS

- High Contact Rating Switch
- Industry Standard 13mm x 19mm Cutout
- Illumination Options
- Multiple Marking Options
- Multiple Terminal Options
- 1 or 2 Pole Maintained Functions

## PART NUMBER CONFIGURATOR

Series	Terminal	Function	Rating	Body Color	Actuator Color	Marking Color	Marking Type	Lens Style	Lens Color	Lamp Voltage
RA8	1 - 4.8mm Tab 3 - PCB Pins	1 - 1 Pole Off-On 2 - 2 Pole Off-On	3 - 10A 125VAC C - 16A 125VAC	1 - Black 2 - White 4 - Grey 9 - Red	0 - Illuminated 1 - Black 2 - White 4 - Grey 9 - Red	0 - None 1 - Black 2 - White 8 - Red	0 - None 1 - I/O Vertical 3 - ON-OFF Vertical 4 - ON-OFF Horizontal R - I/O Horizontal	None - Not Illuminated 1 - Full	None - Not Illuminated 0 - White 1 - Red 2 - Orange 3 - Green	None - Not Illuminated 3 - 6V 4 - 12V 6 - 125V 7 - 250V

Notes:  
Custom Colors and Markings Available Upon Request

Specifications subject to change without notice 10.29.2018



**E-SWITCH®**

www.e-switch.com

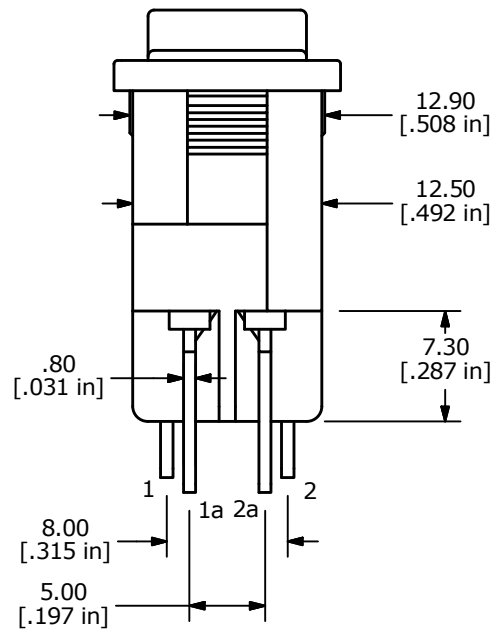
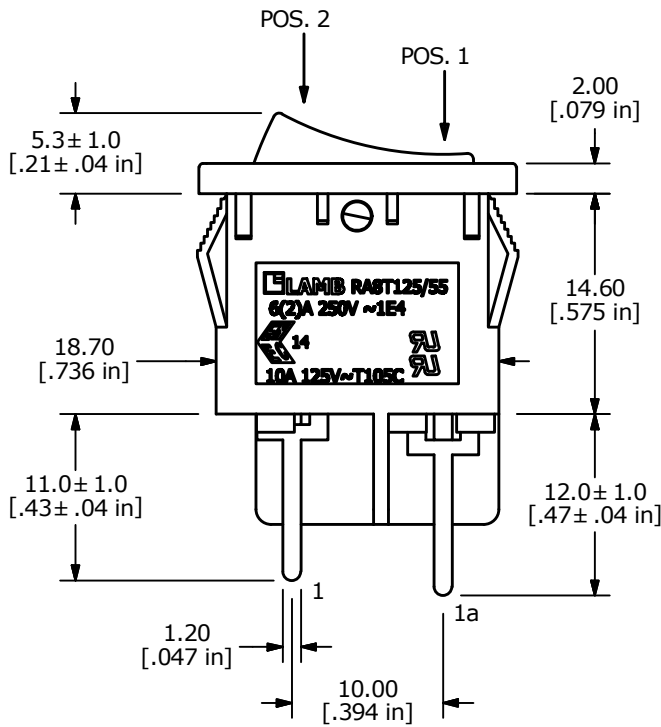
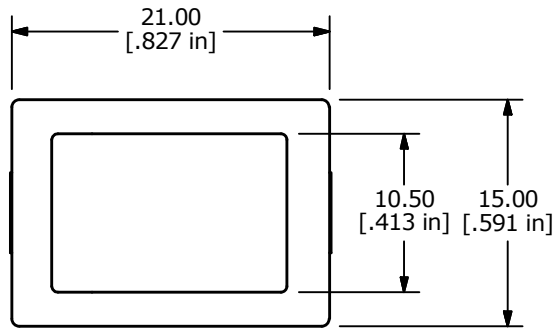
800.867.2717

1

# RA8 SERIES ROCKER SWITCH

## BODY DIMENSIONS

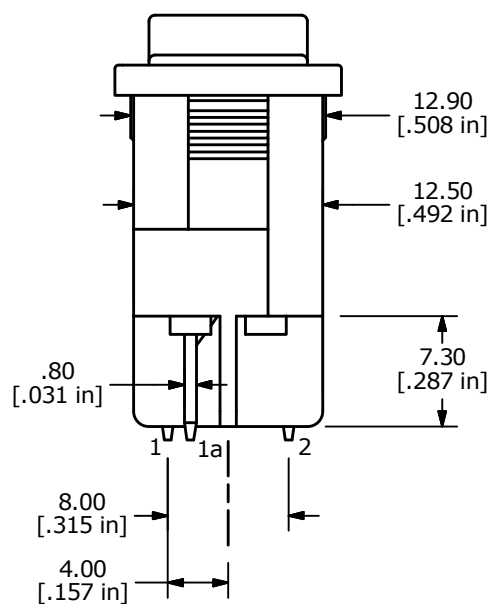
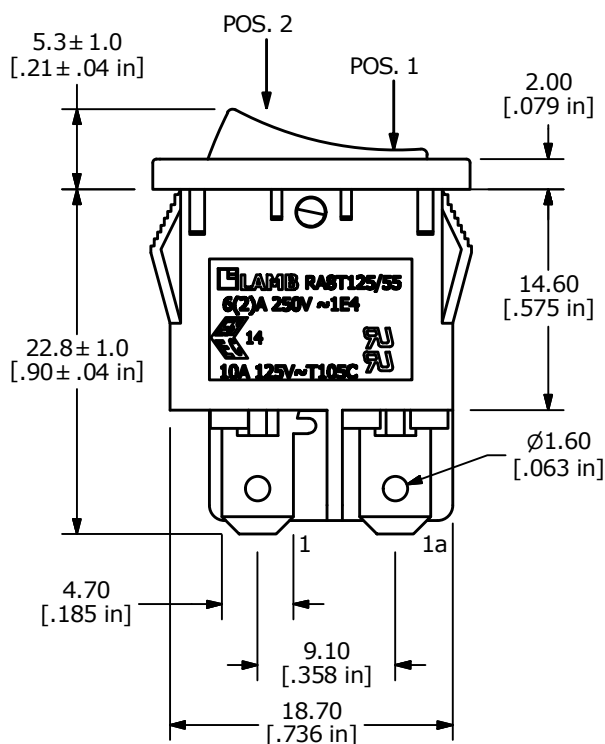
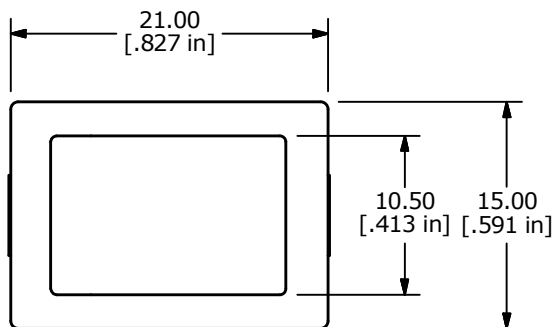
FUNCTION - 2 POLE /  
 TERMINAL - 3 (PCB Pins) / LENS STYLE - NONE



# RA8 SERIES ROCKER SWITCH

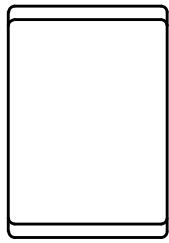
## BODY DIMENSIONS

FUNCTION - 1 POLE /  
 TERMINAL - 1 (4.8mm TAB) / LENS STYLE - 1 FULL ILLUMINATION

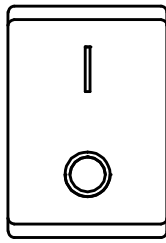


# RA8 SERIES ROCKER SWITCH

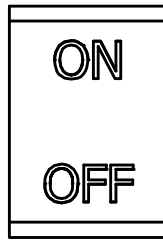
## MARKING TYPE



0 - NONE



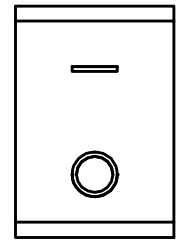
1 - I/O  
VERTICAL



3 - ON-OFF  
VERTICAL

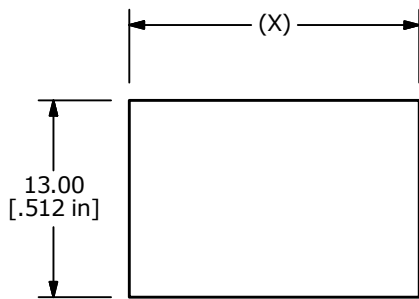


4 - ON-OFF  
HORIZONTAL

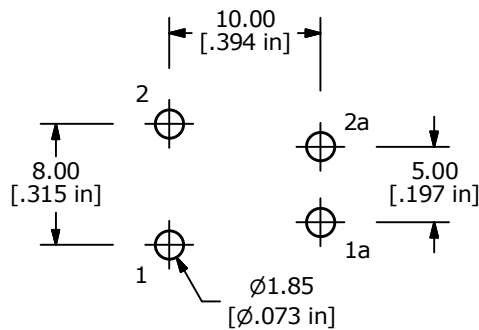


R - I/O  
HORIZONTAL

## PANEL CUT OUT, PCB LAYOUT, & SCHEMATICS

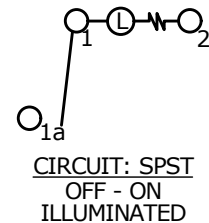
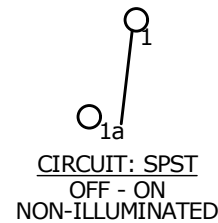


PANEL THICKNESS	X
0.75 - 1.25	19.2
1.25 - 2.00	19.4
2.00 - 3.00	19.6

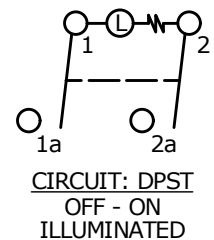
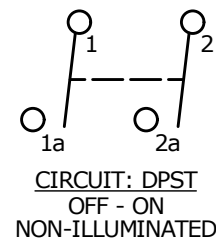


RECOMMENDED PANEL CUTOUT AND PCB LAYOUT

SWITCH FUNCTION	
POS. 1	POS. 2
OFF	ON
OPEN	1-1a, 2



SWITCH FUNCTION	
POS. 1	POS. 2
OFF	ON
OPEN	1-1a, 2-2a



SCHEMATIC OPTIONS



# Mouser Electronics

Authorized Distributor

Click to View Pricing, Inventory, Delivery & Lifecycle Information:

## E-Switch:

[RA811C1021-117](#) [RA811C1100](#) [RA812C1000-127](#) [RA812C1021-116](#) [RA812C1100](#) [RA812C1121](#) [RA852C1028-137](#) [RA852C112R](#) [RA81231121](#) [RA852C1000-117](#) [RA852C1000-127](#) [RA812E1121](#) [RA812C1028-136](#)  
[RA811CQQ00](#) [RA811C1000-127](#) [RA811C2200](#) [RA852C1021-137](#) [RA812C1900](#) [RA811C3300](#) [RA81231018-137](#)