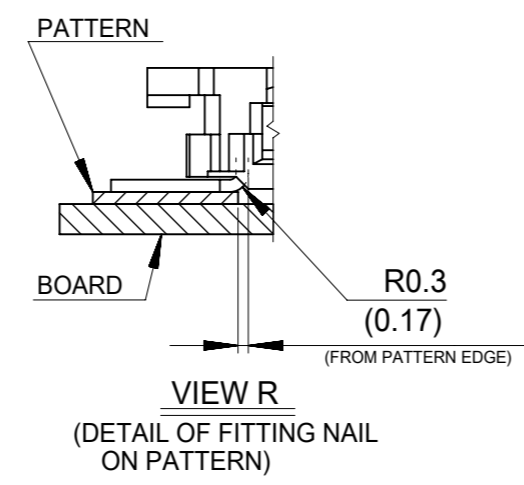
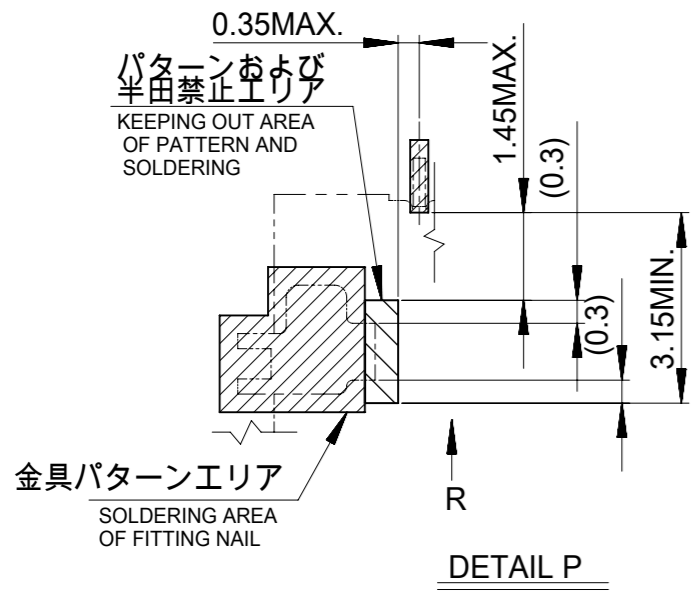
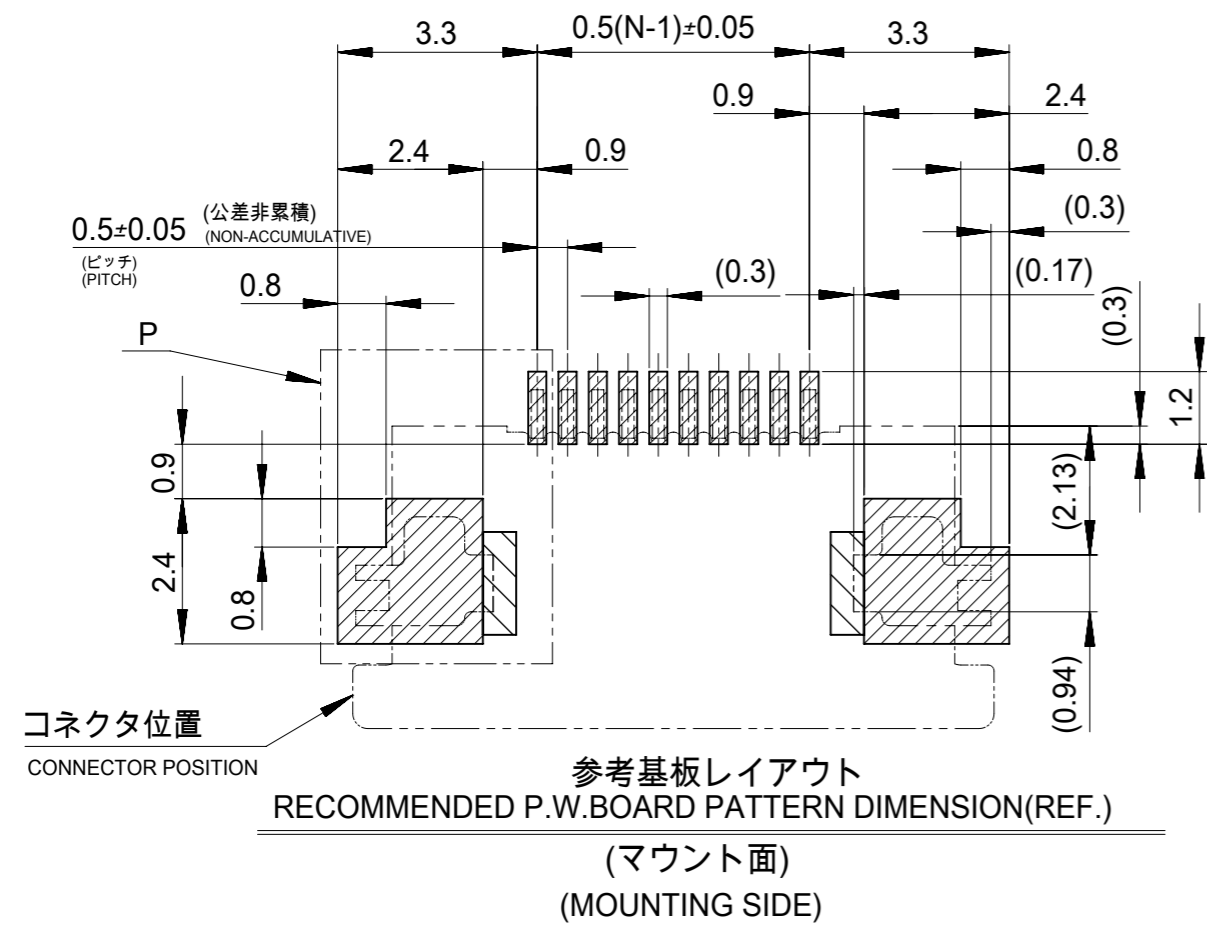


30.5	29.3	25.65	24.5	54132-5062	50
28.0	26.8	23.15	22.0	54132-4562	45
27.0	25.8	22.15	21.0	54132-4362	43
25.5	24.3	20.65	19.5	54132-4062	40
24.5	23.3	19.65	18.5	54132-3862	38
23.5	22.3	18.65	17.5	54132-3662	36
23.0	21.8	18.15	17.0	54132-3562	35
22.5	21.3	17.65	16.5	54132-3462	34
22.0	20.8	17.15	16.0	54132-3362	33
21.5	20.3	16.65	15.5	54132-3262	32
20.5	19.3	15.65	14.5	54132-3062	30
D	C	B	A	EMBOSSSED TAPE	CKT.
ORDER No. オーダー番号					
CONNECTOR SERIES NO. : 54132-**68					

GENERAL TOLERANCES (UNLESS SPECIFIED) 10 UNDER ± 0.2 10 OVER 30 UNDER ± 0.25 30 OVER ± 0.3 ANGULAR ± 3 ° DRAFT WHERE APPLICABLE MUST REMAIN WITHIN DIMENSIONS		DIMENSION UNITS: mm SCALE: 5:1 GENERAL TOLERANCES (UNLESS SPECIFIED) ANGULAR TOL ± 3.0 ° 4 PLACES ± 0.2 3 PLACES ± 0.25 2 PLACES ± 0.3 1 PLACE ± 0 PLACES ± DRAFT WHERE APPLICABLE MUST REMAIN WITHIN DIMENSIONS	CURRENT REV DESC: EC NO: 600082 DRWN: YCHEN128 2018/03/02 CHK'D: KTAKAHASHI 2018/03/14 APPR: NUKITA 2018/03/14 INITIAL REVISION: DRWN: MUMEDA 2004/10/08 APPR: NUKITA 2004/10/14 THIRD ANGLE PROJECTION DRAWING: A3-SIZE SERIES: 54132	molex 0.5 FPC CONN. ZIF SMT R/A BOTTOM CONTACT NI-BARRIER GOLD PLATING PRODUCT CUSTOMER DRAWING DOCUMENT NUMBER: SD-54132-064 DOC TYPE: PSD DOC PART: 001 REVISION: G MATERIAL NUMBER: SEE TABLE CUSTOMER: GENERAL MARKET SHEET NUMBER: 1 OF 3
---	--	---	--	---

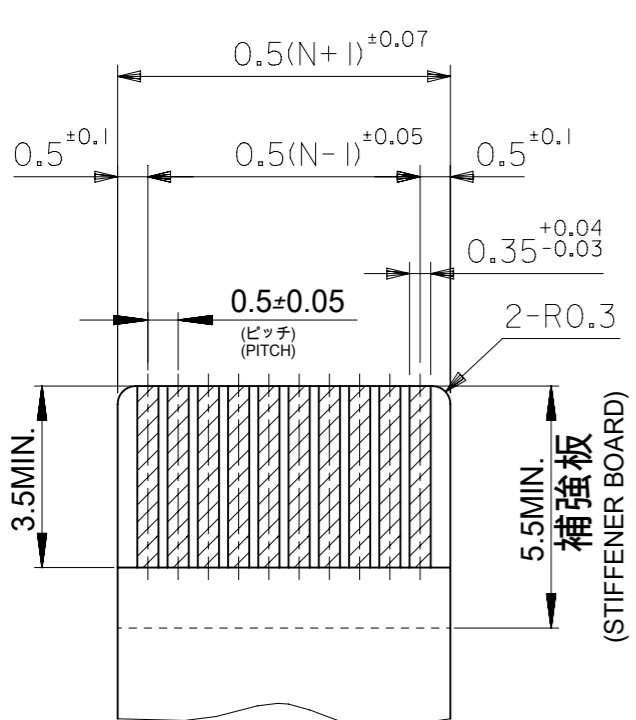
注記NOTES

- 1.使用材料 MATERIAL
 ハウジング : 46ナイロン、ガラス充填、UL94V-0、白
 HOUSING:PA46, GLASS FILLED, UL94V-0, WHITE
 アクチュエータ : ポリフェニレンサルファイド (PPS)、ガラス充填、UL94V-0、黒
 ACTUATOR: POLYPHENYLENE SULFIDE, GLASS FILLED, UL94V-0, BLACK
 ターミナル : リン青銅(t=0.2) 金メッキ 接触部 0.1 MICROMETER MINIMUM
 テール部 0.05 MICROMETER MINIMUM
 ニッケル下地 1.0 MICROMETER MINIMUM
 TERMINAL PHOS-BRONZE GOLD-PLATING
 CONTACT PORTION : 0.1 MICROMETER MINIMUM
 TAIL PORTION : 0.05 MICROMETER MINIMUM
 NICKEL PLATING : 1.0 MICROMETER MINIMUM
 金具 : リン青銅(t=0.2) 錫メッキ 1.0~3.0 MICROMETER MINIMUM
 ニッケル下地 1.0~3.0 MICROMETER MINIMUM
 FITTING NAIL : PHOS-BRONZE TIN-PLATING 1.0~3.0 MICROMETER MINIMUM
 OVER NICKEL 1.0~3.0 MICROMETER MINIMUM
- 2.エンボステープ梱包時はアクチュエータがロックした状態とする。
 IN THE PACKAGE, ACTUATOR OF PART NO.54132-**68 SHOULD BE LOCKED.
- 3.△ ソルダータール半田付け面のズレ量、および金具半田付け面のズレ量は基準面 H に対し上方向 0.1MAXIMUM、下方向 0.15MAXIMUMとする。
 MISALIGNMENT OF SOLDER TAILS AND FITTING NAILS FROM DATUM-H
 UPPER DIRECTION : 0.1MAXIMUM, LOWER DIRECTION : 0.15 MAXIMUM.
- 4.△ 偶数極に適用。
 APPLY FOR EVEN CIRCUIT.
- 5.△ パターンはく離止め金具。
 FITTING NAIL FOR PREVENTION OF PEELING OF P.W.BOARD PATTERN.
- 6.本製品は54132-**61に対するニッケルバリア品になります。
 THIS PRODUCT IS NICKEL-BARRIER OF 54132-**61.
- 7.ELV & RoHS適合品。
 ELV AND RoHS COMPLIANT.

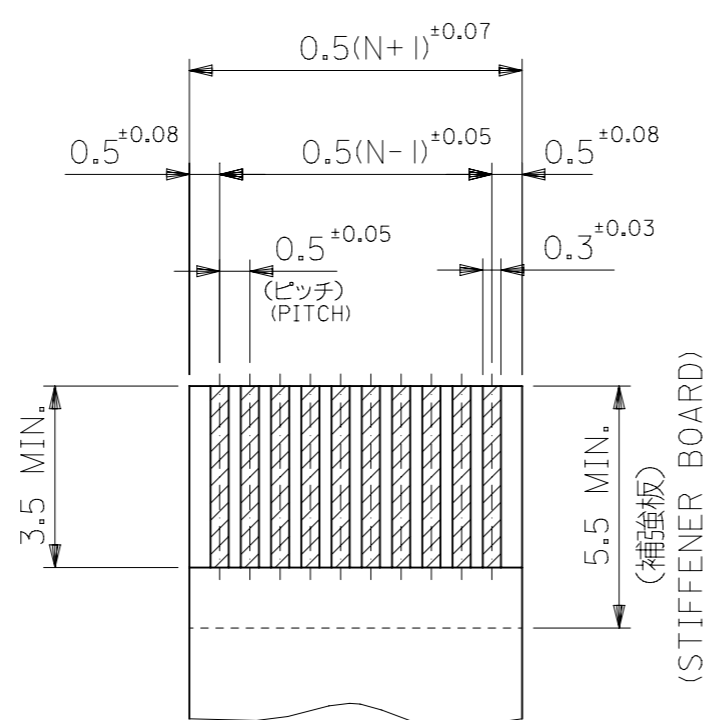


GENERAL TOLERANCES (UNLESS SPECIFIED)	
10 UNDER	± 0.2
10 OVER 30 UNDER	± 0.25
30 OVER	± 0.3
ANGULAR ± 3 °	
DRAFT WHERE APPLICABLE MUST REMAIN WITHIN DIMENSIONS	

THIS DRAWING CONTAINS INFORMATION THAT IS PROPRIETARY TO MOLEX ELECTRONIC TECHNOLOGIES, LLC AND SHOULD NOT BE USED WITHOUT WRITTEN PERMISSION		CURRENT REV DESC:		molex	
DIMENSION UNITS	SCALE	EC NO: 600082			
mm	8:1	DRWN: YCHEN128 2018/03/02		R/A BOTTOM CONTACT NI-BARRIER GOLD PLATING	
GENERAL TOLERANCES (UNLESS SPECIFIED)		CHK'D: KTAKAHASHI 2018/03/14		PRODUCT CUSTOMER DRAWING	
ANGULAR TOL ± 30 °		APPR: NUKITA 2018/03/14		DOCUMENT NUMBER	
4 PLACES ± 0.2		INITIAL REVISION:		DOC TYPE	
3 PLACES ± 0.25		DRWN: MUMEDA 2004/10/08		DOC PART	
2 PLACES ± 0.3		APPR: NUKITA 2004/10/14		REVISION	
1 PLACE ±		SERIES		SD-54132-064	
0 PLACES ±		MATERIAL NUMBER		PSD 001 G	
DRAFT WHERE APPLICABLE MUST REMAIN WITHIN DIMENSIONS		THIRD ANGLE PROJECTION		CUSTOMER	
		DRAWING		GENERAL MARKET	
		A3-SIZE		SHEET NUMBER	
		54132		2 OF 3	

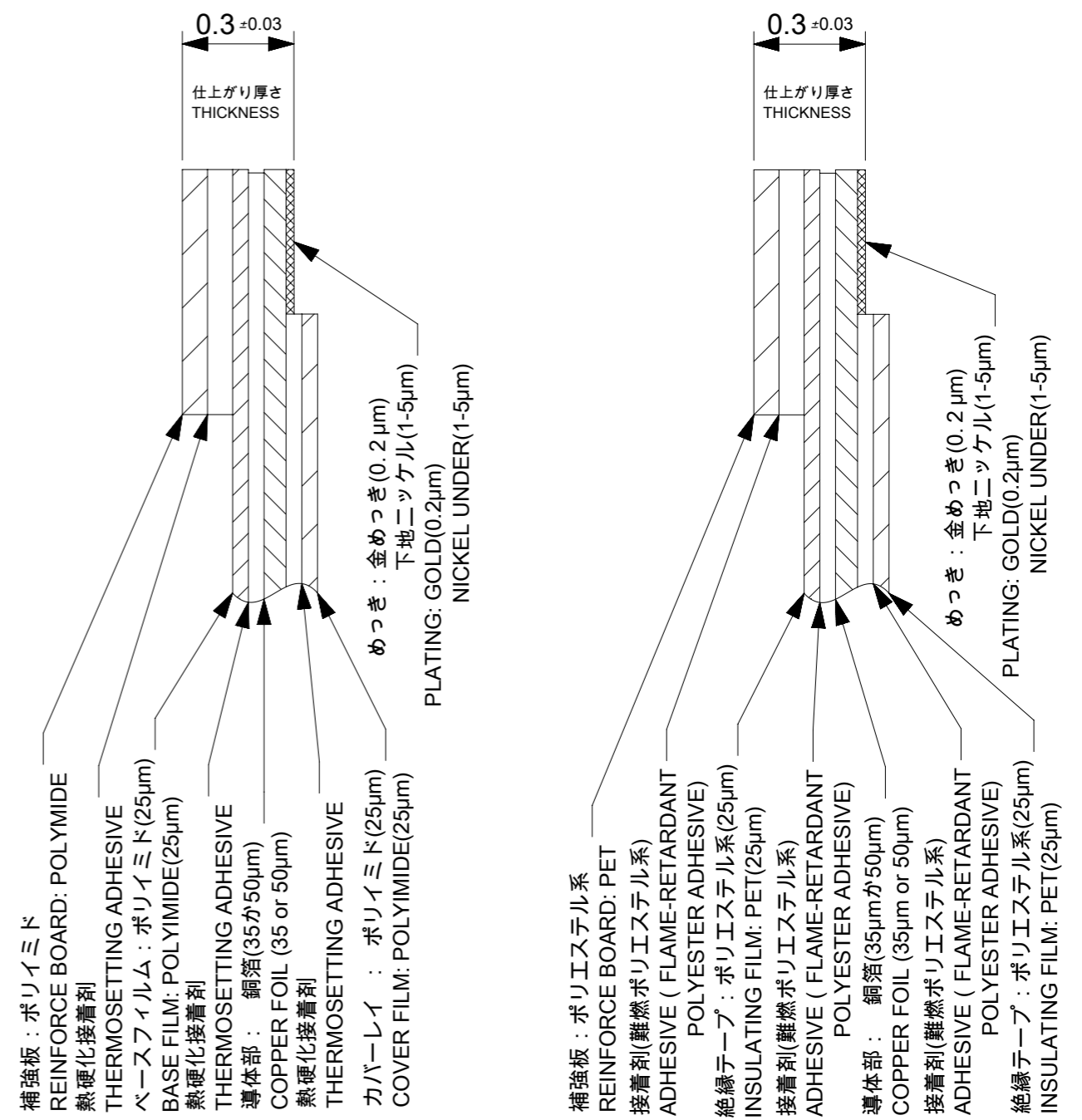


適合金めっきFPC推奨寸法
 APPLICABLE FPC OF GOLD PLATING
 RECOMMENDED DIMENSION
 (仕上がり厚さ : 0.3±0.03)
 (THICKNESS : 0.3±0.03)



適合金めっきFFC推奨寸法
 APPLICABLE FFC OF GOLD PLATING
 RECOMMENDED DIMENSION
 (仕上がり厚さ : 0.3±0.03)
 (THICKNESS : 0.3±0.03)

FPC/FFCについて:
 打ち抜き方向は導体側から補強板側を推奨いたします。
 RECOMMENDED PUNCHER DIRECTION
 FROM CONDUCTOR SIDE TO STIFFENER BOARD SIDE.



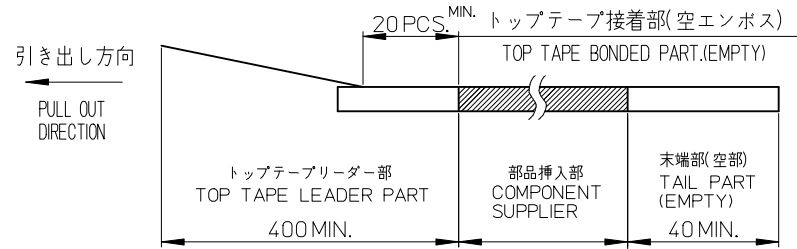
FPC構成推奨仕様
 STRUCTURE OF FPC

FFC構成推奨仕様
 STRUCTURE OF FFC

GENERAL TOLERANCES (UNLESS SPECIFIED) 10 UNDER ± 0.2 10 OVER 30 UNDER ± 0.25 30 OVER ± 0.3 ANGULAR ± 3 ° DRAFT WHERE APPLICABLE MUST REMAIN WITHIN DIMENSIONS		DIMENSION UNITS: mm SCALE: 8:1 ANGULAR TOL ± 30 ° 4 PLACES ± 0.2 3 PLACES ± 0.25 2 PLACES ± 0.3 1 PLACE ± 0 PLACES ± DRAFT WHERE APPLICABLE MUST REMAIN WITHIN DIMENSIONS	CURRENT REV DESC: EC NO: 600082 DRWN: YCHEN128 2018/03/02 CHK'D: KTAKAHASHI 2018/03/14 APPR: NUKITA 2018/03/14 INITIAL REVISION: DRWN: MUMEDA 2004/10/08 APPR: NUKITA 2004/10/14 THIRD ANGLE PROJECTION DRAWING: A3-SIZE SERIES: 54132	molex 0.5 FPC CONN. ZIF SMT R/A BOTTOM CONTACT NI-BARRIER GOLD PLATING PRODUCT CUSTOMER DRAWING DOCUMENT NUMBER: SD-54132-064 DOC TYPE: PSD DOC PART: 001 REVISION: G MATERIAL NUMBER: SEE TABLE CUSTOMER: GENERAL MARKET SHEET NUMBER: 3 OF 3
--	--	--	--	---

NOTE

- 1. 梱包数量 : 1500個/リール
NUMBER OF CONNECTORS : 1500PCS/REEL
- 2. リードテープ長さ
LEAD TAPE LENGTH

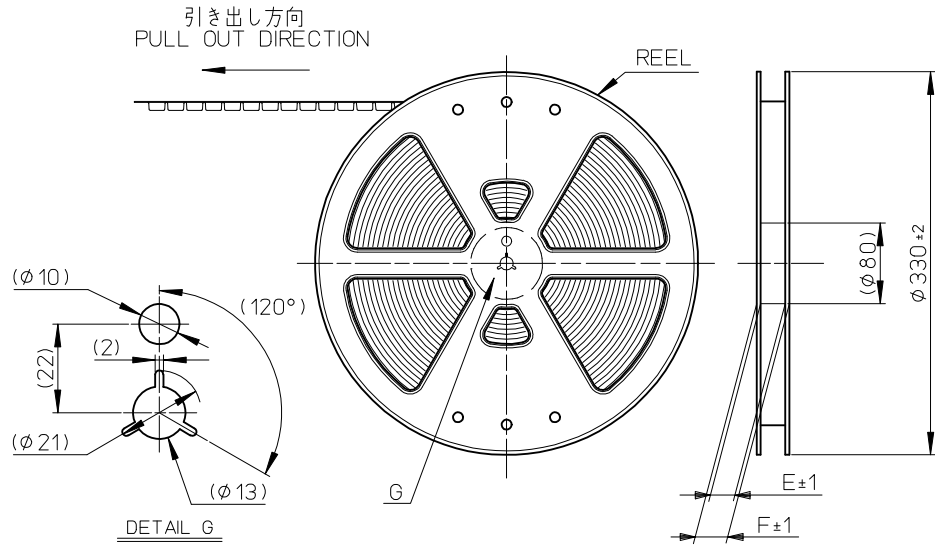


- 3. カバーテープの はく離強度については、IEC60286-3に準拠
COVER TAPE PEEL FORCE IS DEFINED BY IEC 60286-3.

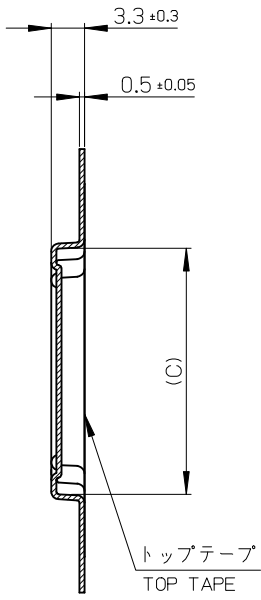
- 4. 材料 キャリアテープ : ポリプロピレン(PP)
トップテープ : PET,PE,PEF
リール : ポリスチレン(PS) <リサイクル材を含む>

MATERIAL CARRIER TAPE : POLYPROPYLENE
TOP TAPE : PET,PE,PEF
REEL : POLYSTYRENE<RECYCLE MATERIAL CONTAINED>

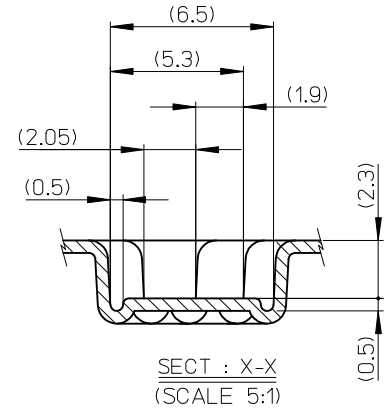
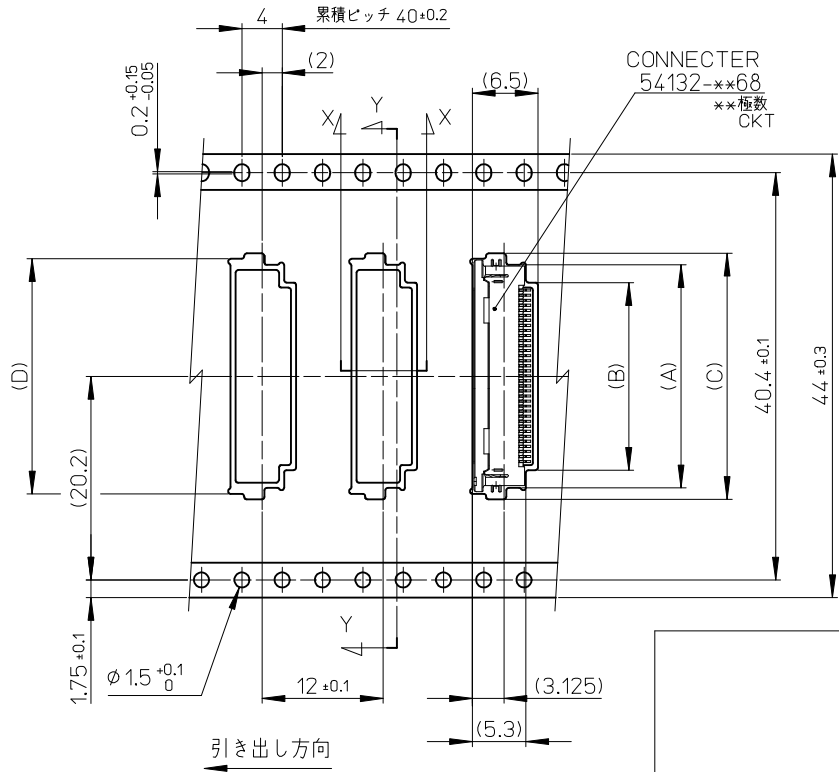
- 5. ELV & RoHS適合品
ELV AND RoHS COMPLIANT



RELEASED EC NO.: J2011-0041 DRWN: HYOSHINO 2010/07/13 CHKD: HIJIMA 2010/07/13 APPR: KMORIKAWA 2010/07/16	GENERAL TOLERANCES (UNLESS SPECIFIED)		DIMENSION STYLE MM ONLY		SCALE ---	DESIGN UNITS METRIC	THIRD ANGLE PROJECTION	
	10 UNDER	± ---	DRAWN BY HYOSHINO	DATE 2010/07/13	TITLE 0.5 FPC CONN. ZIF SMT R/A BOTTOM CONTACT TAPING PACKAGE			
	10 OVER 30 UNDER	± ---	CHECKED BY HIJIMA	DATE 2010/07/13	MOLEX INCORPORATED			
	30 OVER	± ---	APPROVED BY KMORIKAWA	DATE 2010/07/16	DOCUMENT NO. SD-54132-065		SHEET NO. 1 OF 2	
0	DESCRIPTION ANGULAR ± --- ° DRAFT WHERE APPLICABLE MUST REMAIN WITHIN DIMENSIONS	MATERIAL NO. SEE SHEET		THIS DRAWING CONTAINS INFORMATION THAT IS PROPRIETARY TO MOLEX INCORPORATED AND SHOULD NOT BE USED WITHOUT WRITTEN PERMISSION				



SECT : Y-Y



44	49.4	45.4	30.8	31.9	26.1	29.6	54132-5062	50		
			28.3	29.4	23.6	27.1	54132-4562	45		
			27.3	28.4	22.6	26.1	54132-4362	43		
			25.8	26.9	21.1	24.6	54132-4062	40		
			24.8	25.9	20.1	23.6	54132-3862	38		
			23.8	24.9	19.1	22.6	54132-3662	36		
			23.3	24.4	18.6	22.1	54132-3562	35		
			22.8	23.9	18.1	21.6	54132-3462	34		
			22.3	23.4	17.6	21.1	54132-3362	33		
			21.8	22.9	17.1	20.6	54132-3262	32		
20.8	21.9	16.1	19.6	54132-3062	30					
キャリアテープ幅 CARRIAR TAPE WIDTH			F	E	D	C	B	A	MATERIAL NO. (EMBOSS PKG)	CKT.

引き出し方向

RELEASED EC NO: J2011-0041 DRWN:HYOSHINO 2010/07/13 CHKD:H IJIMA 2010/07/13 APPR:KMORIKAWA 2010/07/16	GENERAL TOLERANCES (UNLESS SPECIFIED)		DIMENSION STYLE MM ONLY		SCALE ---	DESIGN UNITS METRIC	THIRD ANGLE PROJECTION	
	10 UNDER	± ---	DRAWN BY HYOSHINO	DATE 2010/07/13	TITLE 0.5 FPC CONN. ZIF SMT R/A BOTTOM CONTACT TAPING PACKAGE			
	10 OVER 30 UNDER	± ---	CHECKED BY HIJIMA	DATE 2010/07/13	MOLEX INCORPORATED			
	30 OVER	± ---	APPROVED BY KMORIKAWA	DATE 2010/07/16	DOCUMENT NO. SD-54132-065		SHEET NO. 2 OF 2	
	ANGULAR ± --- °		MATERIAL NO. SEE SHEET		THIS DRAWING CONTAINS INFORMATION THAT IS PROPRIETARY TO MOLEX INCORPORATED AND SHOULD NOT BE USED WITHOUT WRITTEN PERMISSION			
DRAFT WHERE APPLICABLE MUST REMAIN WITHIN DIMENSIONS								