

## Top & Bottom Marking Strips

Double Row Terminal Blocks (TB100, TB200, TB300, TB345 SERIES)

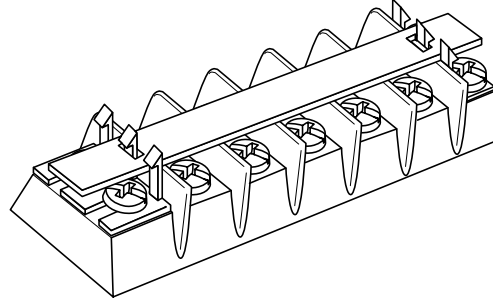
### TOP MARKER STRIPS

Top mounting marker strips are available in white (opaque) plastic. Two cover clips are supplied with each marker strip.

All top marker strips must be ordered separately. Consult factory for special legends.

Example: 12 position cover, TB200, .032" x .312", with no legends . . . Part No. is X20312.

Example: 12 position cover, TB200HB, .060" x .500", with no legends . . . Part No. is X23312HB.



## Part Numbering System

Series



Top Marker Strip



**133** - TB100 (.060 thk x .500w)  
**103** - TB100 (.032 thk x .312w)  
**233** - TB200 (.060 thk x .500w)  
**233TB** - TB200HB (.060 thk x .500w)  
**203** - TB200 (.032 thk x .312w)  
**203HB** - TB200HB (.032 thk x .312w)  
**333** - TB300 & TB345 (.060 thk x .500w)  
**303** - TB300 & TB345 (.032 thk x .380w)

Poles



**02 to 36** (TB100)  
**02 to 30** (TB200/TB200HB)  
**02 to 24** (TB300/TB345)

Note: Marking Strips are not available on TB400 Series.

### BOTTOM MARKER STRIPS;

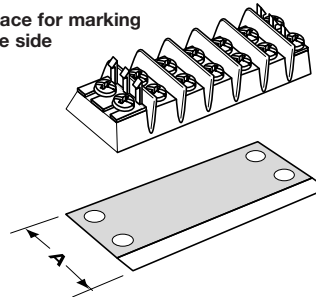
Bottom mounting marker strips are made of black PVC, .030" thick. Space is available to handle most marking situations. All marker strips must be ordered separately.

To order, specify part number, required legends and (BF) bottom forward, (BR) bottom reverse, (TF) top forward, or (TR) top reverse. Consult factory for specials.

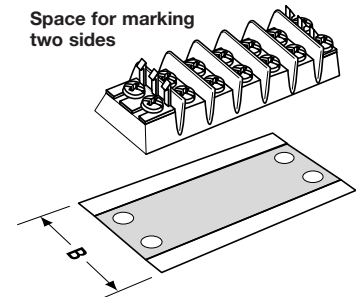
Example: 13 position strip, TB100 with no legends, space for marking one side . . . Part No. is X10513.

Position for legends (one side, two sides) can be specified standard. Standard legend height is .125". Standard legends are 0-99 and A-Z. Special legends are available on special order. Drawing(s) must be submitted to ensure accuracy of part required.

Space for marking one side



Space for marking two sides



	TB100	TB200	TB200HB	TB300	TB345	TB400
Dim. A	1.13"	1.37"	1.62"	1.58"	1.58"	N/A
Dim. B	1.38"	1.62"	1.81"	1.81"	1.81"	N/A

## Part Numbering System

Series



Bottom Marker Strip



**105** - TB100 - marking one side  
**101** - TB100 - marking both sides  
**205** - TB200 - marking one side  
**201** - TB200 - marking both sides  
**295** - TB200HB - marking one side  
**291** - TB200HB - marking both sides  
**305** - TB300 & TB345 - marking one side  
**301** - TB300 & TB345 - marking both sides

Poles



**02 to 36** (TB100)  
**02 to 30** (TB200/TB200HB)  
**02 to 24** (TB300/TB345)

Orientation



**BF** - bottom forward  
**BR** - bottom reverse  
**TF** - top forward  
**TR** - top reverse

Note: Marking Strips are not available on TB400 Series.

# Mouser Electronics

Authorized Distributor

Click to View Pricing, Inventory, Delivery & Lifecycle Information:

[Eaton:](#)

[X10506BF](#) [X20512BF](#) [X20506BF](#) [X20504BF](#)