



Micropower, Low Noise Precision Voltage References with Shutdown

ADR391/ADR392/ADR395

FEATURES

- Compact 5-lead TSOT package
- Low temperature coefficient
 - B grade: 9 ppm/°C
 - A grade: 25 ppm/°C
- Initial accuracy
 - B grade: ±4 mV maximum (ADR391)
 - A grade: ±6 mV maximum
- Ultralow output noise: 5 μ V p-p (0.1 Hz to 10 Hz)
- Low dropout: 300 mV
- Low supply current
 - 3 μ A maximum in shutdown
 - 140 μ A maximum in operation
- No external capacitor required
- Output current: 5 mA
- Automotive grade available
- Wide temperature range: -40°C to +125°C

APPLICATIONS

- Battery-powered instrumentation
- Portable medical instrumentation
- Data acquisition systems
- Industrial process controls
- Automotive

GENERAL DESCRIPTION

The ADR391/ADR392/ADR395 are precision 2.048 V, 2.5 V, 4.096 V, and 5 V band gap voltage references, respectively, featuring low power and high precision in a tiny footprint. Using patented temperature drift curvature correction techniques from Analog Devices, Inc., the ADR39x references achieve a low 9 ppm/°C of temperature drift in the TSOT package.

PIN CONFIGURATION

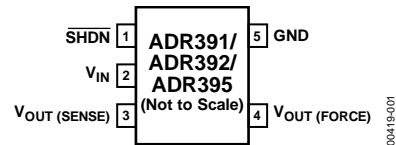


Figure 1. 5-Lead TSOT (UJ Suffix)

Table 1.

Model	Output Voltage (Vo)	Temperature Coefficient (ppm/°C)	Accuracy (mV)
ADR391B	2.5	9	±4
ADR391A	2.5	25	±6
ADR392B	4.096	9	±5
ADR392A	4.096	25	±6
ADR395B	5.0	9	±5
ADR395A	5.0	25	±6

The ADR39x family of micropower, low dropout voltage references provides a stable output voltage from a minimum supply of 300 mV above the output. Their advanced design eliminates the need for external capacitors, which further reduces board space and system cost. The combination of low power operation, small size, and ease of use makes the ADR39x precision voltage references ideally suited for battery-operated applications.

Rev. H

Information furnished by Analog Devices is believed to be accurate and reliable. However, no responsibility is assumed by Analog Devices for its use, nor for any infringements of patents or other rights of third parties that may result from its use. Specifications subject to change without notice. No license is granted by implication or otherwise under any patent or patent rights of Analog Devices. Trademarks and registered trademarks are the property of their respective owners.

One Technology Way, P.O. Box 9106, Norwood, MA 02062-9106, U.S.A.
Tel: 781.329.4700 www.analog.com
Fax: 781.461.3113 ©2002–2009 Analog Devices, Inc. All rights reserved.

TABLE OF CONTENTS

Features	1	ESD Caution.....	6
Applications.....	1	Typical Performance Characteristics	7
Pin Configuration.....	1	Terminology	13
General Description	1	Theory of Operation	14
Revision History	2	Device Power Dissipation Considerations.....	14
Specifications.....	3	Shutdown Mode Operation	14
ADR391 Electrical Characteristics.....	3	Applications Information	15
ADR392 Electrical Characteristics.....	4	Basic Voltage Reference Connection	15
ADR395 Electrical Characteristics.....	5	Capacitors.....	17
Absolute Maximum Ratings.....	6	Outline Dimensions	18
Thermal Resistance	6	Ordering Guide	18
REVISION HISTORY		Changes to ADR392—Specifications	5
10/09—Rev. G to Rev. H		Changes to ADR395—Specifications	6
Deleted ADR390.....	Universal	Changes to Absolute Maximum Ratings.....	7
Changes to Ordering Guide Section	18	Changes to Thermal Resistance.....	7
2/08—Rev. F to Rev. G		Moved ESD Caution.....	7
Changes to Ripple Rejection Ration Parameter (Table 2).....	3	Changes to Figure 3, Figure 4, Figure 7, and Figure 8.....	9
Changes to Ripple Rejection Ration Parameter (Table 3).....	4	Changes to Figure 11, Figure 12, Figure 13, and Figure 14.....	10
Changes to Ripple Rejection Ration Parameter (Table 4).....	5	Changes to Figure 15, Figure 16, Figure 19, and Figure 20.....	11
Changes to Ripple Rejection Ration Parameter (Table 5).....	6	Changes to Figure 23 and Figure 24.....	12
Changes to Figure 7.....	9	Changes to Figure 27.....	13
Changes to Outline Dimensions.....	19	Changes to Ordering Guide	19
Changes to Ordering Guide	19	Updated Outline Dimensions	19
5/05—Rev. E to Rev. F		10/02—Rev. B to Rev. C	
Changes to Table 5.....	7	Add parts ADR392 and ADR395	Universal
Changes to Figure 2.....	9	Changes to Features	1
4/04—Rev. D to Rev. E		Changes to General Description	1
Changes to ADR390—Specifications.....	3	Additions to Table I.....	1
Changes to ADR391—Specifications.....	4	Changes to Specifications.....	2
Changes to ADR392—Specifications.....	5	Changes to Ordering Guide	4
Changes to ADR395—Specifications.....	6	Changes to Absolute Maximum Ratings.....	4
4/04—Rev. C to Rev. D		New TPCs 3, 4, 7, 8, 11, 12, 15, 16, 19, and 20	6
Updated Format.....	Universal	New Figures 4 and 5.....	13
Changes to Title	1	Deleted A Negative Precision Reference without Precision Resistors Section	13
Changes to Features.....	1	Edits to General-Purpose Current Source Section	13
Changes to Applications	1	Updated Outline Dimensions	15
Changes to General Description	1	5/02—Rev. A to Rev. B	
Changes to Table 1.....	1	Edits to Layout	Universal
Changes to ADR390—Specifications.....	3	Changes to Figure 6.....	13
Changes to ADR391—Specifications.....	4		

SPECIFICATIONS

ADR391 ELECTRICAL CHARACTERISTICS

$V_{IN} = 2.8\text{ V to }15\text{ V}$, $T_A = 25^\circ\text{C}$, unless otherwise noted.

Table 2.

Parameter	Symbol	Conditions	Min	Typ	Max	Unit		
OUTPUT VOLTAGE	V_O	A grade	2.494	2.5	2.506	V		
		B grade	2.496	2.5	2.504	V		
INITIAL ACCURACY	V_{OERR}	A grade			6	mV		
		A grade			0.24	%		
		B grade			4	mV		
		B grade			0.16	%		
TEMPERATURE COEFFICIENT	TCV_O	A grade, $-40^\circ\text{C} < T_A < +125^\circ\text{C}$			25	ppm/ $^\circ\text{C}$		
		B grade, $-40^\circ\text{C} < T_A < +125^\circ\text{C}$			9	ppm/ $^\circ\text{C}$		
SUPPLY VOLTAGE HEADROOM	$V_{IN} - V_O$		300			mV		
LINE REGULATION	$\Delta V_O / \Delta V_{IN}$	$V_{IN} = 2.8\text{ V to }15\text{ V}$, $-40^\circ\text{C} < T_A < +125^\circ\text{C}$		10	25	ppm/V		
LOAD REGULATION	$\Delta V_O / \Delta I_{LOAD}$	$I_{LOAD} = 0\text{ mA to }5\text{ mA}$, $-40^\circ\text{C} < T_A < +85^\circ\text{C}$, $V_{IN} = 3\text{ V}$			60	ppm/mA		
		$I_{LOAD} = 0\text{ mA to }5\text{ mA}$, $-40^\circ\text{C} < T_A < +125^\circ\text{C}$, $V_{IN} = 3\text{ V}$			140	ppm/mA		
QUIESCENT CURRENT	I_{IN}	No load $-40^\circ\text{C} < T_A < +125^\circ\text{C}$			120	μA		
					140	μA		
VOLTAGE NOISE	$e_{n\text{ p-p}}$	0.1 Hz to 10 Hz		5		$\mu\text{V p-p}$		
TURN-ON SETTLING TIME	t_R			20		μs		
LONG-TERM STABILITY ¹	ΔV_O	1000 hours		50		ppm		
OUTPUT VOLTAGE HYSTERESIS	ΔV_{O_HYS}			100		ppm		
RIPPLE REJECTION RATIO	RRR	$f_{IN} = 60\text{ Hz}$		-80		dB		
SHORT CIRCUIT TO GND	I_{SC}	$V_{IN} = 5\text{ V}$		25		mA		
		$V_{IN} = 15\text{ V}$		30		mA		
SHUTDOWN PIN			2.4			Shutdown Supply Current	3	μA
						Shutdown Logic Input Current	500	nA
						Shutdown Logic Low	0.8	V
						Shutdown Logic High		V

¹ The long-term stability specification is noncumulative. The drift of subsequent 1000 hour periods is significantly lower than in the first 1000 hour period.

ADR391/ADR392/ADR395

ADR392 ELECTRICAL CHARACTERISTICS

$V_{IN} = 4.3 \text{ V}$ to 15 V , $T_A = 25^\circ\text{C}$, unless otherwise noted.

Table 3.

Parameter	Symbol	Conditions	Min	Typ	Max	Unit
OUTPUT VOLTAGE	V_O	A grade	4.090	4.096	4.102	V
		B grade	4.091	4.096	4.101	V
INITIAL ACCURACY	V_{OERR}	A grade			6	mV
		A grade			0.15	%
		B grade			5	mV
		B grade			0.12	%
TEMPERATURE COEFFICIENT	TCV_O	A grade, $-40^\circ\text{C} < T_A < +125^\circ\text{C}$			25	ppm/ $^\circ\text{C}$
		B grade, $-40^\circ\text{C} < T_A < +125^\circ\text{C}$			9	ppm/ $^\circ\text{C}$
SUPPLY VOLTAGE HEADROOM	$V_{IN} - V_O$		300			mV
LINE REGULATION	$\Delta V_O / \Delta V_{IN}$	$V_{IN} = 4.3 \text{ V}$ to 15 V , $-40^\circ\text{C} < T_A < +125^\circ\text{C}$		10	25	ppm/V
LOAD REGULATION	$\Delta V_O / \Delta I_{LOAD}$	$I_{LOAD} = 0 \text{ mA}$ to 5 mA , $-40^\circ\text{C} < T_A < +125^\circ\text{C}$, $V_{IN} = 5 \text{ V}$			140	ppm/mA
QUIESCENT CURRENT	I_{IN}	No load			120	μA
		$-40^\circ\text{C} < T_A < +125^\circ\text{C}$			140	μA
VOLTAGE NOISE	$e_{n \text{ p-p}}$	0.1 Hz to 10 Hz		7		$\mu\text{V p-p}$
TURN-ON SETTLING TIME	t_R			20		μs
LONG-TERM STABILITY ¹	ΔV_O	1000 hours		50		ppm
OUTPUT VOLTAGE HYSTERESIS	ΔV_{O_HYS}			100		ppm
RIPPLE REJECTION RATIO	RRR	$f_{IN} = 60 \text{ Hz}$		-80		dB
SHORT CIRCUIT TO GND	I_{SC}	$V_{IN} = 5 \text{ V}$		25		mA
		$V_{IN} = 15 \text{ V}$		30		mA
SHUTDOWN PIN						
Shutdown Supply Current	I_{SHDN}				3	μA
Shutdown Logic Input Current	I_{LOGIC}				500	nA
Shutdown Logic Low	V_{INL}				0.8	V
Shutdown Logic High	V_{INH}		2.4			V

¹ The long-term stability specification is noncumulative. The drift of subsequent 1000 hour periods is significantly lower than in the first 1000 hour period.

ADR395 ELECTRICAL CHARACTERISTICS

$V_{IN} = 5.3\text{ V to }15\text{ V}$, $T_A = 25^\circ\text{C}$, unless otherwise noted.

Table 4.

Parameter	Symbol	Conditions	Min	Typ	Max	Unit
OUTPUT VOLTAGE	V_O	A grade	4.994	5.000	5.006	V
		B grade	4.995	5.000	5.005	V
INITIAL ACCURACY	V_{OERR}	A grade			6	mV
		A grade			0.12	%
		B grade			5	mV
		B grade			0.10	%
TEMPERATURE COEFFICIENT	TCV_O	A grade, $-40^\circ\text{C} < T_A < +125^\circ\text{C}$			25	ppm/ $^\circ\text{C}$
		B grade, $-40^\circ\text{C} < T_A < +125^\circ\text{C}$			9	ppm/ $^\circ\text{C}$
SUPPLY VOLTAGE HEADROOM	$V_{IN} - V_O$		300			mV
LINE REGULATION	$\Delta V_O / \Delta V_{IN}$	$V_{IN} = 4.3\text{ V to }15\text{ V}$, $-40^\circ\text{C} < T_A < +125^\circ\text{C}$		10	25	ppm/V
LOAD REGULATION	$\Delta V_O / \Delta I_{LOAD}$	$I_{LOAD} = 0\text{ mA to }5\text{ mA}$, $-40^\circ\text{C} < T_A < +125^\circ\text{C}$, $V_{IN} = 6\text{ V}$			140	ppm/mA
QUIESCENT CURRENT	I_{IN}	No load			120	μA
		$-40^\circ\text{C} < T_A < +125^\circ\text{C}$			140	μA
VOLTAGE NOISE	$e_{n\text{ p-p}}$	0.1 Hz to 10 Hz		8		$\mu\text{V p-p}$
TURN-ON SETTLING TIME	t_R			20		μs
LONG-TERM STABILITY ¹	ΔV_O	1000 hours		50		ppm
OUTPUT VOLTAGE HYSTERESIS	ΔV_{O_HYS}			100		ppm
RIPPLE REJECTION RATIO	RRR	$f_{IN} = 60\text{ Hz}$		-80		dB
SHORT CIRCUIT TO GND	I_{SC}	$V_{IN} = 5\text{ V}$		25		mA
		$V_{IN} = 15\text{ V}$		30		mA
SHUTDOWN PIN						
Shutdown Supply Current	I_{SHDN}				3	μA
Shutdown Logic Input Current	I_{LOGIC}				500	nA
Shutdown Logic Low	V_{INL}				0.8	V
Shutdown Logic High	V_{INH}		2.4			V

¹ The long-term stability specification is noncumulative. The drift of subsequent 1000 hour periods is significantly lower than in the first 1000 hour period.

ADR391/ADR392/ADR395

ABSOLUTE MAXIMUM RATINGS

At 25°C, unless otherwise noted.

Table 5.

Parameter	Rating
Supply Voltage	18 V
Output Short-Circuit Duration to GND	See derating curves
Storage Temperature Range	−65°C to +125°C
Operating Temperature Range	−40°C to +125°C
Junction Temperature Range	−65°C to +125°C
Lead Temperature (Soldering, 60 sec)	300°C

Stresses above those listed under Absolute Maximum Ratings may cause permanent damage to the device. This is a stress rating only; functional operation of the device at these or any other conditions above those indicated in the operational section of this specification is not implied. Exposure to absolute maximum rating conditions for extended periods may affect device reliability.

THERMAL RESISTANCE

θ_{JA} is specified for the worst-case conditions, that is, for a device soldered in a circuit board for surface-mount packages.

Table 6.

Package Type	θ_{JA}	θ_{JC}	Unit
TSOT (UJ-5)	230	146	°C/W

ESD CAUTION



ESD (electrostatic discharge) sensitive device. Charged devices and circuit boards can discharge without detection. Although this product features patented or proprietary protection circuitry, damage may occur on devices subjected to high energy ESD. Therefore, proper ESD precautions should be taken to avoid performance degradation or loss of functionality.

TYPICAL PERFORMANCE CHARACTERISTICS

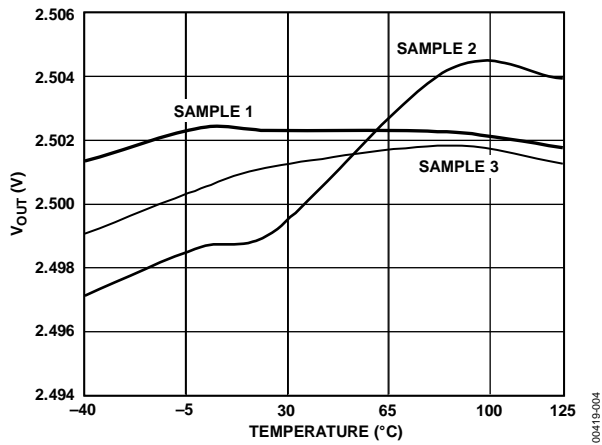


Figure 2. ADR391 Output Voltage (V_{OUT}) vs. Temperature

00419-004

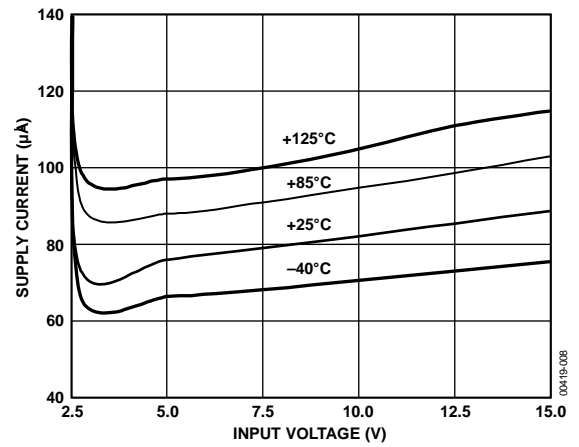


Figure 5. ADR391 Supply Current vs. Input Voltage

00419-008

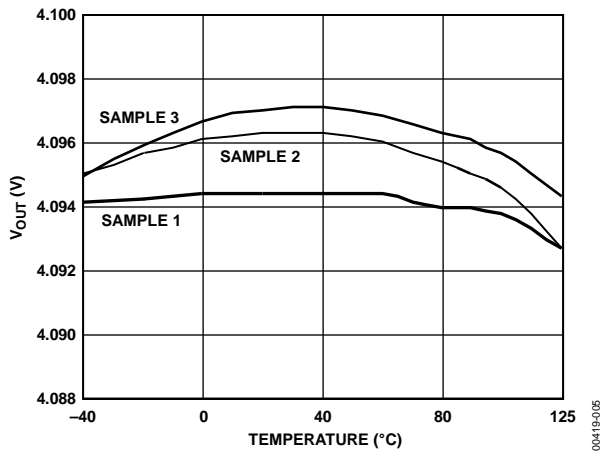


Figure 3. ADR392 Output Voltage (V_{OUT}) vs. Temperature

00419-005

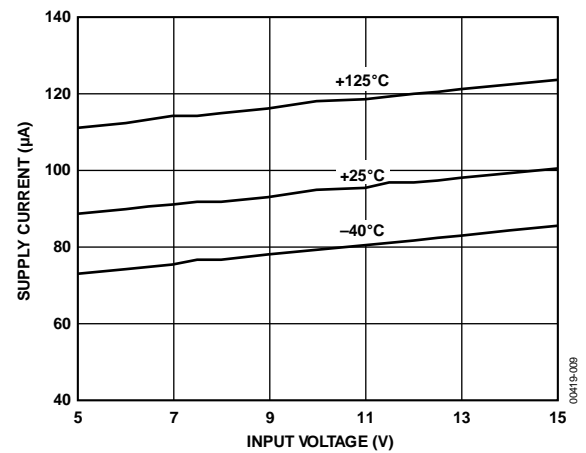


Figure 6. ADR392 Supply Current vs. Input Voltage

00419-009

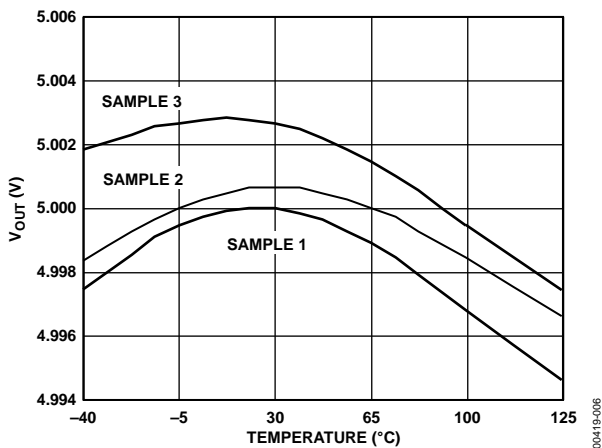


Figure 4. ADR395 Output Voltage (V_{OUT}) vs. Temperature

00419-006

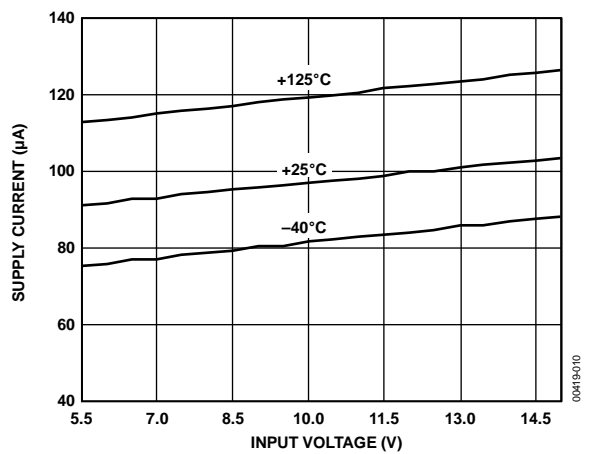


Figure 7. ADR395 Supply Current vs. Input Voltage

00419-010

ADR391/ADR392/ADR395

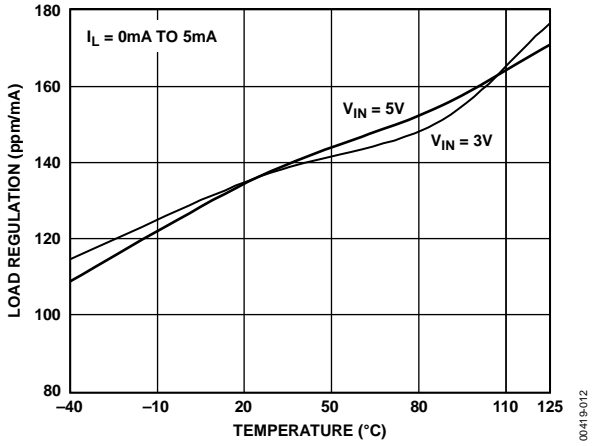


Figure 8. ADR391 Load Regulation vs. Temperature

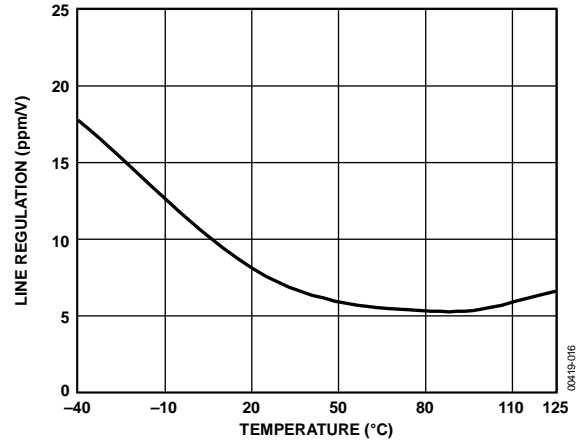


Figure 11. ADR391 Line Regulation vs. Temperature

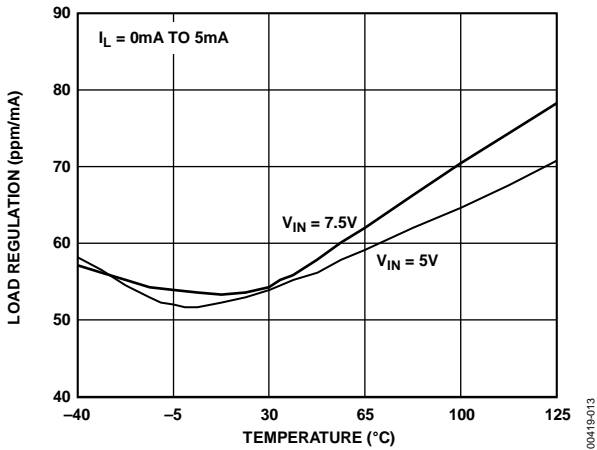


Figure 9. ADR392 Load Regulation vs. Temperature

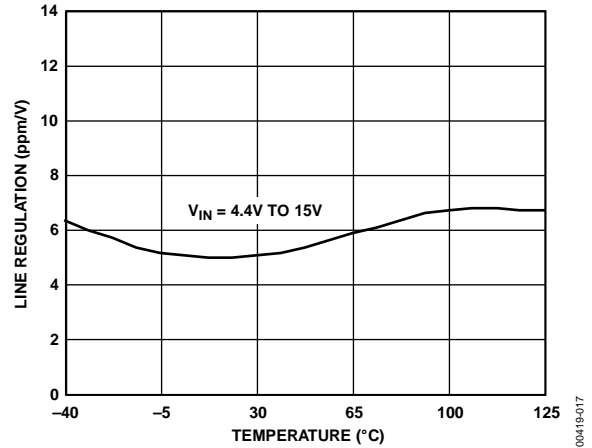


Figure 12. ADR392 Line Regulation vs. Temperature

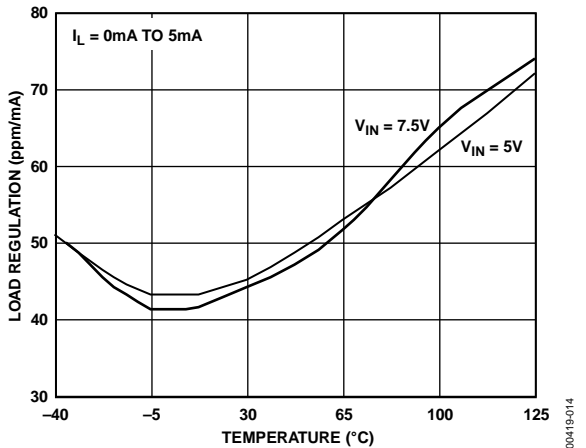


Figure 10. ADR395 Load Regulation vs. Temperature

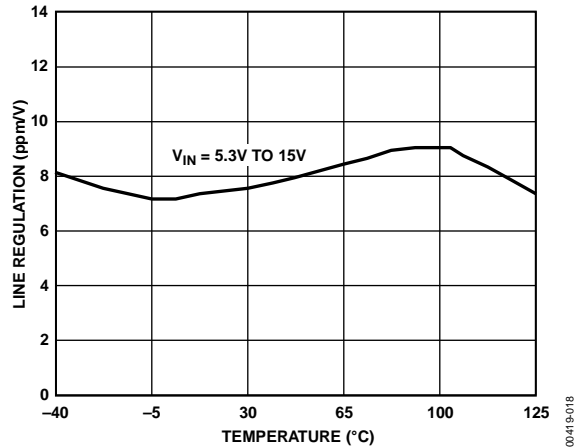


Figure 13. ADR395 Line Regulation vs. Temperature

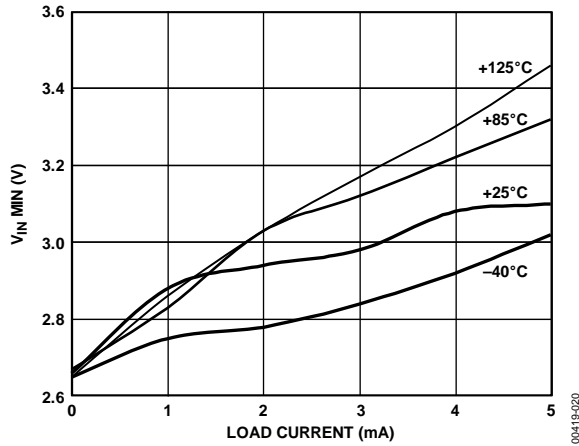


Figure 14. ADR391 Minimum Input Voltage (V_{IN}) vs. Load Current

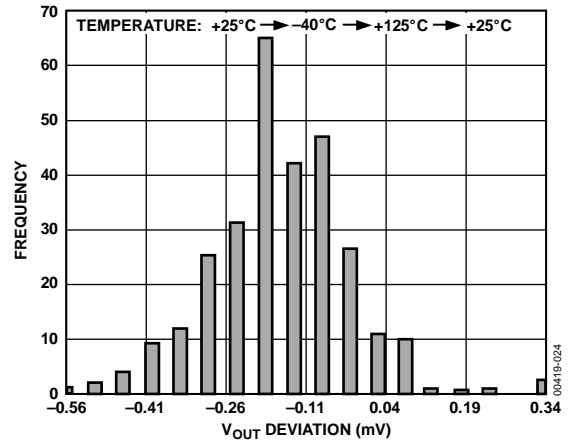


Figure 17. ADR391 V_{OUT} Hysteresis Distribution

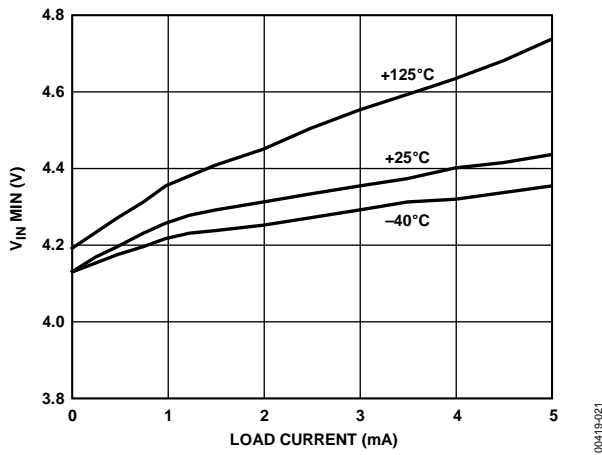


Figure 15. ADR392 Minimum Input Voltage (V_{IN}) vs. Load Current

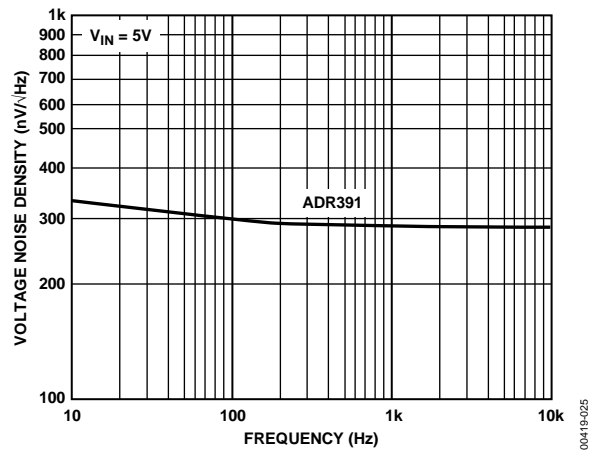


Figure 18. Voltage Noise Density vs. Frequency

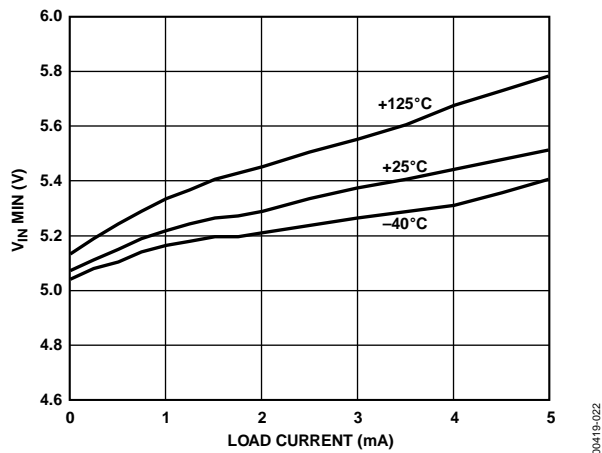


Figure 16. ADR395 Minimum Input Voltage (V_{IN}) vs. Load Current

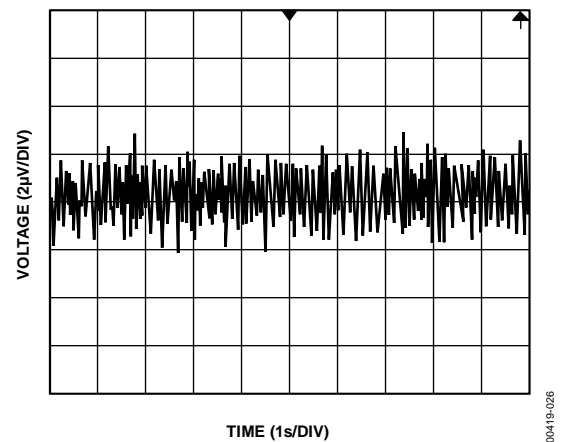


Figure 19. ADR391 Typical Voltage Noise 0.1 Hz to 10 Hz

ADR391/ADR392/ADR395

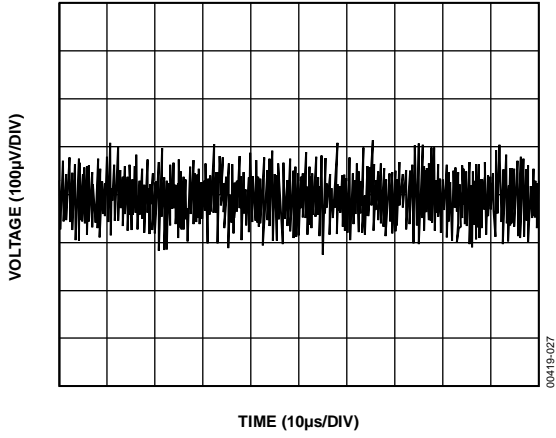


Figure 20. ADR391 Voltage Noise 10 Hz to 10 kHz

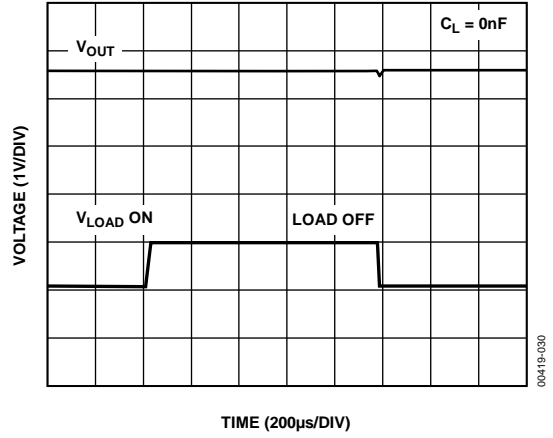


Figure 23. ADR391 Load Transient Response

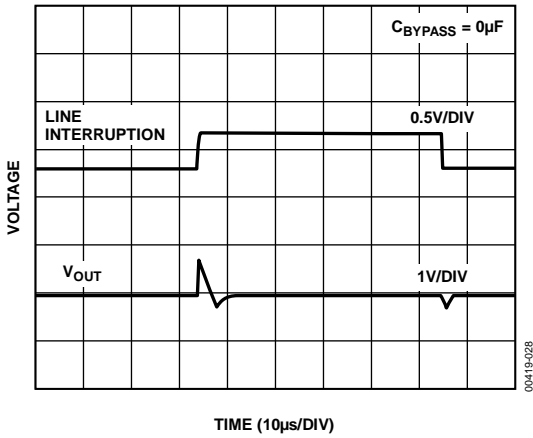


Figure 21. ADR391 Line Transient Response

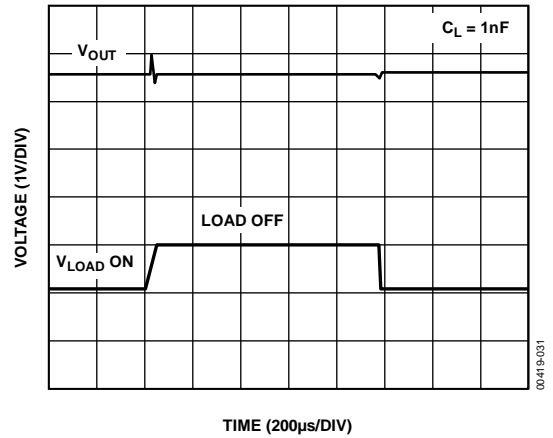


Figure 24. ADR391 Load Transient Response

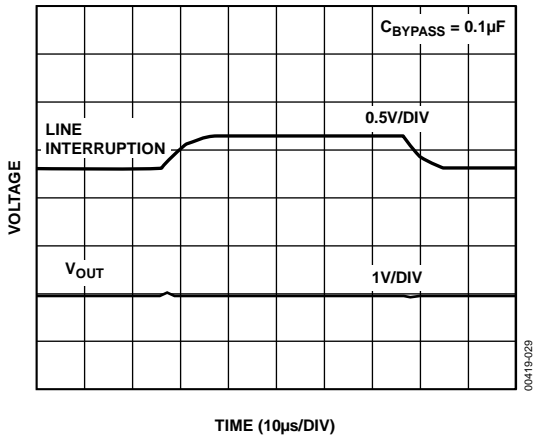


Figure 22. ADR391 Line Transient Response

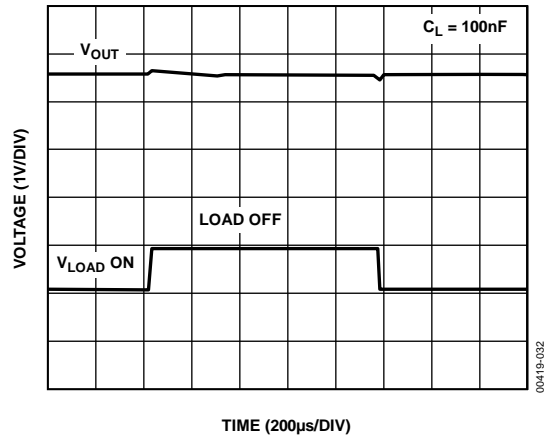


Figure 25. ADR391 Load Transient Response

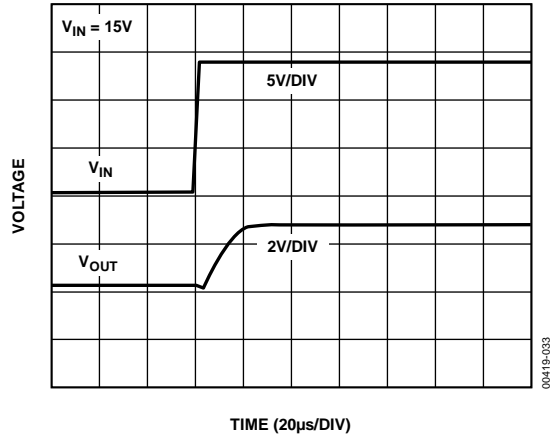


Figure 26. ADR391 Turn-On Response Time at 15 V

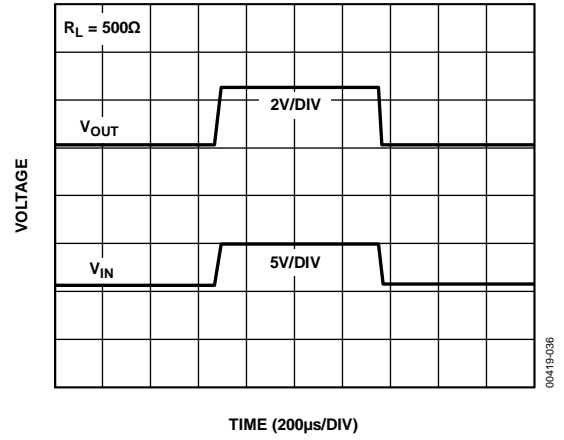


Figure 29. ADR391 Turn-On/Turn-Off Response at 5 V with Resistor Load

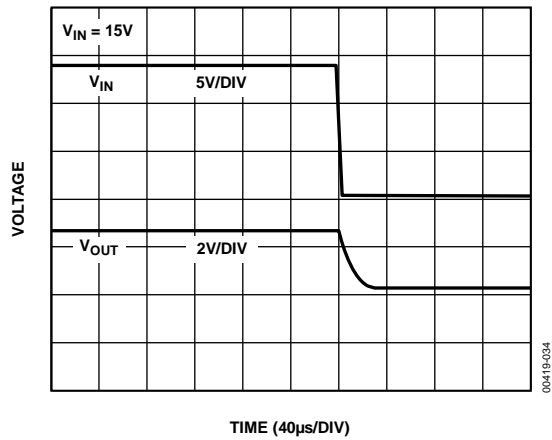


Figure 27. ADR391 Turn-Off Response at 15 V

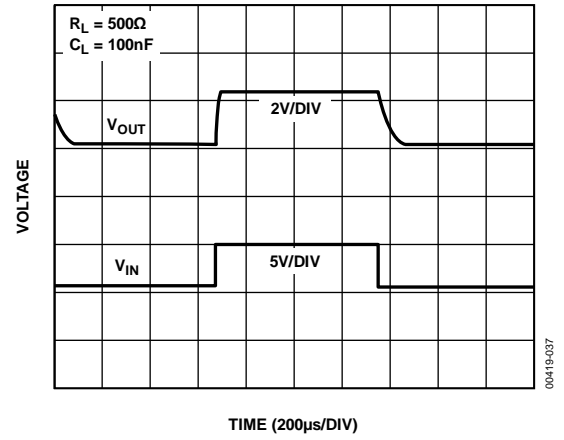


Figure 30. ADR391 Turn-On/Turn-Off Response at 5 V

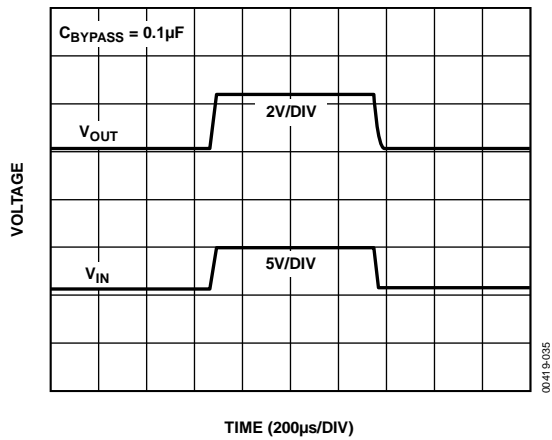


Figure 28. ADR391 Turn-On/Turn-Off Response at 5 V with Capacitance

ADR391/ADR392/ADR395

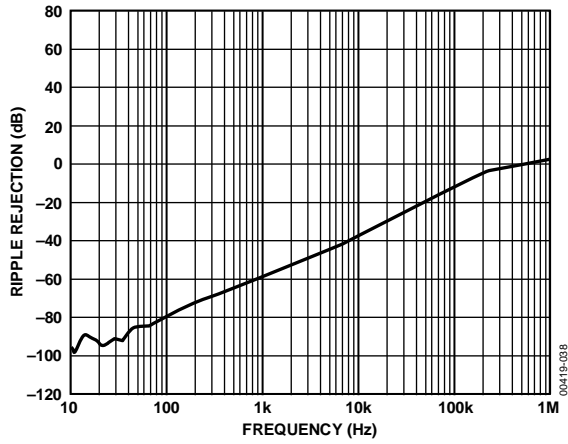


Figure 31. Ripple Rejection vs. Frequency

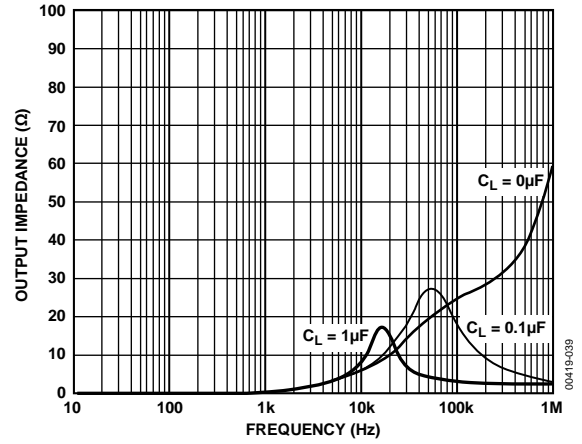


Figure 32. Output Impedance vs. Frequency

TERMINOLOGY

Temperature Coefficient

The change of output voltage with respect to operating temperature changes normalized by the output voltage at 25°C. This parameter is expressed in ppm/°C and can be determined by

$$TCV_o[\text{ppm}/^\circ\text{C}] = \frac{V_o(T_2) - V_o(T_1)}{V_o(25^\circ\text{C}) \times (T_2 - T_1)} \times 10^6 \quad (1)$$

where:

$V_o(25^\circ\text{C})$ is V_o at 25°C.

$V_o(T_1)$ is V_o at Temperature 1.

$V_o(T_2)$ is V_o at Temperature 2.

Line Regulation

The change in output voltage due to a specified change in input voltage. This parameter accounts for the effects of self-heating. Line regulation is expressed in either percent per volt, parts-per-million per volt, or microvolts per volt change in input voltage.

Load Regulation

The change in output voltage due to a specified change in load current. This parameter accounts for the effects of self-heating. Load regulation is expressed in either microvolts per milliampere, parts-per-million per milliampere, or ohms of dc output resistance.

Long-Term Stability

Typical shift of output voltage at 25°C on a sample of parts subjected to a test of 1000 hours at 25°C.

$$\Delta V_o = V_o(t_0) - V_o(t_1)$$

$$\Delta V_o[\text{ppm}] = \left(\frac{V_o(t_0) - V_o(t_1)}{V_o(t_0)} \times 10^6 \right) \quad (2)$$

where:

$V_o(t_0)$ is V_o at 25°C at Time 0.

$V_o(t_1)$ is V_o at 25°C after 1000 hours operation at 25°C.

Thermally Induced Output Voltage Hysteresis

The change of output voltage after the device cycles through the temperatures from +25°C to -40°C to +125°C and back to +25°C. This is a typical value from a sample of parts put through such a cycle.

$$V_{o_HYS} = V_o(25^\circ\text{C}) - V_{o_TC} \quad (3)$$

$$V_{o_HYS}[\text{ppm}] = \frac{V_o(25^\circ\text{C}) - V_{o_TC}}{V_o(25^\circ\text{C})} \times 10^6 \quad (4)$$

where:

$V_o(25^\circ\text{C})$ is V_o at 25°C.

V_{o_TC} is V_o at 25°C after a temperature cycle from +25°C to -40°C to +125°C and back to +25°C.

APPLICATIONS INFORMATION

BASIC VOLTAGE REFERENCE CONNECTION

The circuit shown in Figure 34 illustrates the basic configuration for the ADR39x family. Decoupling capacitors are not required for circuit stability. The ADR39x family is capable of driving capacitive loads from 0 μ F to 10 μ F. However, a 0.1 μ F ceramic output capacitor is recommended to absorb and deliver the charge, as required by a dynamic load.

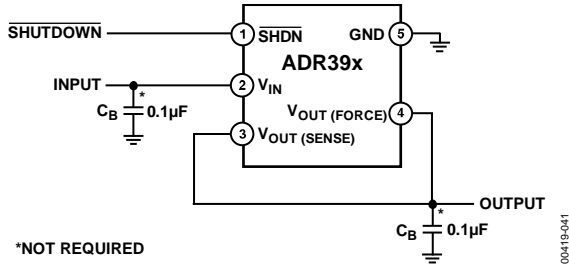


Figure 34. Basic Configuration for the ADR39x Family

Stacking Reference ICs for Arbitrary Outputs

Some applications may require two reference voltage sources, which are a combined sum of standard outputs. Figure 35 shows how this stacked output reference can be implemented.

U1/U2	V _{OUT1} (V)	V _{OUT2} (V)
ADR391/ADR391	2.5	5.0
ADR392/ADR392	4.096	8.192
ADR395/ADR395	5	10

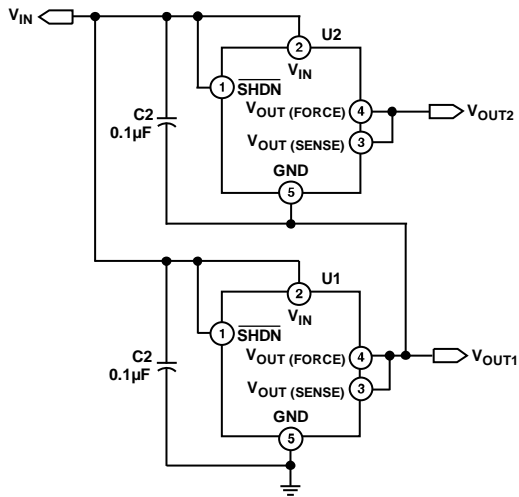


Figure 35. Stacking Voltage References with the ADR391/ADR392/ADR395

Two reference ICs are used, fed from an unregulated input, V_{IN} . The outputs of the individual ICs are connected in series, which provide two output voltages, V_{OUT1} and V_{OUT2} . V_{OUT1} is the terminal voltage of U1, while V_{OUT2} is the sum of this voltage and the terminal voltage of U2. U1 and U2 are chosen for the two voltages that supply the required outputs (see the Output Table in Figure 35). For example, if both U1 and U2 are ADR391s, V_{OUT1} is 2.5 V and V_{OUT2} is 5.0 V.

While this concept is simple, a precaution is required. Because the lower reference circuit must sink a small bias current from U2 plus the base current from the series PNP output transistor in U2, either the external load of U1 or an external resistor must provide a path for this current. If the U1 minimum load is not well defined, the external resistor should be used and set to a value that conservatively passes 600 μ A of current with the applicable V_{OUT1} across it. Note that the two U1 and U2 reference circuits are treated locally as macrocells; each has its own bypasses at input and output for best stability. Both U1 and U2 in this circuit can source dc currents up to their full rating. The minimum input voltage, V_{IN} , is determined by the sum of the outputs, V_{OUT2} , plus the dropout voltage of U2.

A Negative Precision Reference without Precision Resistors

A negative reference can be easily generated by adding an A1 op amp and is configured as shown in Figure 36. $V_{OUT (FORCE)}$ and $V_{OUT (SENSE)}$ are at virtual ground and, therefore, the negative reference can be taken directly from the output of the op amp. The op amp must be dual-supply, low offset, and rail-to-rail if the negative supply voltage is close to the reference output.

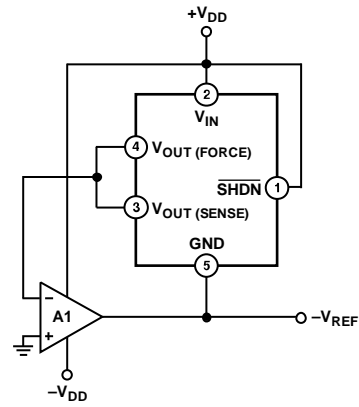


Figure 36. Negative Reference

ADR391/ADR392/ADR395

General-Purpose Current Source

Many times in low power applications, the need arises for a precision current source that can operate on low supply voltages. The ADR391/ADR392/ADR395 can be configured as a precision current source. As shown in Figure 37, the circuit configuration is a floating current source with a grounded load. The reference output voltage is bootstrapped across R_{SET} , which sets the output current into the load. With this configuration, circuit precision is maintained for load currents in the range from the reference supply current, typically 90 μA to approximately 5 mA.

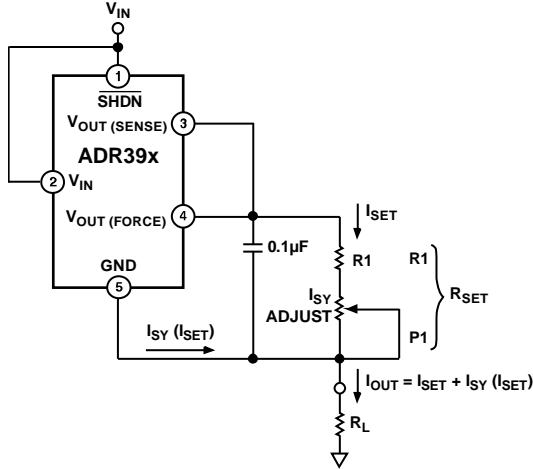


Figure 37. A General-Purpose Current Source

00419-044

High Power Performance with Current Limit

In some cases, the user may want higher output current delivered to a load and still achieve better than 0.5% accuracy out of the ADR39x. The accuracy for a reference is normally specified on the data sheet with no load. However, the output voltage changes with load current.

The circuit shown in Figure 38 provides high current without compromising the accuracy of the ADR39x. The series pass transistor, Q1, provides up to 1 A load current. The ADR39x delivers only the base drive to Q1 through the force pin. The sense pin of the ADR39x is a regulated output and is connected to the load.

The Transistor Q2 protects Q1 during short-circuit limit faults by robbing its base drive. The maximum current is

$$I_{LMAX} \approx 0.6 \text{ V}/R_s \quad (6)$$

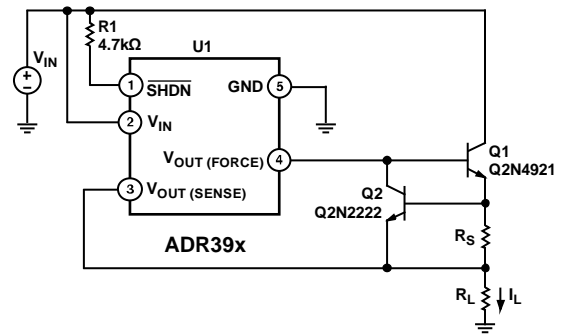


Figure 38. ADR39x for High Power Performance with Current Limit

00419-045

A similar circuit function can also be achieved with the Darlington transistor configuration, as shown in Figure 39.

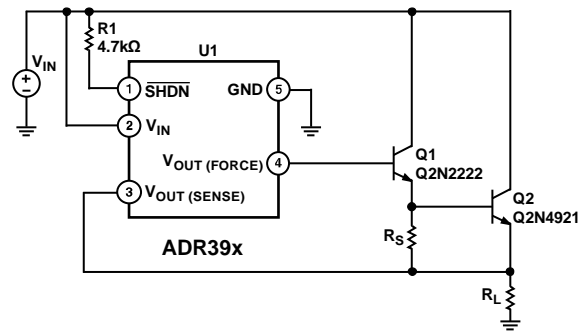


Figure 39. ADR39x for High Output Current with Darlington Drive Configuration

00419-D-046

CAPACITORS

Input Capacitor

Input capacitors are not required on the ADR39x. There is no limit for the value of the capacitor used on the input, but a 1 μF to 10 μF capacitor on the input improves transient response in applications where the supply suddenly changes. An additional 0.1 μF in parallel also helps reduce noise from the supply.

Output Capacitor

The ADR39x does not require output capacitors for stability under any load condition. An output capacitor, typically 0.1 μF , filters out any low level noise voltage and does not affect the operation of the part. On the other hand, the load transient response can improve with the addition of a 1 μF to 10 μF output capacitor in parallel. A capacitor here acts as a source of stored energy for a sudden increase in load current. The only parameter that degrades by adding an output capacitor is the turn-on time, and it depends on the size of the capacitor chosen.

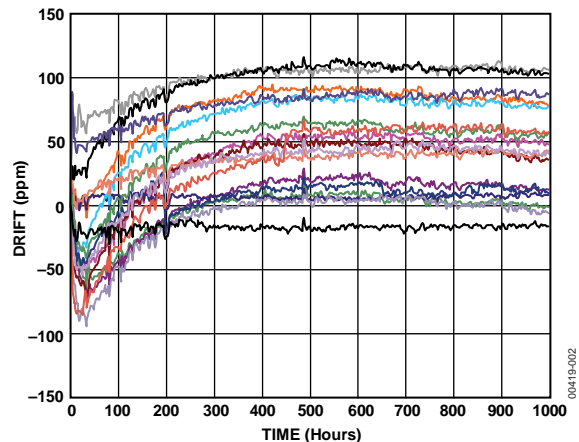
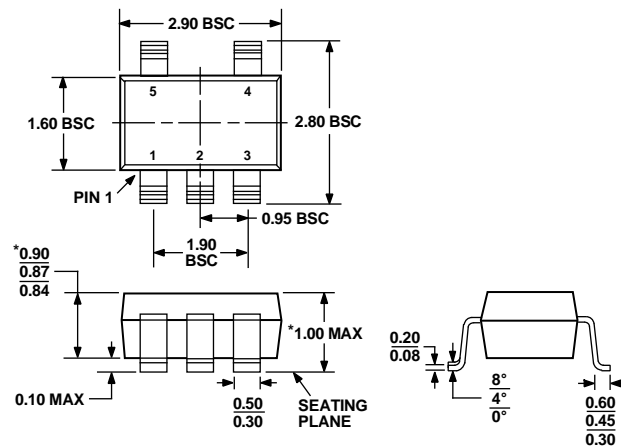


Figure 40. ADR391 Typical Long-Term Drift over 1000 Hours

ADR391/ADR392/ADR395

OUTLINE DIMENSIONS



*COMPLIANT TO JEDEC STANDARDS MO-193-AB WITH THE EXCEPTION OF PACKAGE HEIGHT AND THICKNESS.

Figure 41. 5-Lead Thin Small Outline Transistor Package [TSOT] (UJ-5)

Dimensions shown in millimeters

ORDERING GUIDE

Model	Output Voltage (V _o)	Initial Accuracy		Temperature Coefficient (ppm/°C)	Package Description	Package Option	Branding	Ordering Quantity	Temperature Range
		(mV)	(%)						
ADR391AUJZ-REEL7 ¹	2.5	±6	0.24	25	5-Lead TSOT	UJ-5	R1A	3,000	-40°C to +125°C
ADR391AUJZ-R2 ¹	2.5	±6	0.24	25	5-Lead TSOT	UJ-5	R1A	250	-40°C to +125°C
ADR391BUJZ-REEL7 ¹	2.5	±4	0.16	9	5-Lead TSOT	UJ-5	R1B	3,000	-40°C to +125°C
ADR391BUJZ-R2 ¹	2.5	±4	0.16	9	5-Lead TSOT	UJ-5	R1B	250	-40°C to +125°C
ADR392AUJZ-REEL7 ¹	4.096	±6	0.15	25	5-Lead TSOT	UJ-5	RCA	3,000	-40°C to +125°C
ADR392AUJZ-R2 ¹	4.096	±6	0.15	25	5-Lead TSOT	UJ-5	RCA	250	-40°C to +125°C
ADR392BUJZ-REEL7 ¹	4.096	±5	0.12	9	5-Lead TSOT	UJ-5	RCB	3,000	-40°C to +125°C
ADR392BUJZ-R2 ¹	4.096	±5	0.12	9	5-Lead TSOT	UJ-5	RCB	250	-40°C to +125°C
ADR392WBUJZ-R7 ^{1, 2}	4.096	±5	0.12	9	5-Lead TSOT	UJ-5	RCB	3,000	-40°C to +125°C
ADR395AUJZ-REEL7 ¹	5.0	±6	0.12	25	5-Lead TSOT	UJ-5	RDA	3,000	-40°C to +125°C
ADR395AUJZ-R2 ¹	5.0	±6	0.12	25	5-Lead TSOT	UJ-5	RDA	250	-40°C to +125°C
ADR395BUJZ-REEL7 ¹	5.0	±5	0.10	9	5-Lead TSOT	UJ-5	RDB	3,000	-40°C to +125°C
ADR395BUJZ-R2 ¹	5.0	±5	0.10	9	5-Lead TSOT	UJ-5	RDB	250	-40°C to +125°C

¹ Z = RoHS Compliant Part.

² Automotive grade.

NOTES

NOTES

Mouser Electronics

Authorized Distributor

Click to View Pricing, Inventory, Delivery & Lifecycle Information:

[Analog Devices Inc.:](#)

[ADR391AUJZ-REEL7](#) [ADR392BUJZ-REEL7](#) [ADR395BUJZ-R2](#) [ADR395AUJZ-REEL7](#) [ADR391AUJZ-R2](#)
[ADR392WBUJZ-R7](#) [ADR391BUJZ-R2](#) [ADR392AUJZ-REEL7](#) [ADR392AUJZ-R2](#) [ADR395BUJZ-REEL7](#)
[ADR395AUJZ-R2](#) [ADR392BUJZ-R2](#) [ADR391BUJZ-REEL7](#)