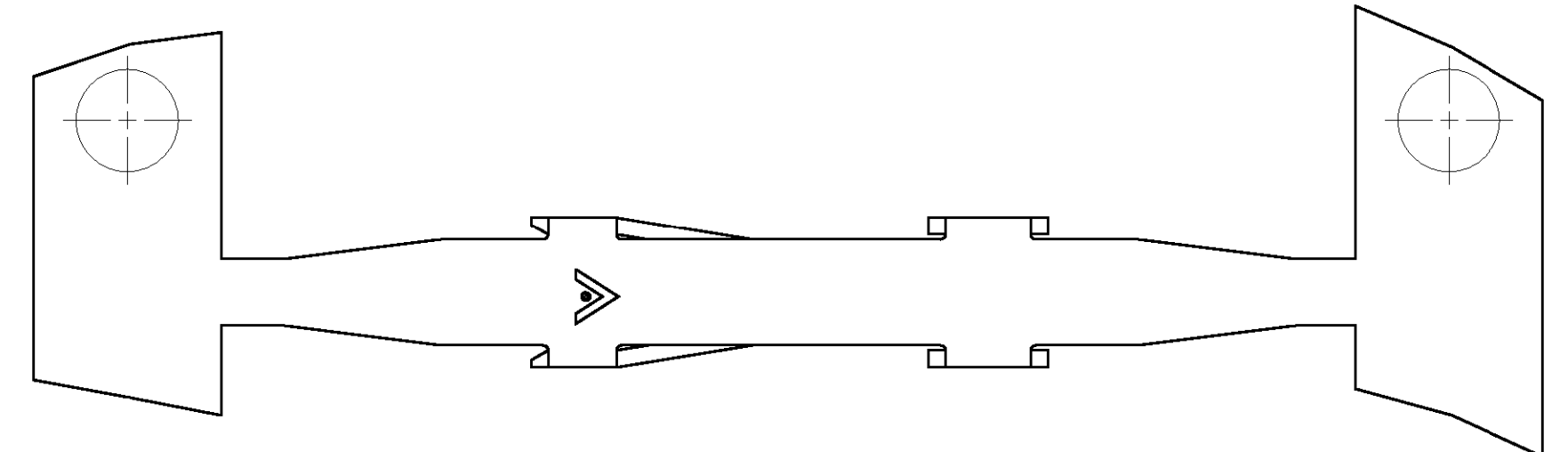
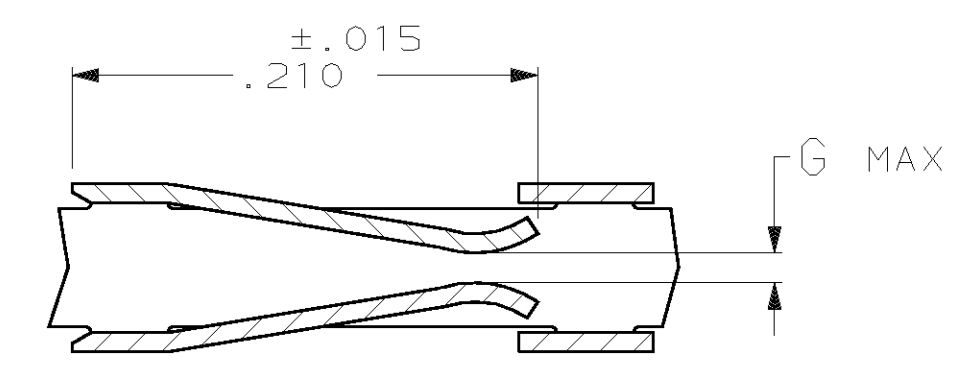
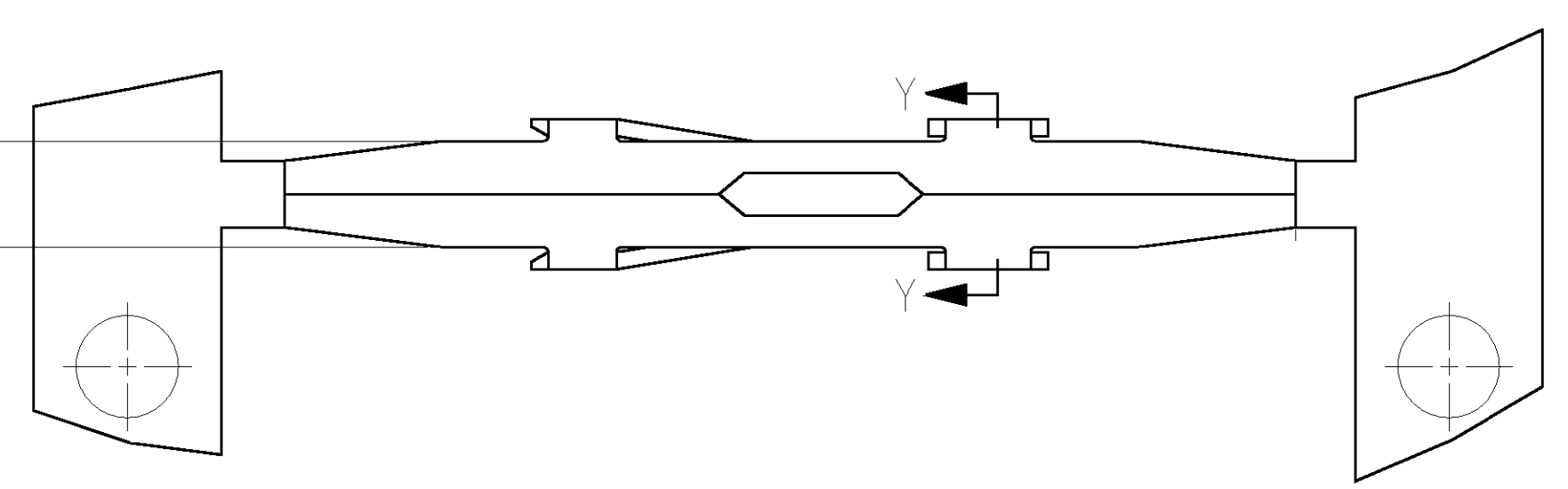
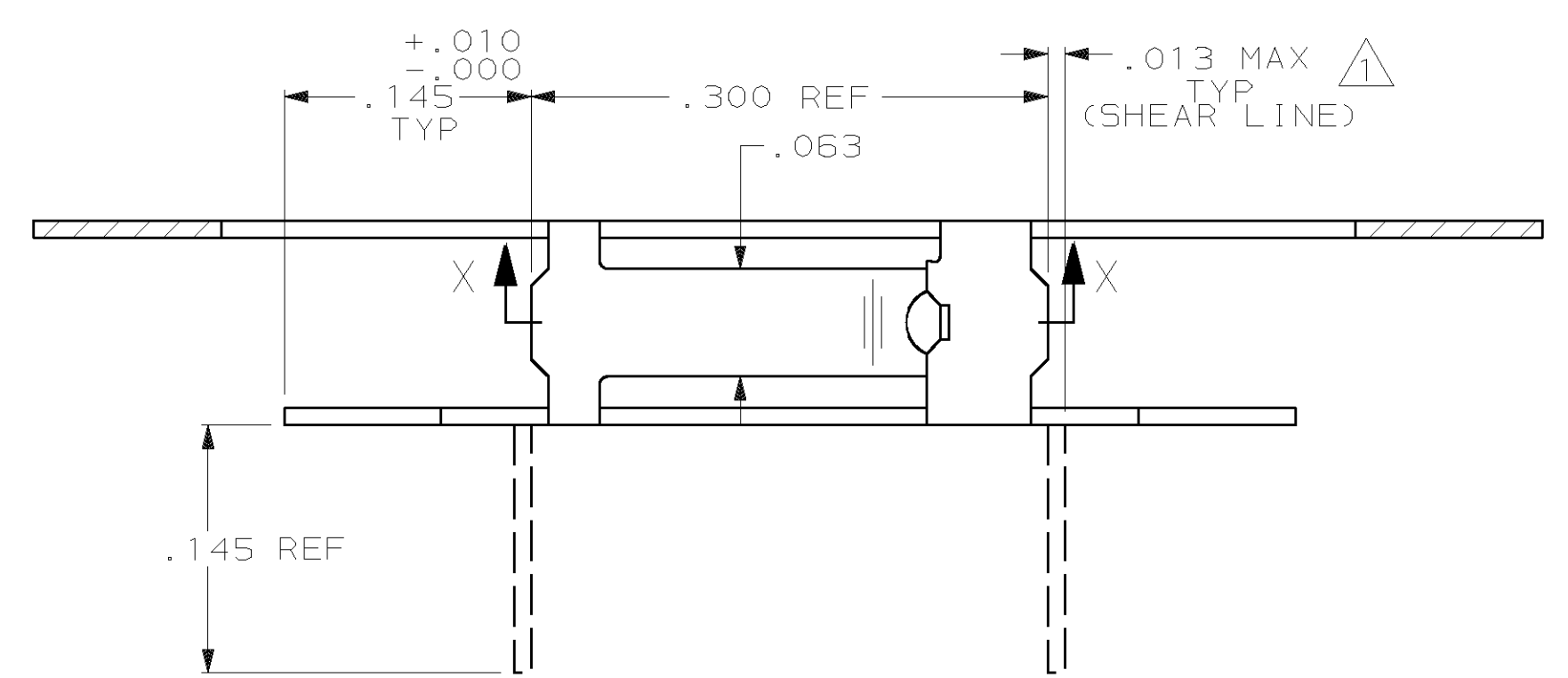


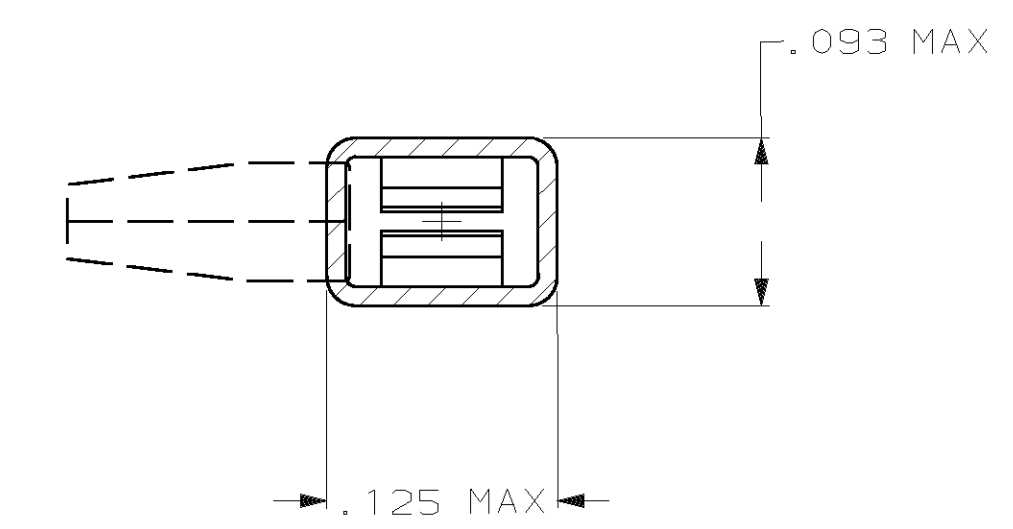
MOD	LOC	DIST	P	F	ZONE	LTR	DESCRIPTION	DATE	APPD
27	AD	39				H	REV REDRAWN PER AR2730	10-17-89	-
						J	REV PER ECN AR2785	11-10-89	-
						K	REV LOC & DIST AD-4171	3-90	BF
						L	REV PER 0010-1175-95	12-30-96	JH
						M	REV PER 063C-0062-00	11FEB00	MZ



- ① CONTACT LEGS SHOWN DOTTED & SHEAR LINES DEFINE LOOSE PIECE PART.
- ② .000030 GOLD OVER .000050 NICKEL ENTIRE TERMINAL.
- ③ .000100-.000200 BRIGHT TIN OVER .000030 NICKEL.
- ④ GOLD FLASH OVER .000050 NICKEL ENTIRE TERMINAL, .000030 GOLD IN CONTACT AREA ONLY.
- ⑤ GOLD FLASH OVER .000050 NICKEL ENTIRE TERMINAL, .000015 GOLD IN CONTACT AREA ONLY.
- ⑥ .000079 MIN TIN.
- ⑦ OBSOLETE PART NUMBER.

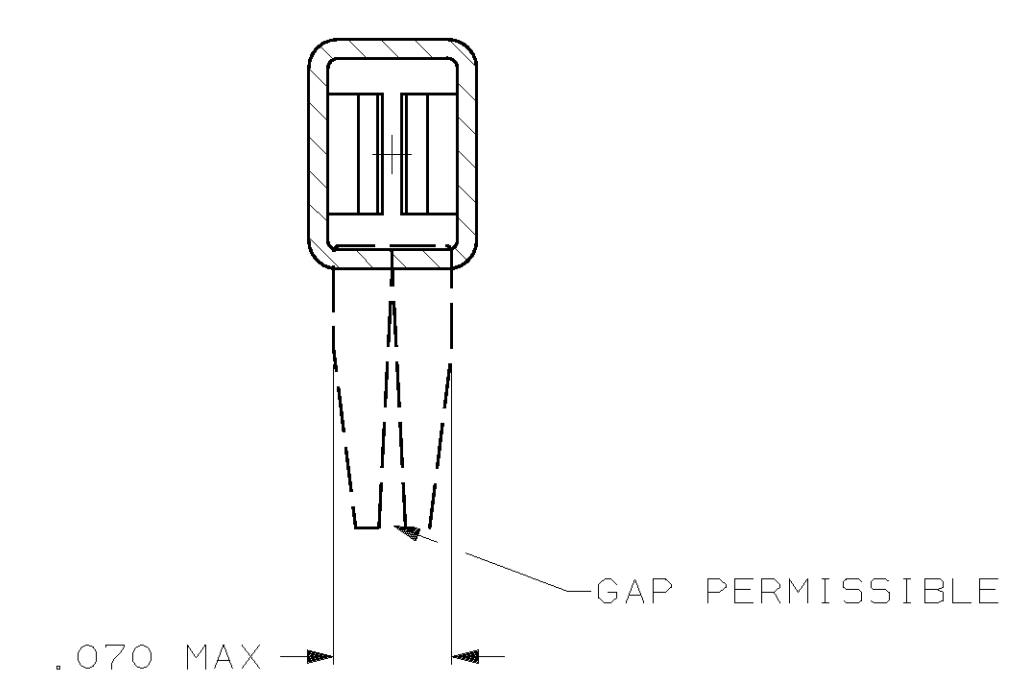


SECTION X-X

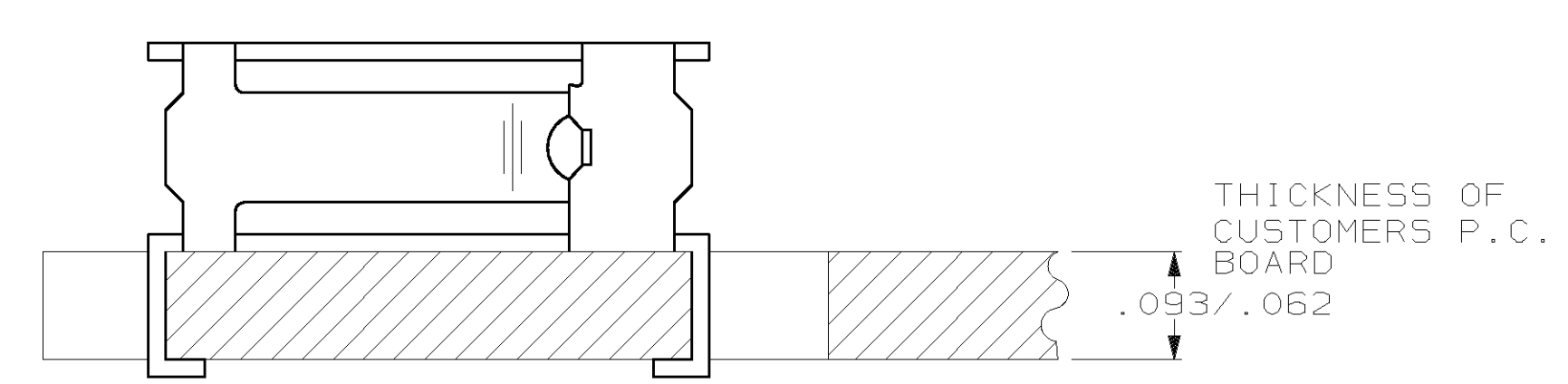


SECTION Y-Y

③ .062 MAX



GAP PERMISSIBLE



TYPICAL APPLICATION

.014	③	⑦ 85493-6	⑦ 85487-8
.010	⑤	85493-5	85487-5
.010	④	85493-4	85487-4
.010	⑥	85493-3	85487-3
.010	②	⑦ 85493-2	85487-2
.014	③	⑦ 85493-1	⑦ 85487-1
G	FINISH	LOOSE PIECE PART NO	PART NUMBER

DO NOT SCALE PRINT. UNLESS SPECIFIED DIMENSIONS IN INCHES TOLERANCES ON:		PART NO	
2 PLC DEC ± .005	3 PLC DEC ± .005	DR 10-17-89 D KEITZER	AMP INCORPORATED Harrisburg, Pa. 17105
ANGLES ±		CHK 10-23-89 SCOTT A SHUEY	NAME CONTACT, FEMALE, MOD I, HORIZONTAL, STD. PRESSURE, TYPE C
		APPD 10-23-89 MARIAN P CLARK	
PHOS. BRONZE	PRODUCT SPEC	APPD 10-23-89 B FLINCHBAUGH	SIZE D
FINISH SEE TABLE	APPLICATION SPEC		CAGE CODE 00779
	WEIGHT		DRAWING NO 85487
			SCALE 10:1
			SHEET 1 OF 1

Mouser Electronics

Authorized Distributor

Click to View Pricing, Inventory, Delivery & Lifecycle Information:

[TE Connectivity:](#)

[85487-5](#)