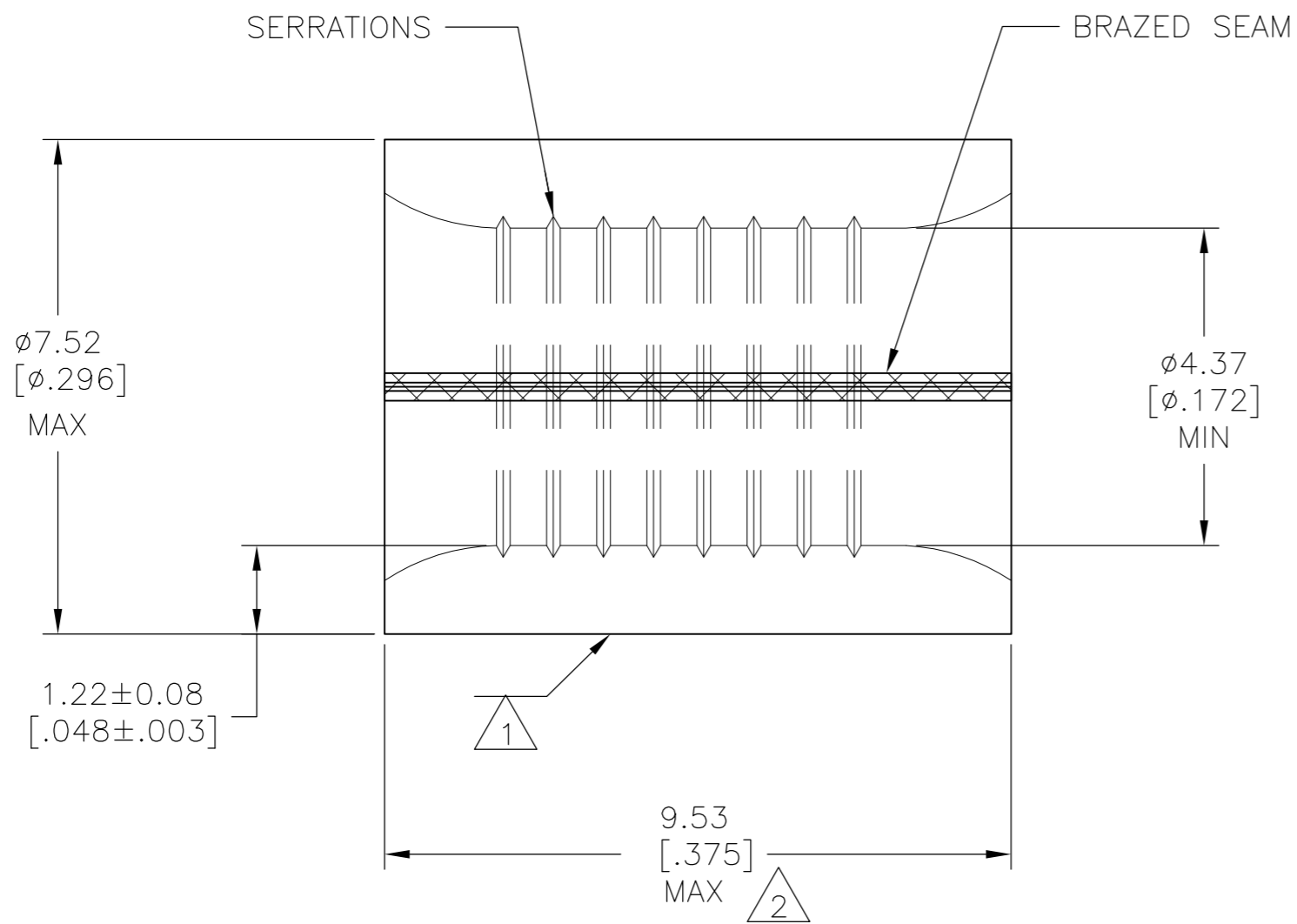


THIS DRAWING IS UNPUBLISHED. RELEASED FOR PUBLICATION
 © COPYRIGHT - By - ALL RIGHTS RESERVED.

LOC	DIST	REVISIONS					
		P	LTR	DESCRIPTION	DATE	DWN	APVD
G	14		L3	REVISED PER ECO-11-013501	30JUN11	HMR	DR

AMP
WIRE RANGE

8 AWG
SOLID OR STRANDED



- 1 STAMP AMP 8W* APPROX AS SHOWN
- 2 MAXIMUM LENGTH DOES NOT INCLUDE MANUFACTURING TABS
- 3 COPPER PER ASTM B-152 ANNEALED
- 4 UL LISTED E13288, 8 AWG STRANDED.
- 5 CSA CERTIFIED LR7189, 8 AWG SOLID OR STRANDED
- 6 TIN PLATE 0.00254[.000100] MIN THK PER ASTM B545
- 7 NICKEL PLATE 0.01651[.000650] MIN THK PER SAE AMS QQ-N-290
- 8 TIN/LEAD (60/40) PLATE, 0.00254 [.000100] MIN THK PER SAE-AMS-P-81728
- 9 GOLD PLATE 0.00127[.000050] MIN EXT THK PER ASTM B488 TYPE 1, CODE C OVER NICKEL PLATE 0.00127[.000050] MIN EXT THK PER SAE AMS QQ-N-290 OVER Cu FLASH PER SAE AMS 2418
- 10 NOTE DELETED.

4 5	25	LOOSE PIECE	170°C[338°F]	6	8-34318-3
4 5	1000	LOOSE PIECE	170°C[338°F]	6	2-34318-3
---	100	LOOSE PIECE	343°C[650°F]	7	2-34318-1
---	100	LOOSE PIECE	260°C[500°F]	9	34318-3
---	100	LOOSE PIECE	170°C[338°F]	8	34318-1
4 5	500	LOOSE PIECE	170°C[338°F]	6	34318
APPROVALS	QTY	PACKAGE TYPE	MAX OPERATING TEMP	FINISH	PART NO
THIS DRAWING IS A CONTROLLED DOCUMENT.			DWN TA BRINKMAN 4-5-93		
			CHK DA PATTERSON 4-5-93		
			APVD DA PATTERSON 4-5-93		
			PRODUCT SPEC		
DIMENSIONS: mm [INCHES] 			TOLERANCES UNLESS OTHERWISE SPECIFIED: 0 PLC ± - 1 PLC ± - 2 PLC ± - 3 PLC ± - 4 PLC ± - ANGLES ± -		
MATERIAL - 3			FINISH SEE TABLE		
CUSTOMER DRAWING			WEIGHT -	SIZE A2	CAGE CODE 00779
			DRAWING NO C=34318		RESTRICTED TO -
			SCALE 10:1	SHEET 1 OF 1	REV L3

AMP INCORPORATED CUSTOMER SERVICE SYSTEMS		MAX RECOMMENDED OPERATING TEMPERATURE: SEE TABLE
FOR ADDITIONAL PRODUCT INFORMATION OR COPIES OF DRAWINGS AND TECHNICAL DOCUMENTS	PRODUCT INFORMATION CENTER 1-800-522-6752	VOLTAGE RATING: N/A
FOR APPLICATION TOOLING INFORMATION	TOOLING ASSISTANCE CENTER 1-800-722-1111	CIRCULAR MIL AREA: 6.64-10.5mm²[13,100-20,800] SOLID OR STRANDED
FOR ORDER ENTRY	1-800-526-5142	THIS DRAWING IS A CONTROLLED DOCUMENT FOR AMP INCORPORATED. IT IS SUBJECT TO CHANGE AND THE CONTROLLING ENGINEERING ORGANIZATION SHOULD BE CONTACTED FOR THE LATEST REVISION.

Mouser Electronics

Authorized Distributor

Click to View Pricing, Inventory, Delivery & Lifecycle Information:

[TE Connectivity:](#)

[34318](#)