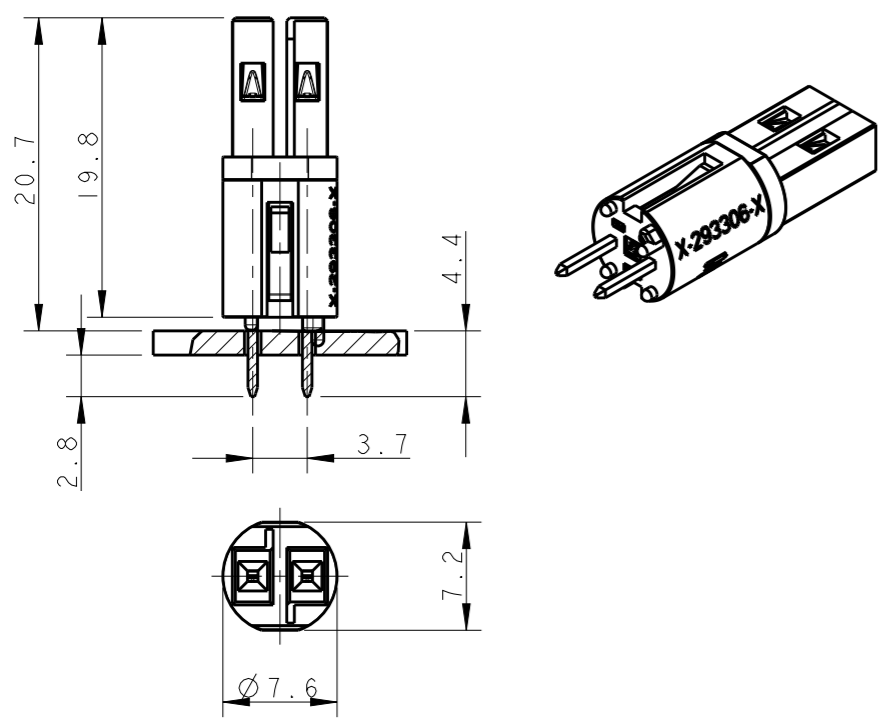


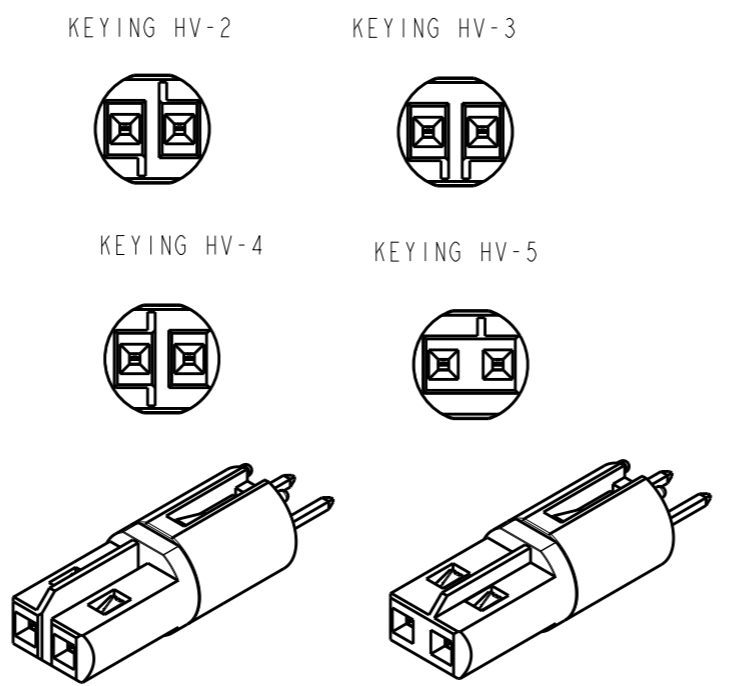
THIS DRAWING IS UNPUBLISHED. RELEASED FOR PUBLICATION 20
 © COPYRIGHT 20 BY - ALL RIGHTS RESERVED.

LOC	DIST	REVISIONS					
		P	LTR	DESCRIPTION	DATE	DWN	APVD
1	2		A	FIRST ISSUE	28FEB2010	AV	GT
			AI	REVISED PER ECR-13-009678	18SEP2013	RS	DD

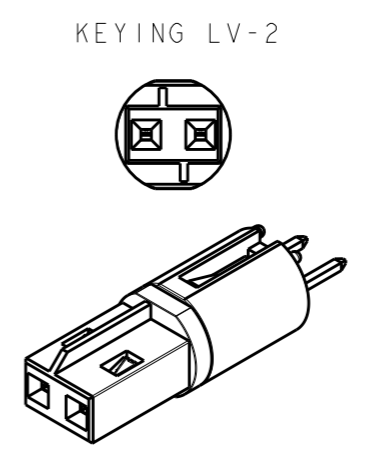
TYPICAL APPLICATION



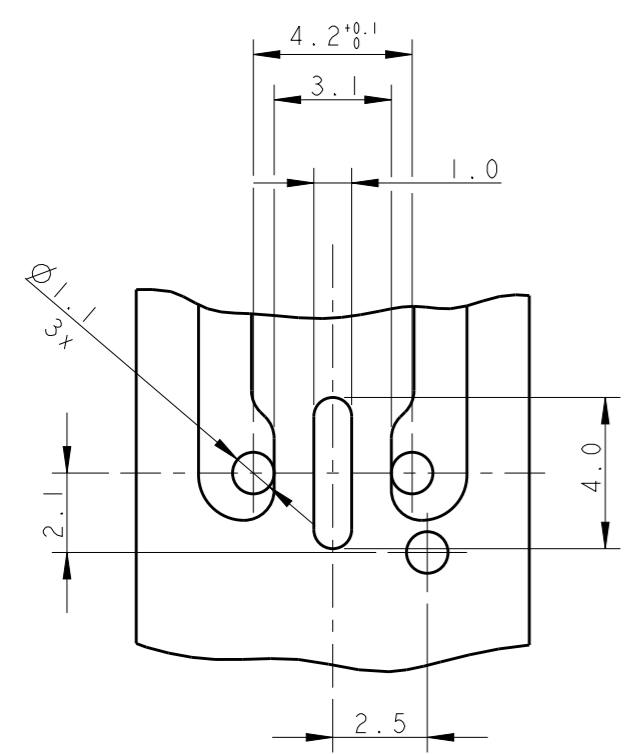
HIGH VOLTAGE



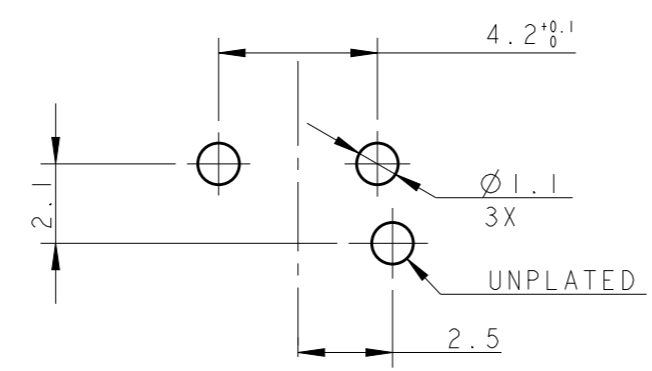
LOW VOLTAGE



PRINTED CIRCUIT BOARD LAYOUT FOR HIGH VOLTAGE VERSION
 TOLERANCES UNLESS OTHERWISE SPECIFIED ± 0.05
 PRINTED CIRCUIT BOARD THICKNESS: 1.6 mm NOMINAL



PRINTED CIRCUIT BOARD LAYOUT FOR LOW VOLTAGE VERSION
 TOLERANCES UNLESS OTHERWISE SPECIFIED ± 0.05
 PRINTED CIRCUIT BOARD THICKNESS: 1.6 mm NOMINAL



MATERIALS:

- 1) CONTACTS: SOLDERING SIDE TIN PLATED Ph. BRONZE RECEPTACLE IN SPECIAL ALLOY COPPER TIN PLATED
- HOUSING: PBT 15%GFF UL 94 V0 COLOR WHITE

2) P/N 293655-1 POLARIZATION KEY HV-2 TO BE USED FOR SWITCH APPLICATION ONLY

KEYING	REMARKS	PART NUMBER	REV
LV-2	LOW-VOLT 42 V DC	293655-5	A
HV-5	HIGH-VOLT 125 V AC	293655-4	A
HV-4	HIGH-VOLT 125 V AC	293655-3	A
HV-3	HIGH-VOLT 125 V AC	293655-2	A
2) HV-2	HIGH-VOLT 125 V AC	293655-1	A
NOTE	KEYING	REMARKS	PART NUMBER REV

THIS DRAWING IS A CONTROLLED DOCUMENT.		DWN 18FEB2010 A. Vecchia	TE Connectivity	
DIMENSIONS: mm		CHK 18FEB2010 G. Turco		
TOLERANCES UNLESS OTHERWISE SPECIFIED:		APVD 18FEB2010 G. Turco	NAME 7,5 mm PCB CONNECTOR ASSEMBLY STRAIGHT FEMALE VERSION FOR USA MARKET	
0 PLC ±-	1 PLC ±0.5	PRODUCT SPEC 108-20294	SIZE	CAGE CODE
2 PLC ±0.3	3 PLC ±-	APPLICATION SPEC 114-32102	A300779	293655
4 PLC ±-	ANGLES ±0.5°	WEIGHT -	RESTRICTED TO -	
MATERIAL -	FINISH -	Customer Drawing	SCALE 5:1	SHEET 1 OF 1

Mouser Electronics

Authorized Distributor

Click to View Pricing, Inventory, Delivery & Lifecycle Information:

[TE Connectivity:](#)

[293655-2](#)