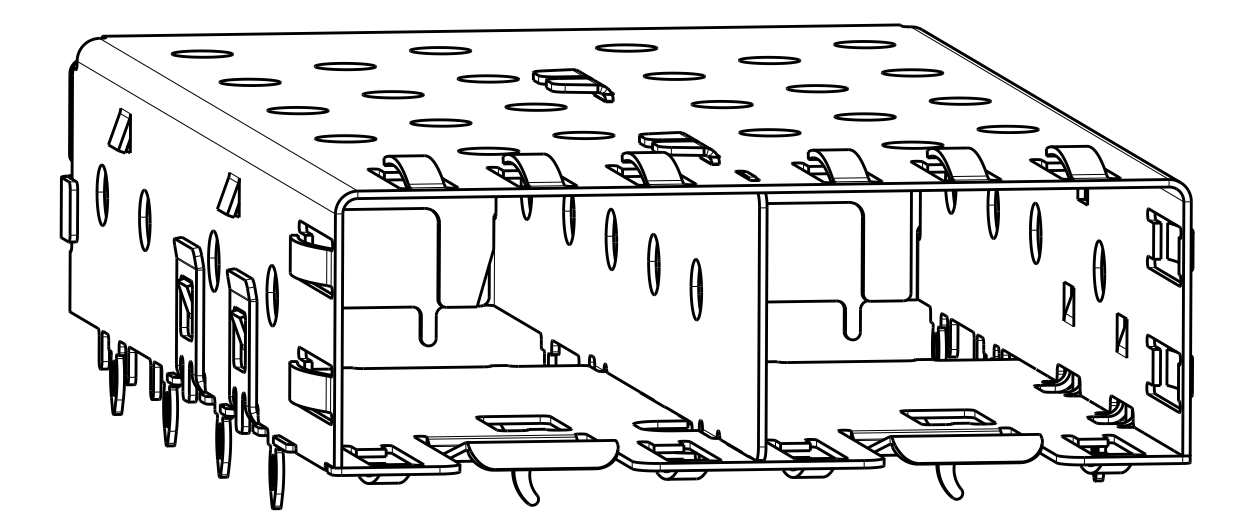
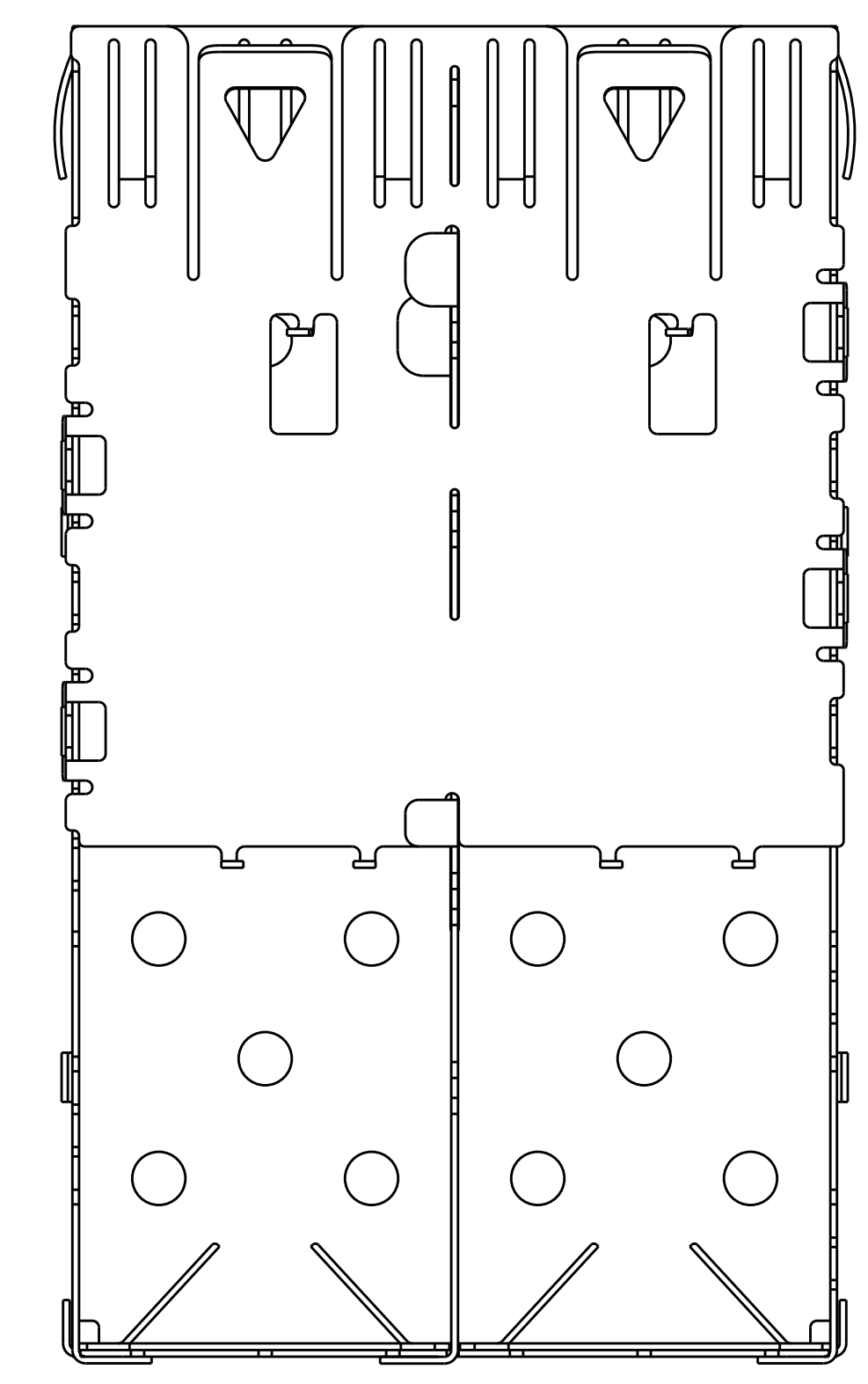
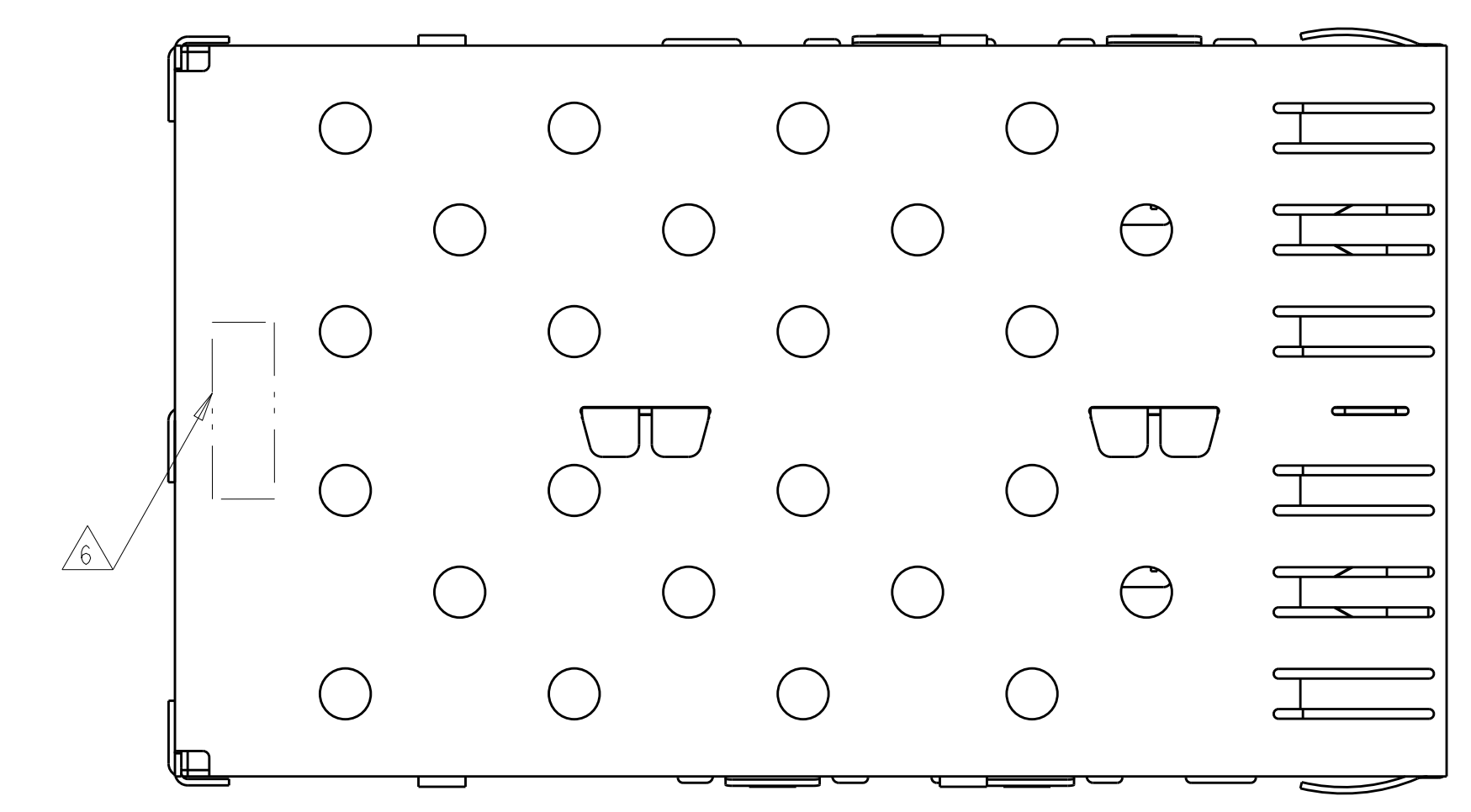
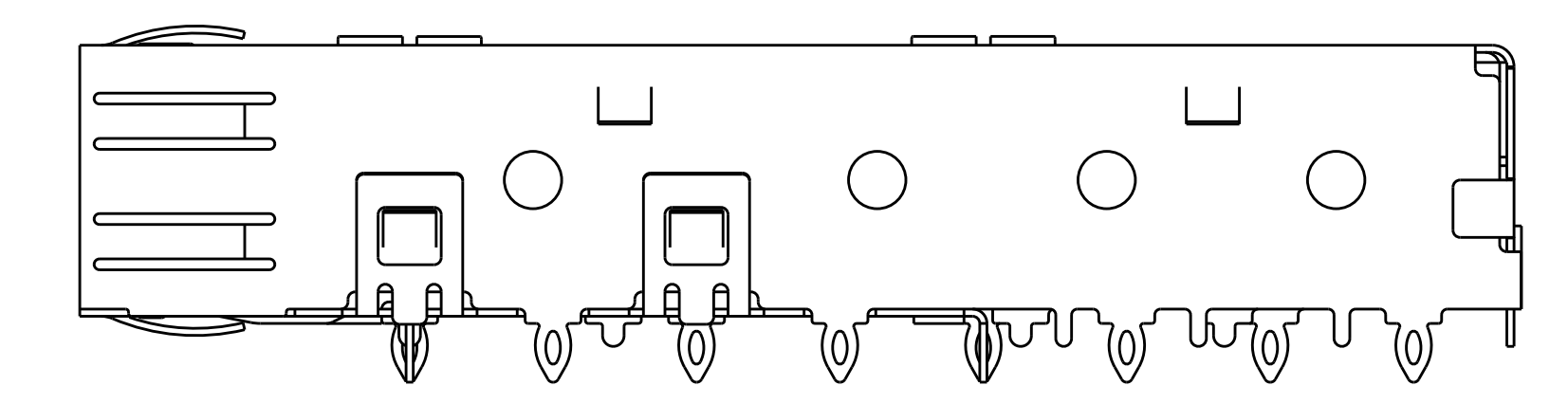
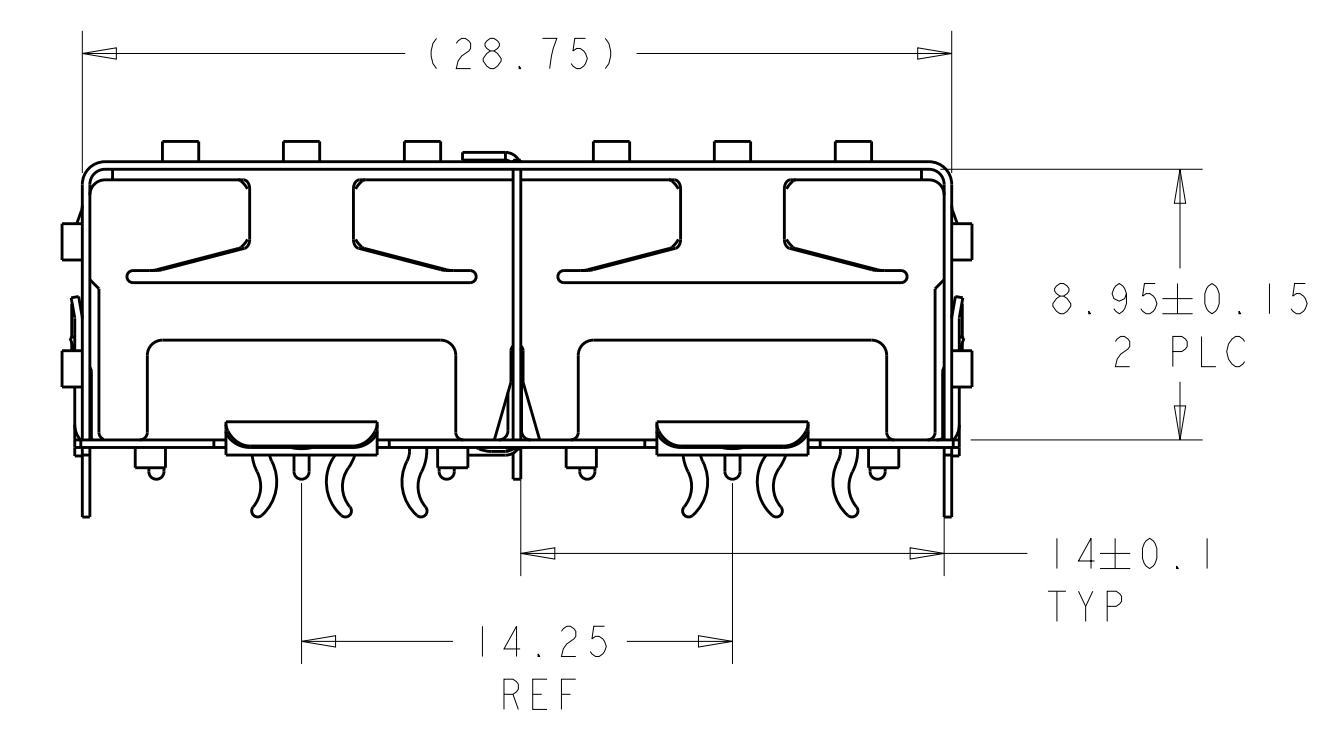
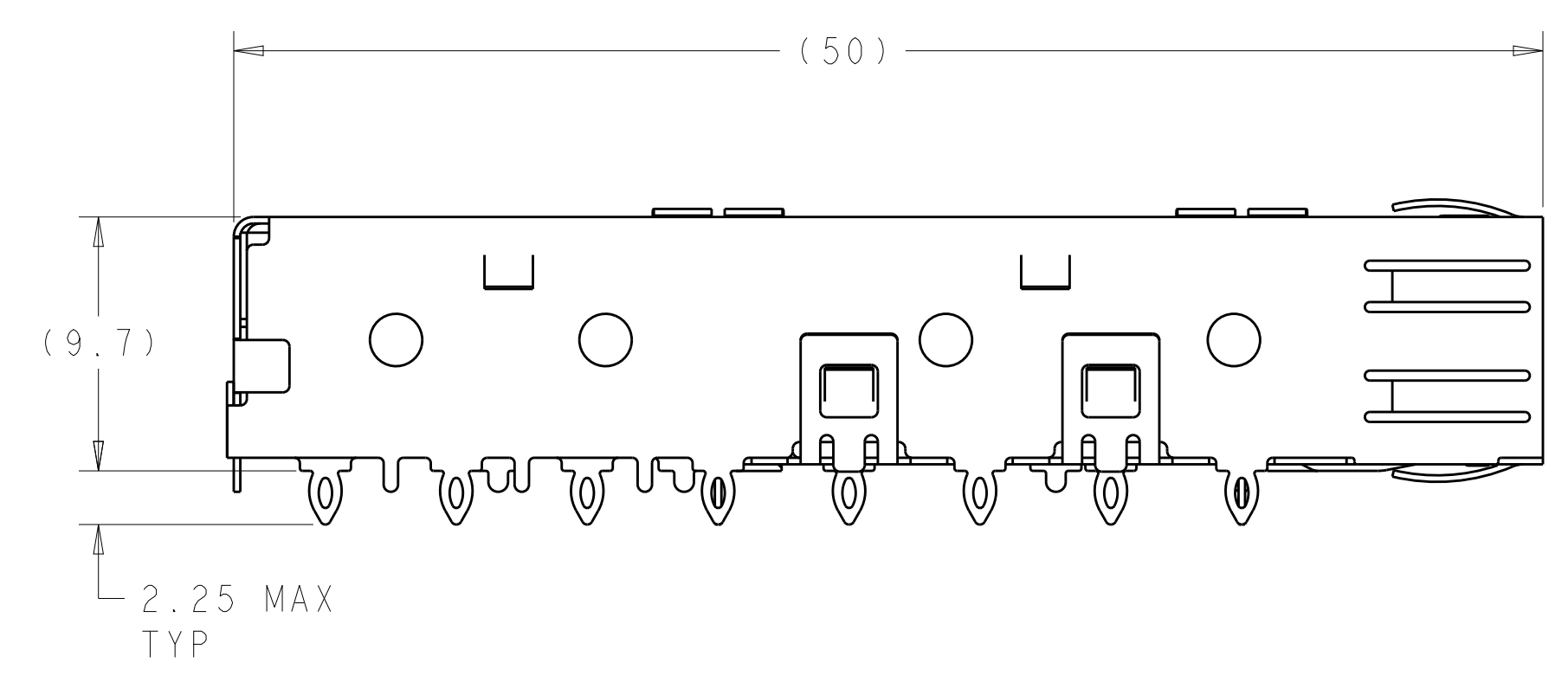
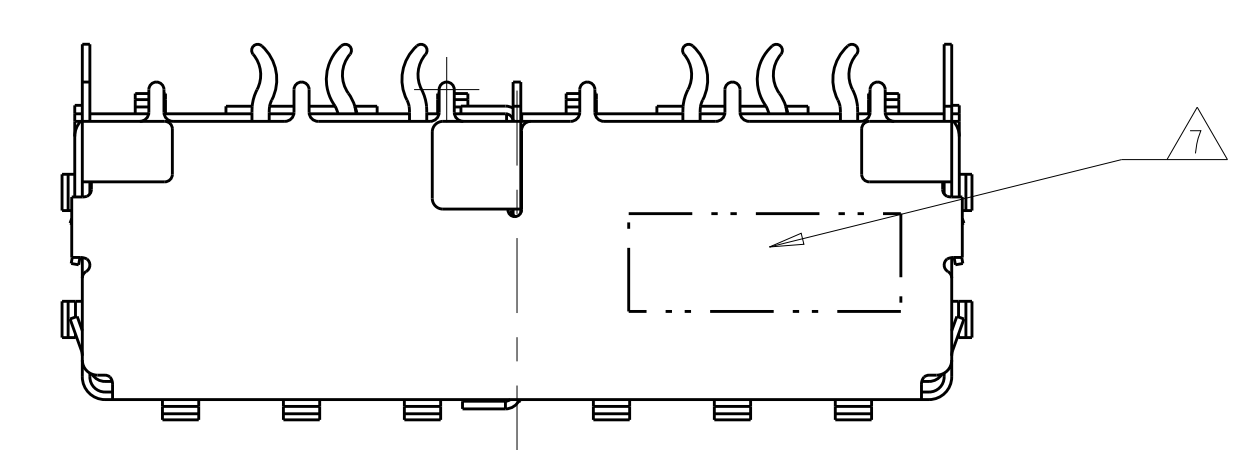


LOC	DIST	REVISIONS					
		P	LTN	DESCRIPTION	DATE	DWN	APVD
GP	00						
		D1		REVISED PER ECO-11-005027	10MAY2011	RK	HMR
		E		REVISED PER ECO-14-000886	20FEB2014	JW	SH
		E1		REVISED PER ECO-14-010419	11JUL2014	JW	SH
		F		REVISED PER ECO-15-013594	25SEP2015	JW	SH

- 1 MATERIAL: COPPER ALLOY.
- 2 FINISH: TIN PLATING PER ASTM B 545, 1.25µm MINIMUM THICKNESS ALL OVER NICKEL FLASH PER QQ-N-290. NONPLATED EDGES PERMISSIBLE.
- 3 PADS AND VIAS CHASSIS GROUND.
- 4 DATUM AND BASIC DIMENSIONS ESTABLISHED BY CUSTOMER.
- 5 REFERENCE APPLICATION SPEC 114-13120, HOLE A, FOR RECOMMENDED DRILL HOLE DIAMETER AND PLATING THICKNESSES.
- 6 COMPANY LOGO IN APPROXIMATE AREA SHOWN
- 7 DATE CODE AND PART NUMBER IN APPROXIMATE AREA SHOWN.
- 8 MATERIAL: NICKEL SILVER ALLOY (NO PLATING)



1761014-1&3  
 1X2 CAGE ASSEMBLY  
 SCALE 4:1



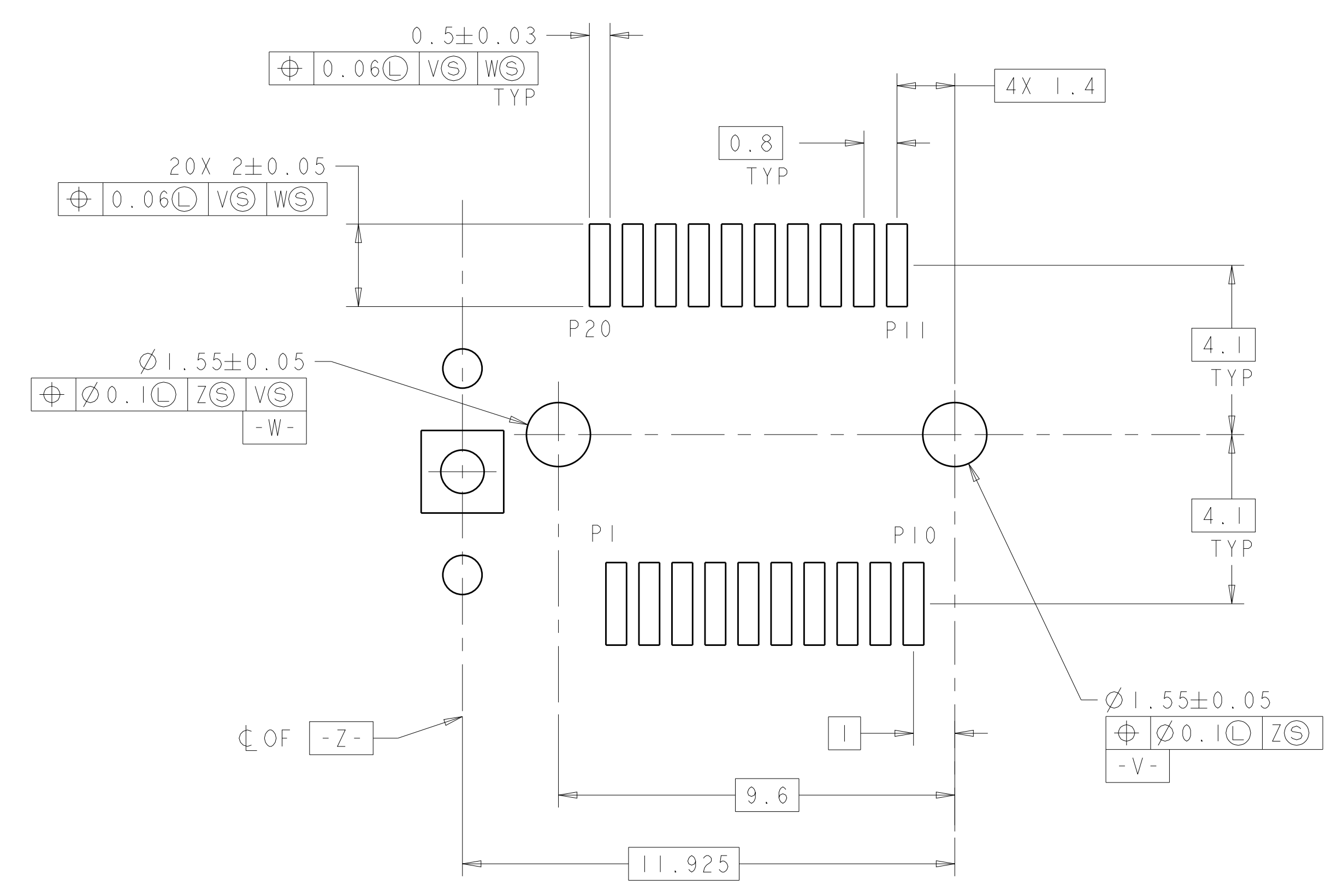
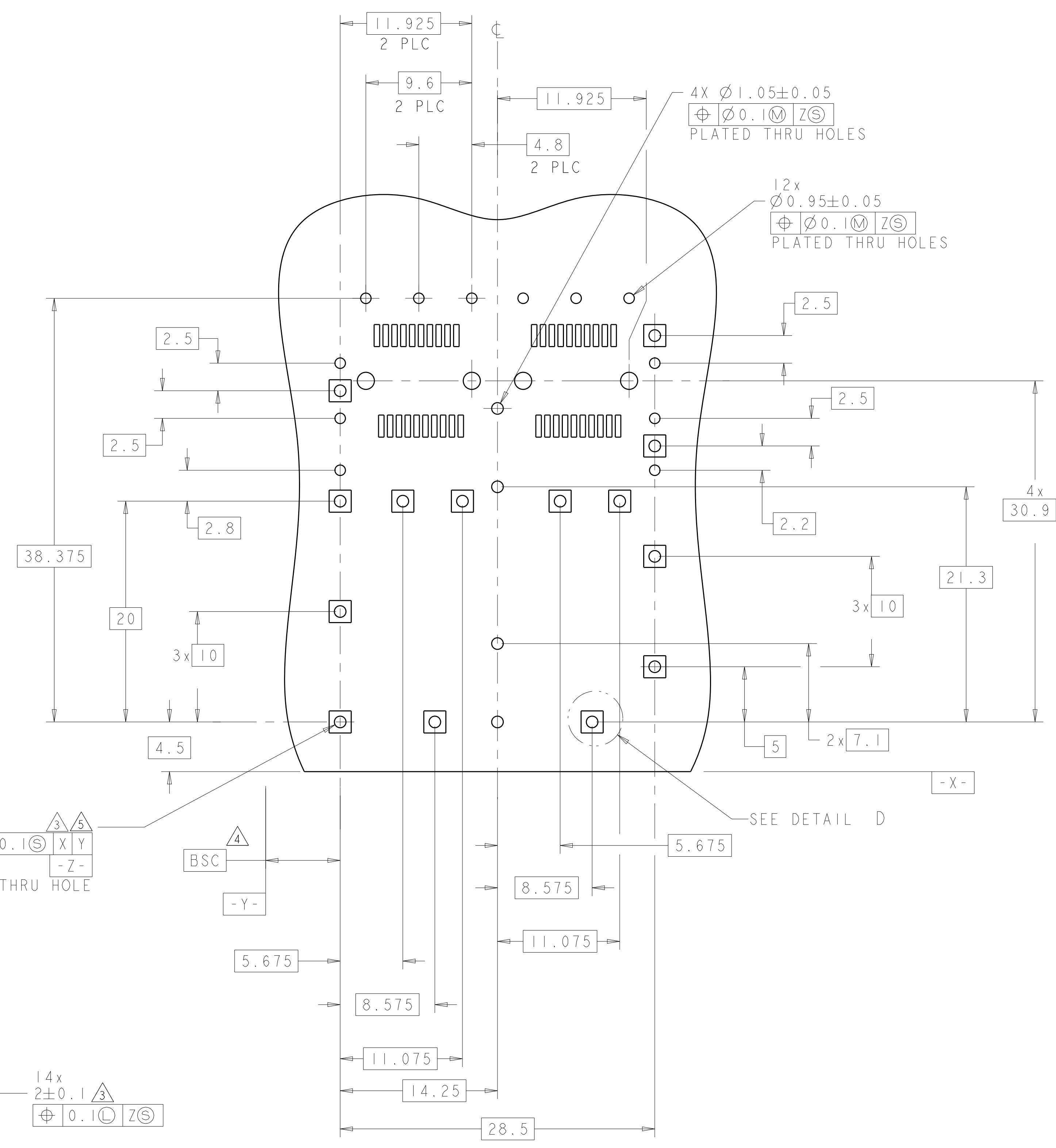
**SUPERSEDED BY:**  
 1761014-3

NO	8	1 x 2 CAGE	1761014-3
2	1	1 x 2 CAGE	1761014-1
FINISH	MATERIAL	DESCRIPTION	PART NO

THIS DRAWING IS A CONTROLLED DOCUMENT.		DWN	JW VAN SCOY	15MAR2004
DIMENSIONS:		CHK	MJ PHILLIPS	15MAR2004
mm	0 PLC ±	APVD	MJ PHILLIPS	15MAR2004
	1 PLC ±0.10	NAME		ASSEMBLY, CAGE,
	2 PLC ±	PRODUCT SPEC		1X2 PRESS FIT,
	3 PLC ±	APPLICATION SPEC		SFP
	4 PLC ±	SIZE	CAGE CODE	DRAWING NO
	ANGLES ±	114-13120	A100779	C=1761014
MATERIAL	FINISH	WEIGHT	RESTRICTED TO	
1	2		CUSTOMER DRAWING	
SCALE 4:1		SHEET 1	OF 2	REV F

**STE** TE Connectivity

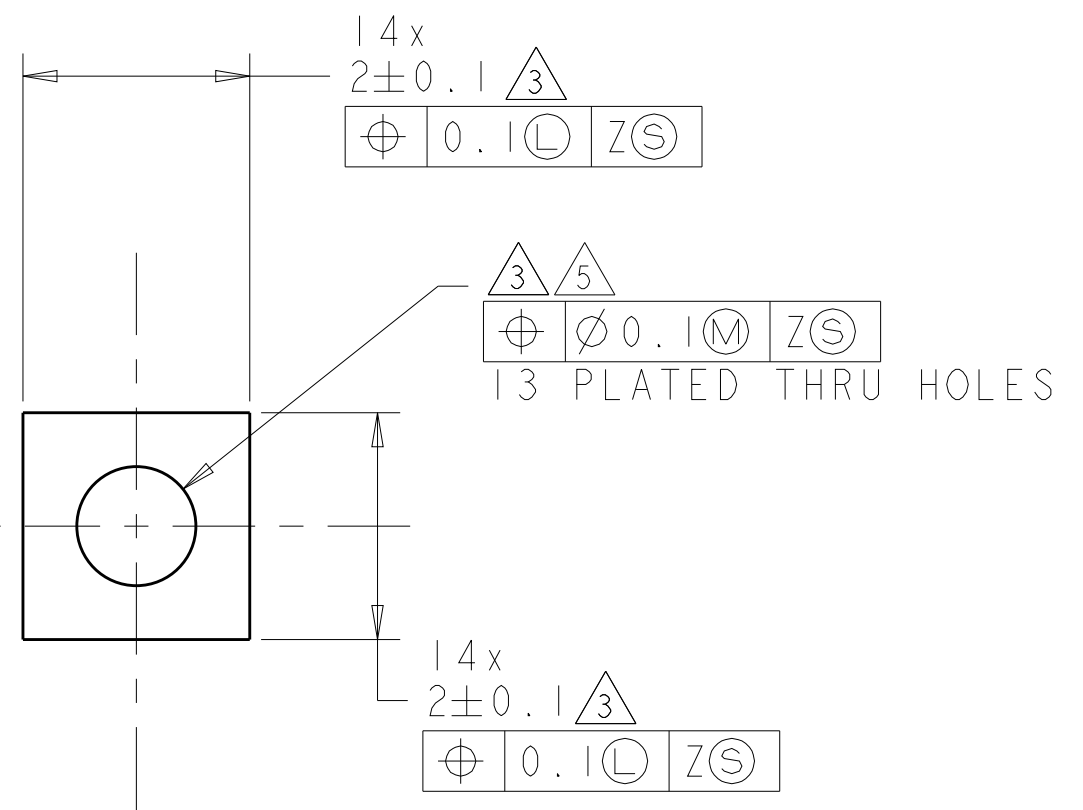
LOC	DIST	REV	DATE	BY	APPV
GP	00				
DESCRIPTION					
SEE SHEET 1					



PT CONNECTOR  
RECOMMENDED PCB  
CONFIGURATION  
SCALE 10:1

PLATED THRU HOLE  
Ø0.1±0.05  
XY  
-Z-

RECOMMENDED PC BOARD  
CONFIGURATION  
SCALE 4:1



DETAIL D  
SCALE 15:1

THIS DRAWING IS A CONTROLLED DOCUMENT.		DWN: W. VAN SCOY CHK: M.J. PHILLIPS APVD: M.J. PHILLIPS DATE: 15MAR2004 PRODUCT SPEC: 108-1950 APPLICATION SPEC: 114-13120 WEIGHT: - CUSTOMER DRAWING	NAME: ASSEMBLY, CAGE, 1X2 PRESS FIT, SFP SIZE: A1 CAGE CODE: 1761014 SCALE: 4:1 SHEET: 2 OF 2 REV: F
DIMENSIONS: mm TOLERANCES UNLESS OTHERWISE SPECIFIED: 0 PLC ± 1 PLC ±0.10 2 PLC ± 3 PLC ± 4 PLC ± ANGLES ±2°	MATERIAL: - FINISH: -	DWG NO: 15MAR2004 DATE: 15MAR2004 PRODUCT SPEC: 108-1950 APPLICATION SPEC: 114-13120 WEIGHT: - CUSTOMER DRAWING	NAME: ASSEMBLY, CAGE, 1X2 PRESS FIT, SFP SIZE: A1 CAGE CODE: 1761014 SCALE: 4:1 SHEET: 2 OF 2 REV: F

# Mouser Electronics

Authorized Distributor

Click to View Pricing, Inventory, Delivery & Lifecycle Information:

[TE Connectivity:](#)

[1761014-3](#)