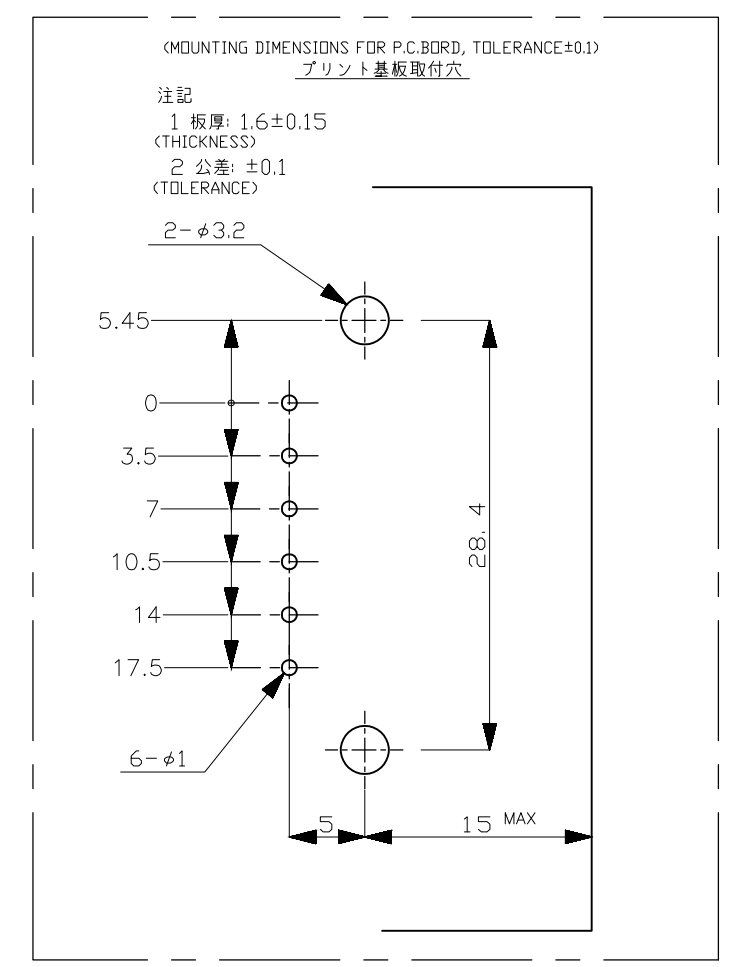
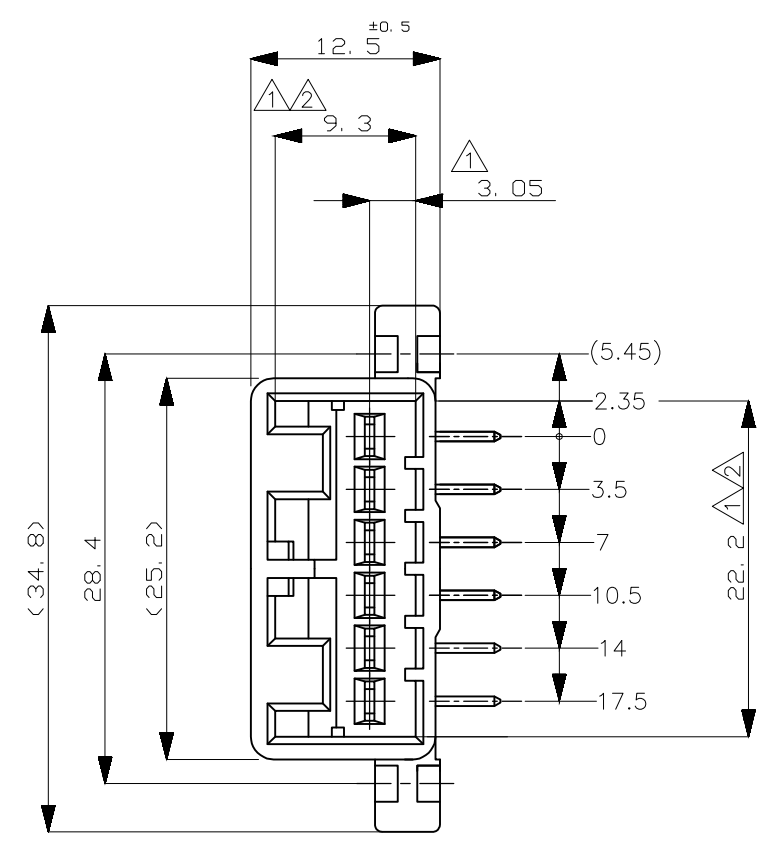
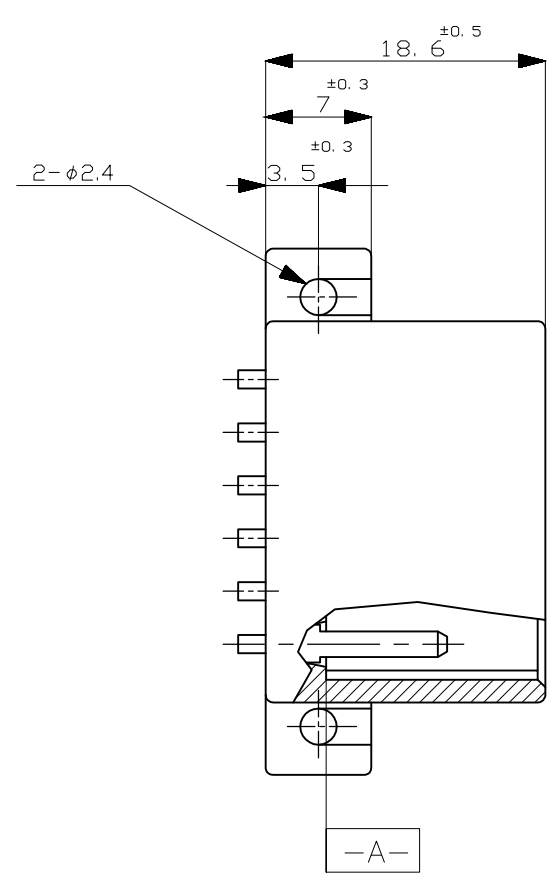
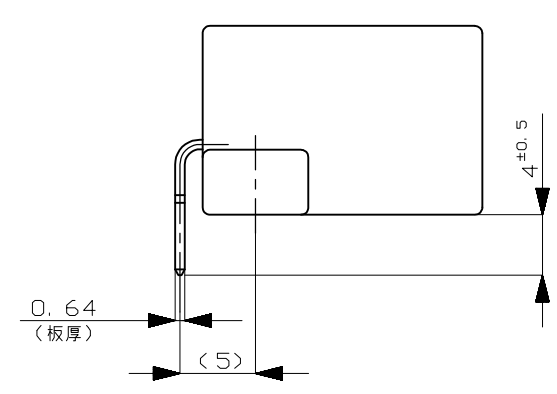


THIS DRAWING IS UNPUBLISHED. RELEASED FOR PUBLICATION
 © COPYRIGHT 2004 By - ALL RIGHTS RESERVED.

LOC	DIST	REVISIONS					
J	-	P	LTR	DESCRIPTION	DATE	DWN	APVD
			A4	REVISED PER ECO-11-005140	28MAR11	RK	HMR



- 注記
- A- 面より2mmの範囲で測定
 - 相手ハウジング (型番: 174923) と所定の機能を満たして嵌合できること
 - プリント基板への取付けは、JIS-B1115 又は1122、M3X6ナベ (2種又は4種) のタッピングネジで締め付けた後ハンダ付けする。
(締め付けトルク: 0.392N-m以下)
- NOTE
- MUST BE KEPT BETWEEN -A- AND 2
 - TO MATE WITH PLUG HSG (P/N 174923) SMOOTHLY
 - RECOMMEND MOUNTING SCREW; M3X6 PAN HEAD, CLASS 2 TAPPING SCREW SPECIFIED IN JIS B1115, B1122 (TIGHTENING TORQUE; 0.392N-m MAX)



CARTON BOX	AIR CAP BAG	PRE-TIN	YELLOW	175783-7	
	PVC TUBE	PRE-TIN	YELLOW	175783-5	
	PVC TUBE	PRE-TIN	BLACK	175783-4	
	PVC TUBE	PRE-TIN	WHITE	175783-3	
	AIR CAP BAG	PRE-TIN	BLACK	175783-2	
AIR CAP BAG	PRE-TIN	WHITE	175783-1		
OUTER 外装	INNER 内装	SOLDERING SIDE 半田付け側	CONTACT SIDE 接触部側	COLOR 色	PART NUMBER 製品型番
PACKING STYLE 梱包形態		CONTACT FINISH コンタクト仕上げ			

TOLERANCE UNLESS OTHERWISE SPECIFIED: 一般公差

0 < * ≤ 10	: ±0.2
10 < * ≤ 30	: ±0.25
30 < * ≤ 100	: ±0.3
ANGLE ; 角度	: ±3°

THIS DRAWING IS A CONTROLLED DOCUMENT.

DIMENSIONS: 単位: 耗 mm	TOLERANCES UNLESS OTHERWISE SPECIFIED: 一般公差	DWN A.YAMAGUCHI 26APR04	TE Connectivity
	0 PLC ±-	CHK K.BETSUI 26APR04	
	1 PLC ±-	APVD K.BETSUI 26APR04	
	2 PLC ±-	NAME 070 SERIES MULTILOCK I/O CONNECTOR	
	3 PLC ±-	PRODUCT SPEC 108-5216	6 POSITION CAP HOUSING (H-TYPE)
	4 PLC ±-	APPLICATION SPEC 取付適用規格	SIZE A3
	ANGLES ±-	WEIGHT -	CAGE CODE 00779
MATERIAL 材料 HSG:PBT TAB:SEE TABLE	FINISH 仕上 SEE TABLE	DRAWING NO 175783	
CUSTOMER DRAWING		RESTRICTED TO -	SCALE 2:1 SHEET 1 OF 1 REV A4

Mouser Electronics

Authorized Distributor

Click to View Pricing, Inventory, Delivery & Lifecycle Information:

[TE Connectivity:](#)

[175783-1](#)