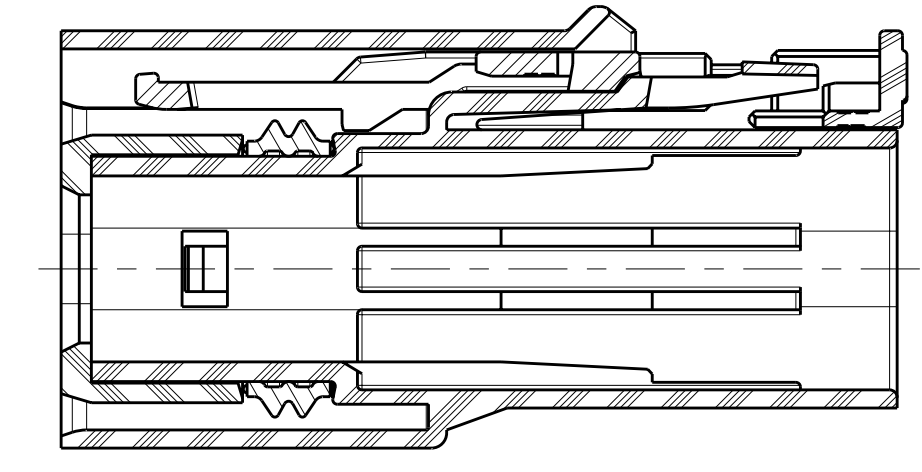
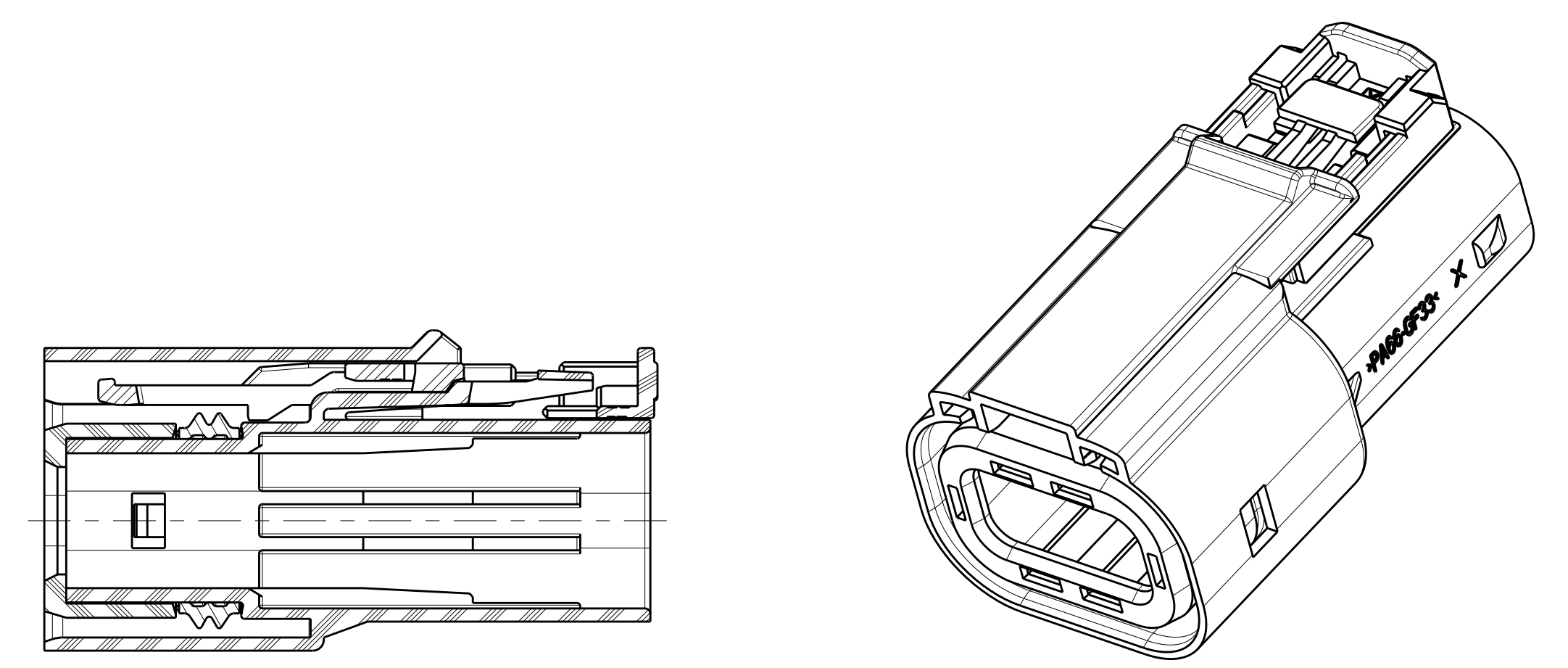
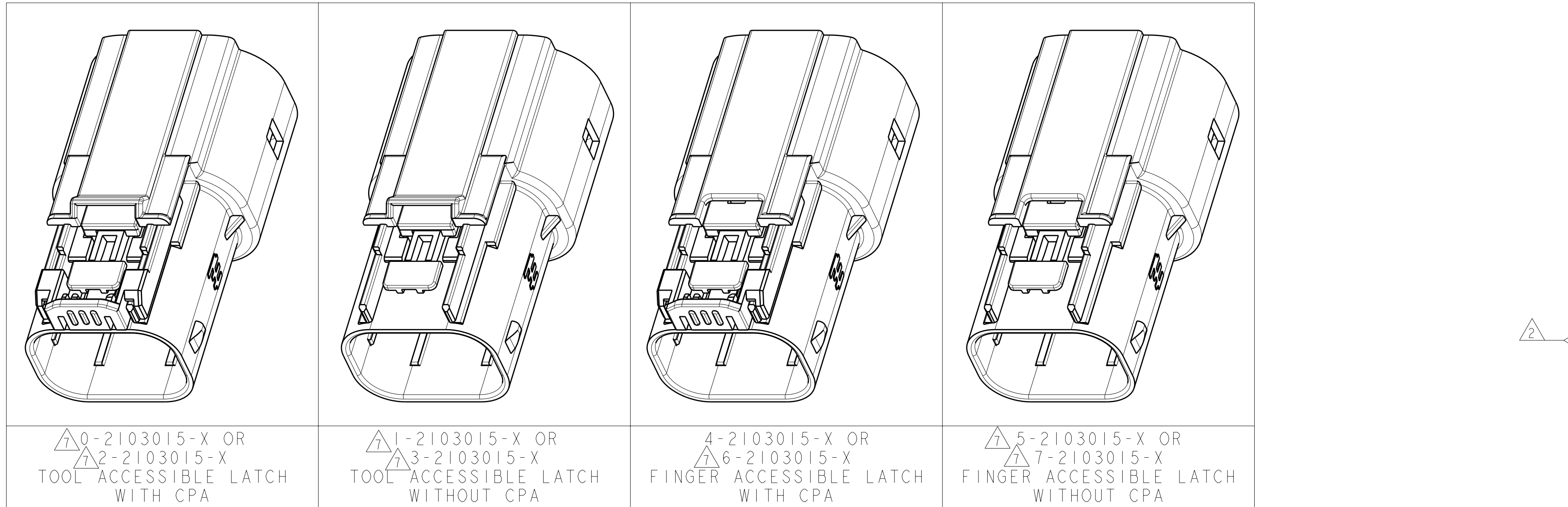
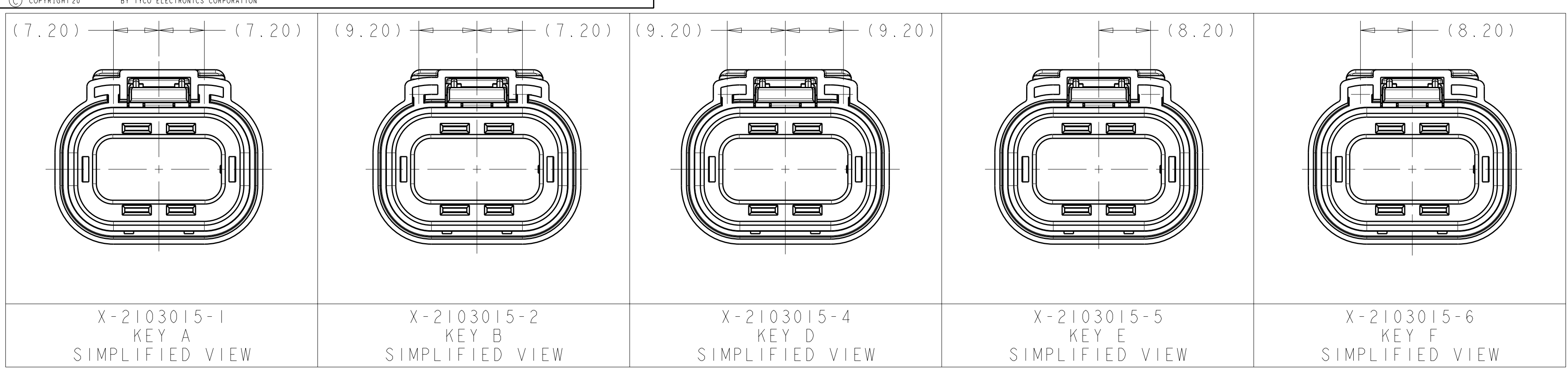
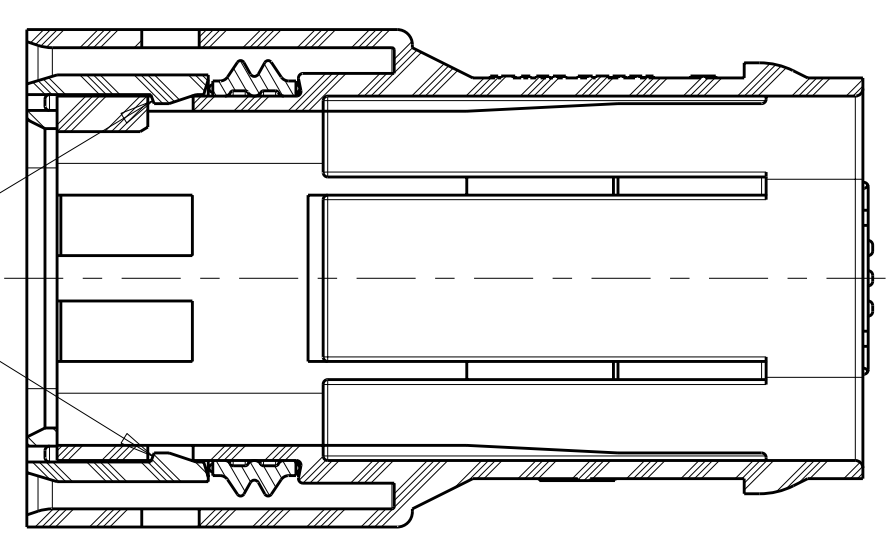


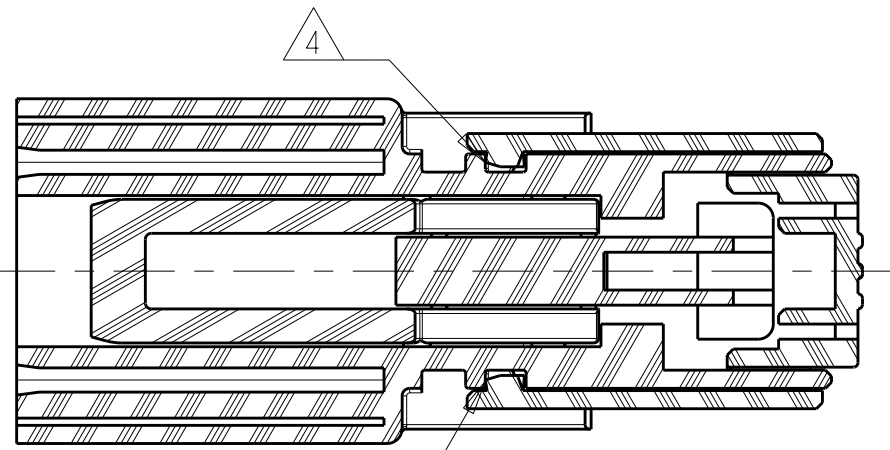
LOC	DIST	REV	DATE	DRN	APVD
HV	00	A	ECO-11-024207	02DEC2011	DR DR



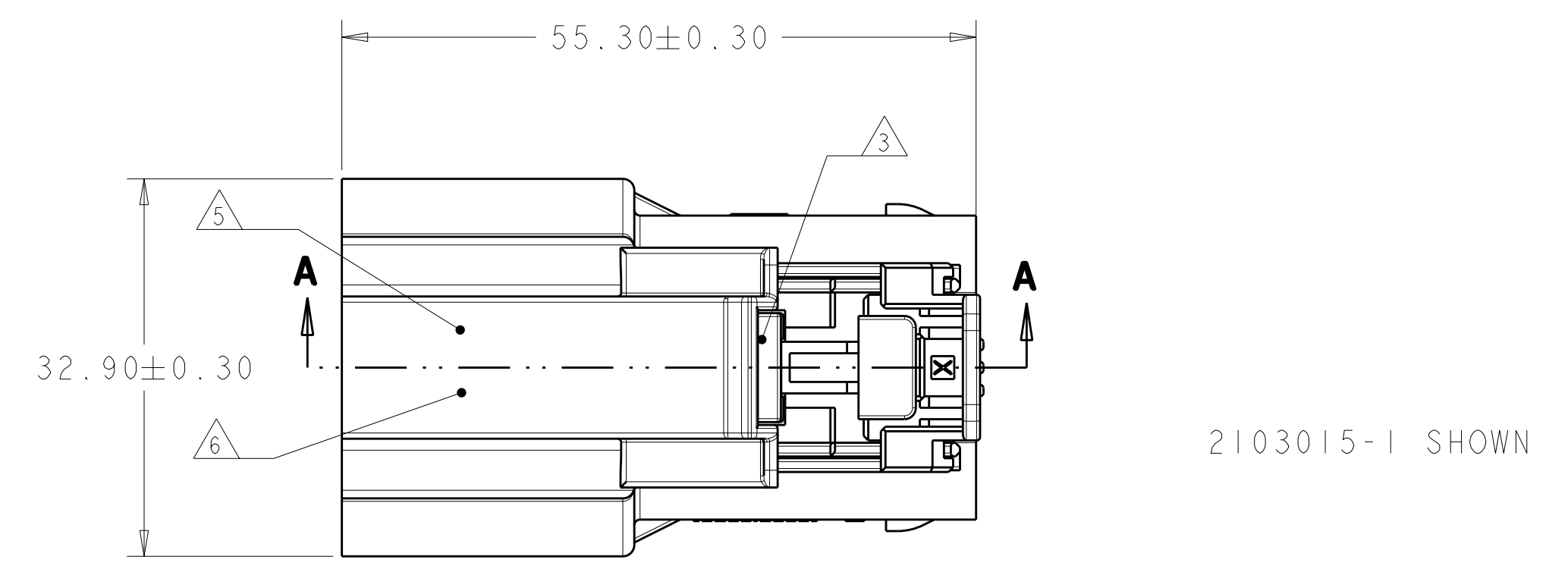
SECTION A-A



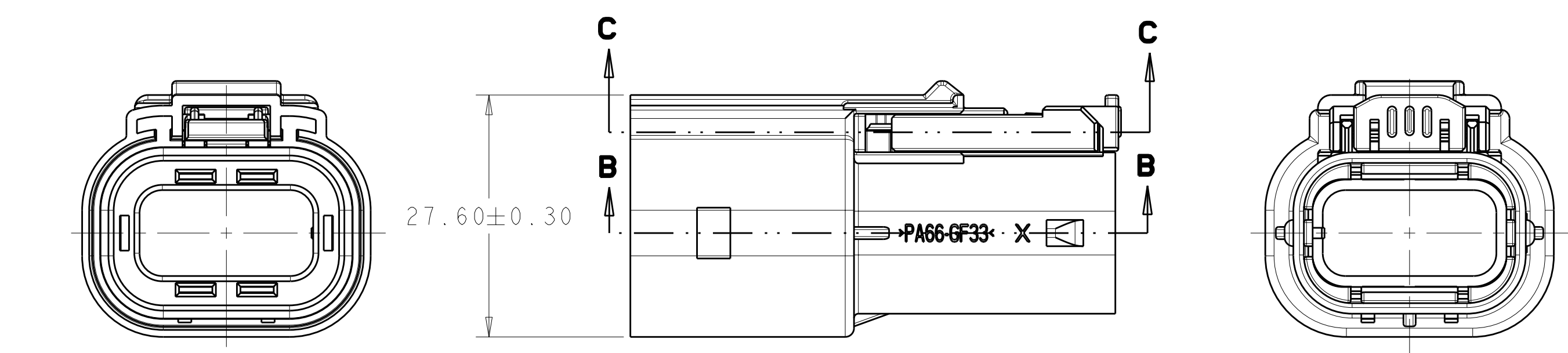
SECTION B-B



SECTION C-C



2103015-1 SHOWN



- CONNECTOR MUST BE FREE OF ANY MECHANICAL DEFECTS WHICH COULD NEGATIVELY AFFECT FIT, FUNCTION, OR PERFORMANCE
- PERIPHERAL SEAL RETAINER MUST BE FULLY LOCKED IN TWO LOCATIONS INTO OUTER HOUSING
- FLOATING LATCH MUST INSTALLED AS SHOWN
- ON APPLICABLE ASSEMBLIES CPA MUST INSTALLED IN PRE-STAGE POSITION AS SHOWN
- JULIAN DATE CODE IN THIS LOCATION AT ASSEMBLY
- TE PART NUMBER IN THIS LOCATION AT ASSEMBLY
- PRELIMINARY PART—NOT RELEASED FOR PRODUCTION

DESCRIPTION	INDEX CODE	REV	PART NO
PLUG SUB-ASSEMBLY, HVA280-2PHM, FINGER ACCESSIBLE, WITHOUT CPA, >FVMQ< SEAL	F	4	7-2103015-6
	E	4	7-2103015-5
	D	4	7-2103015-4
	B	4	7-2103015-2
	A	4	7-2103015-1
PLUG SUB-ASSEMBLY, HVA280-2PHM, FINGER ACCESSIBLE, WITH CPA, >FVMQ< SEAL	F	4	6-2103015-6
	E	4	6-2103015-5
	D	4	6-2103015-4
	B	4	6-2103015-2
	A	4	6-2103015-1
PLUG SUB-ASSEMBLY, HVA280-2PHM, FINGER ACCESSIBLE, WITHOUT CPA, >VMQ< SEAL	F	4	5-2103015-6
	E	4	5-2103015-5
	D	4	5-2103015-4
	B	4	5-2103015-2
	A	4	5-2103015-1
PLUG SUB-ASSEMBLY, HVA280-2PHM, FINGER ACCESSIBLE, WITH CPA, >VMQ< SEAL	F	A	4-2103015-6
	E	A	4-2103015-5
	D	A	4-2103015-4
	B	A	4-2103015-2
	A	A	4-2103015-1
PLUG SUB-ASSEMBLY, HVA280-2PHM, TOOL ACCESSIBLE, WITHOUT CPA, >FVMQ< SEAL	F	4	3-2103015-6
	E	4	3-2103015-5
	D	4	3-2103015-4
	B	4	3-2103015-2
	A	4	3-2103015-1
PLUG SUB-ASSEMBLY, HVA280-2PHM, TOOL ACCESSIBLE, WITH CPA, >FVMQ< SEAL	F	4	2-2103015-6
	E	4	2-2103015-5
	D	4	2-2103015-4
	B	4	2-2103015-2
	A	4	2-2103015-1
PLUG SUB-ASSEMBLY, HVA280-2PHM, TOOL ACCESSIBLE, WITHOUT CPA, >VMQ< SEAL	F	4	1-2103015-6
	E	4	1-2103015-5
	D	4	1-2103015-4
	B	4	1-2103015-2
	A	4	1-2103015-1
PLUG SUB-ASSEMBLY, HVA280-2PHM, TOOL ACCESSIBLE, WITH CPA, >VMQ< SEAL	F	4	2103015-6
	E	4	2103015-5
	D	4	2103015-4
	B	4	2103015-2
	A	4	2103015-1

THIS DRAWING IS A CONTROLLED DOCUMENT.		DRN	D. RHEIN	22MAR2011
DIMENSIONS:		CHK	D. RHEIN	22MAR2011
mm	9 PLC ±0.2	APVD	ROLEWITZ	22MAR2011
	1 PLC ±0.10	NAME		
	5 PLC ±	PRODUCT SPEC		
	4 PLC ±	APPLICATION SPEC		
	ANGLES ±	SIZE CAGE CODE DRAWING NO		
MATERIAL SEE TABLE	FINISH	WEIGHT	15.7 g	A100779C=2103015
CUSTOMER DRAWING		SCALE	2:1	SHEET 1 OF 1 REV A

Mouser Electronics

Authorized Distributor

Click to View Pricing, Inventory, Delivery & Lifecycle Information:

[TE Connectivity:](#)

[4-2103015-2](#)