



PART NAME

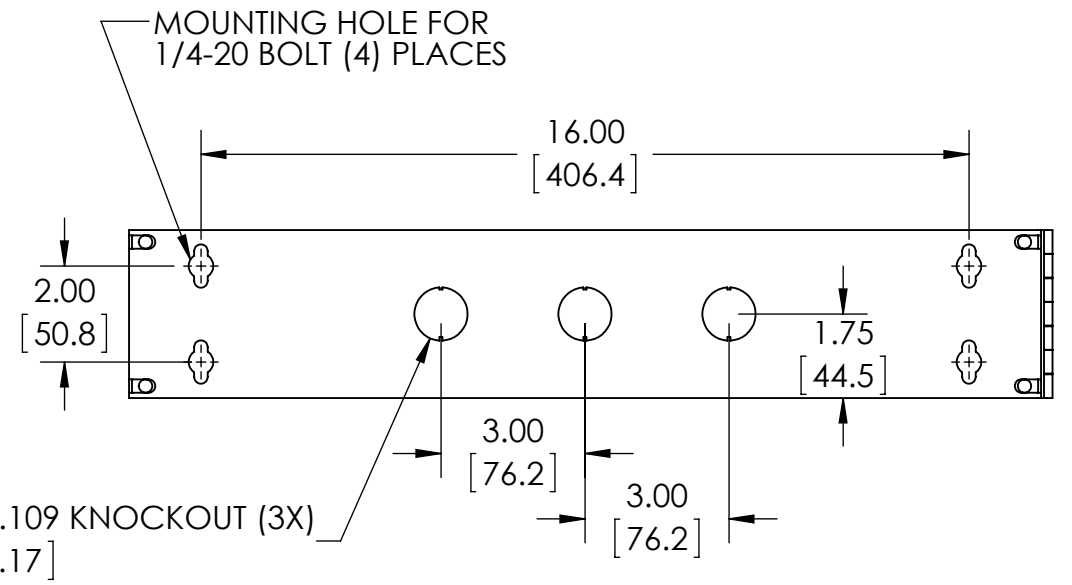
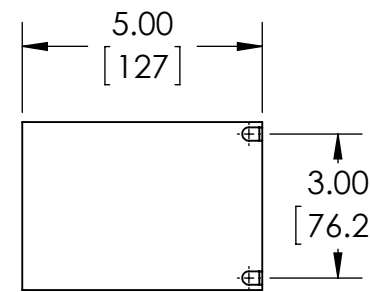
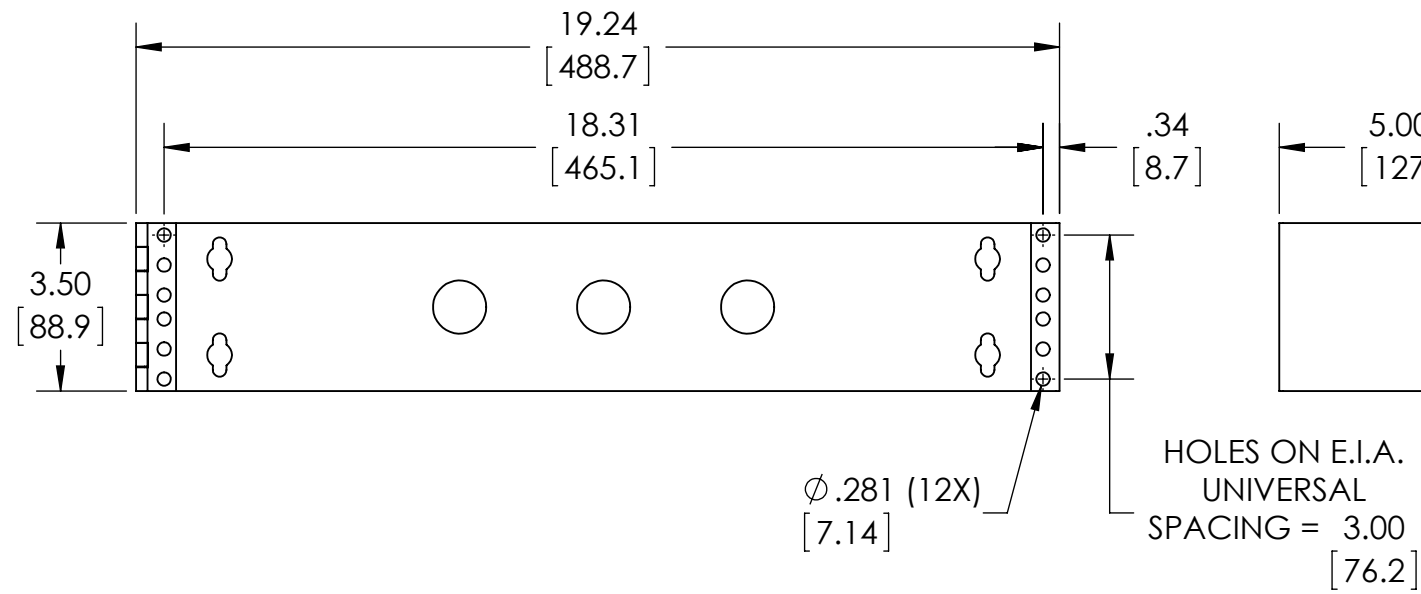
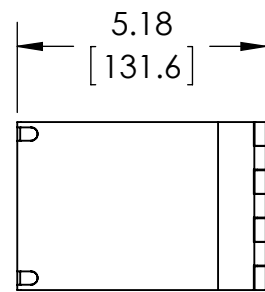
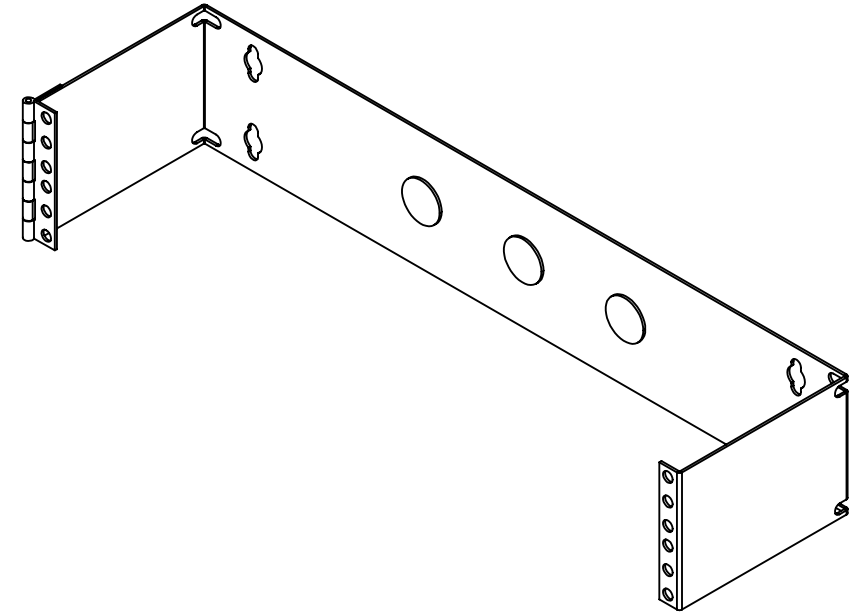
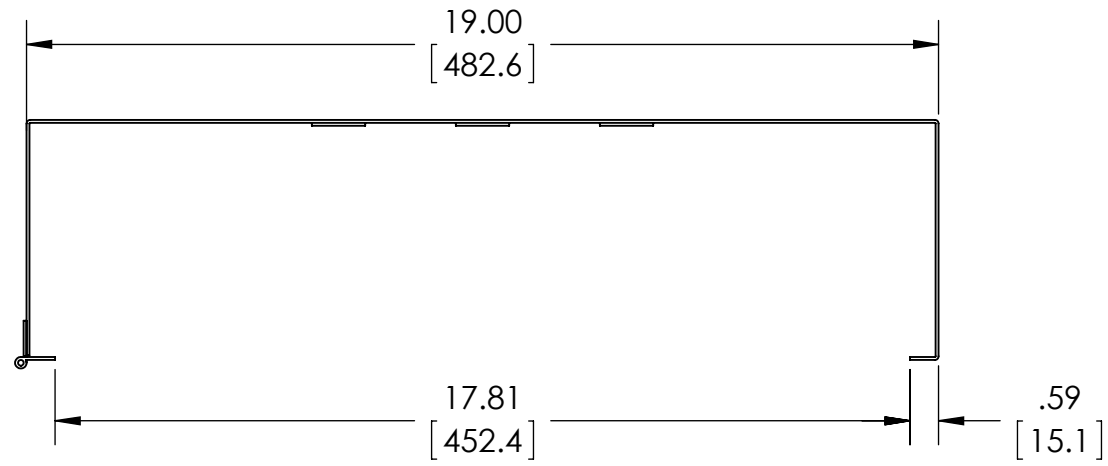
HINGED WALL MOUNT BRACKET

PART No.

HWB-1790

REVISION DATE

7-3-13



MATERIAL: 16 GA. [1.5mm] STEEL
 FINISH: BLACK TEXTURE

Mouser Electronics

Authorized Distributor

Click to View Pricing, Inventory, Delivery & Lifecycle Information:

[Bud Industries:](#)

[HWB-1790](#)