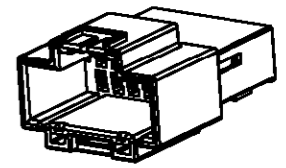
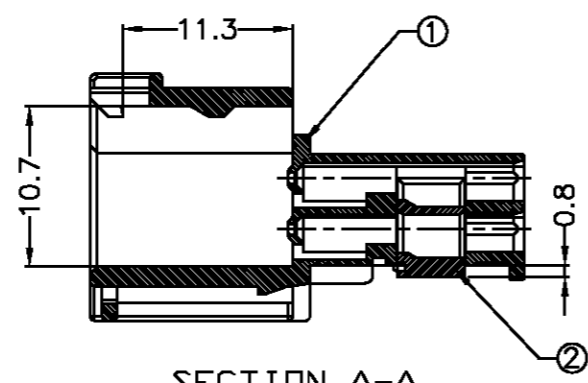
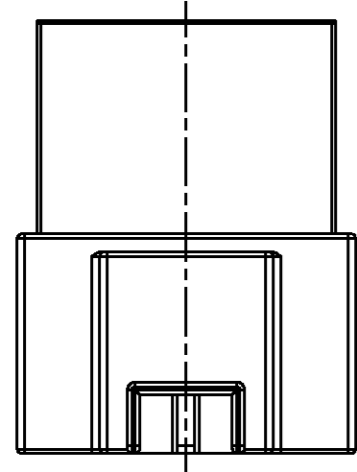


LDC	DIST	REVISIONS					
		P	LTR	DESCRIPTION	DATE	DWN	APVD
DS		0		RELEASED(KFC00-0050-02)	28, MAR, '02	HS	CS



3D VIEW
(SCALE 1/1)

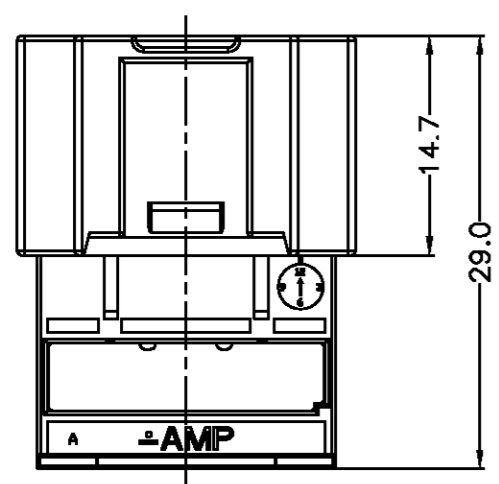
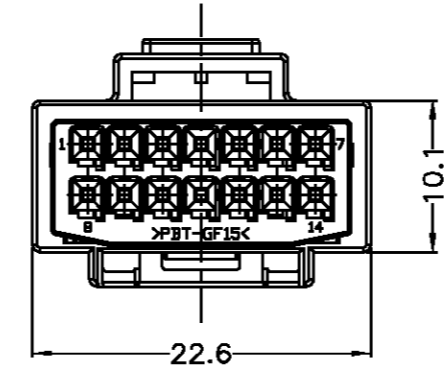
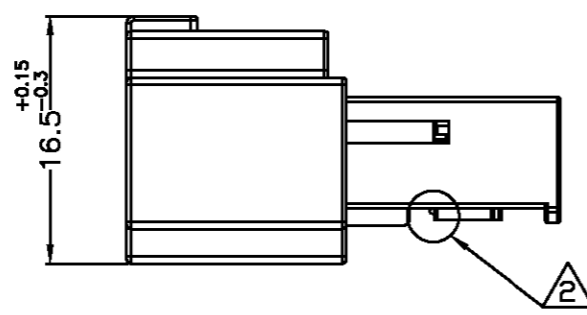
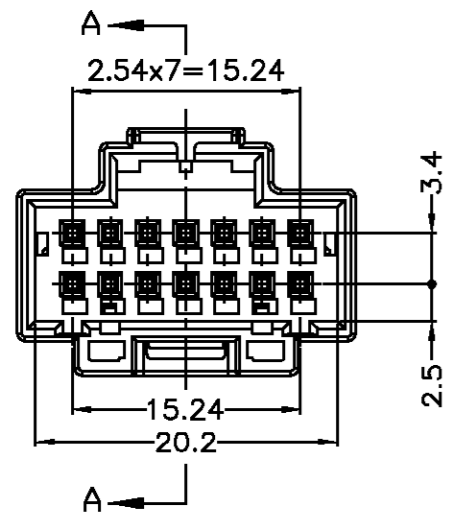
NOTES

- GENERAL TOLERANCE IS ± 0.3
- CONDITION OF DELIVERY : DBL IN 1ST LOCKING POSITION
- APPLIED CLIP HSG:

Part NO.	PANEL THICKNESS	PANEL HOLE SIZE
368165	0.7~1.6mm	
368373	0.5~2.0mm	

- APPLIED PLUG ASS'Y P/N: 936124
- APPLIED TAB CONTACT P/N:

Part NO.	928918	963716
WIRE SIZE(mm ²)	0.25~0.5	0.75



1	1	936128-1	DBL HSG	PBT GF15	WHITE	2
1		936127-2	CAP HSG	PBT GF15	YELLOW	1
	1	936127-1	CAP HSG	PBT GF15	BLACK	1
Q' TY		P/N	DESCRIPTION	MATERIAL	COLOR	NO

0-936126-2	0-936126-1	THIS DRAWING IS A CONTROLLED DOCUMENT FOR TYCO ELECTRONICS CORPORATION. IT IS SUBJECT TO CHANGE AND THE CONTROLLING ENGINEERING ORGANIZATION SHOULD BE CONTACTED FOR THE LATEST REVISION.		DWN : HS BAE	 AMP KOREA, kyungsan, korea
		DIMENSIONS: mm		CHK : BM JANG	
		TOLERANCES UNLESS OTHERWISE SPECIFIED		APVD : CS LEE	
		0 PLC ± 1 PLC ± 2 PLC ± 3 PLC ± 4 PLC ± ANGLES ±		PRODUCT SPEC -----	
3rd ANGLE PROJECTION		APPLICATION SPEC -----	NAME		
MATERIAL		WEIGHT -----	SIZE		
SEE TABLE			CAGE CODE		
			DRAWING NO		
			RESTRICTED TO		
			A3 00779C = 936126		

Mouser Electronics

Authorized Distributor

Click to View Pricing, Inventory, Delivery & Lifecycle Information:

[TE Connectivity:](#)

[936126-1](#)