

MATERIALS AND FINISHES

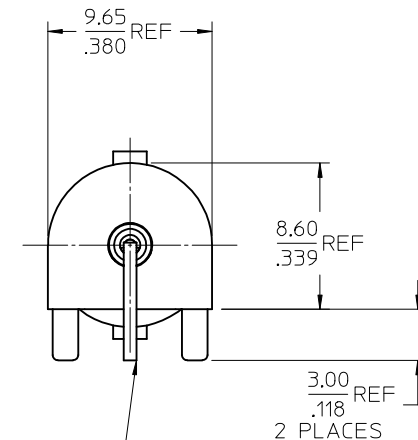
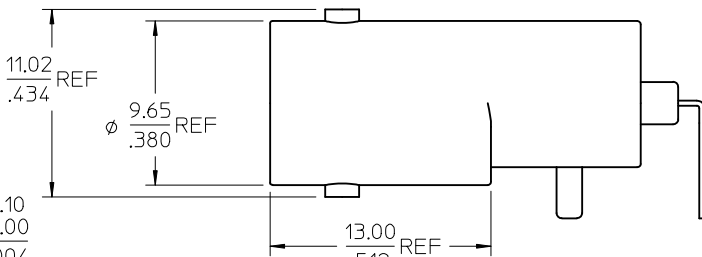
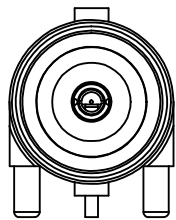
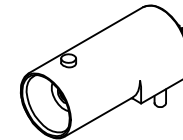
BODY ZINC ALLOY  
PLATED NICKEL

CENTER CONTACT PHOSPHOR BRONZE  
PLATED GOLD/TIN

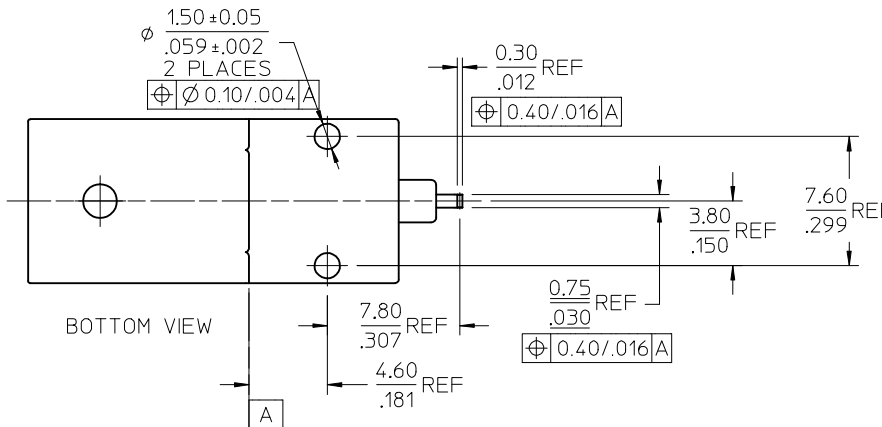
INSULATOR POLYPROPYLENE

BNC JACK  
INTERFACE

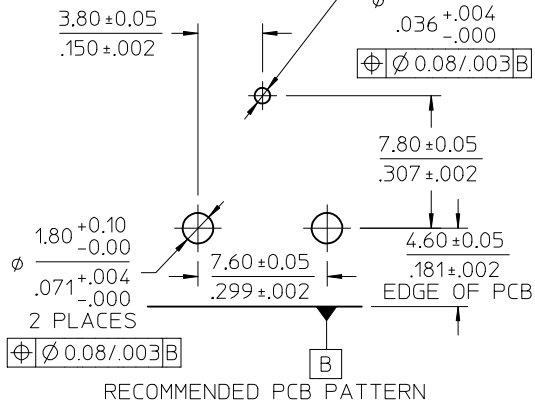
TOP VIEW



THIS LEAD IS FORMED TO FIT  
RECOMMENDED PCB PATTERN  
DURING INSTALLATION



BOTTOM VIEW



PS-73598-0050	PRODUCT SPECIFICATION
SPECIFICATION	DESCRIPTION

73171-3150	73100-0105, ONE PER BAG
73100-0105	BULK
PART NO.	PACKAGING

CHG: REDREW IN SD ADDED P/N 73100-0105	EC NO: URF2007-0396	DATE: 2007/05/01
	DRWIN: LAHERY	DATE: 2007/05/01
CHKD: SHAH	DATE: 2007/05/01	
APPR: WENER	DATE: 2007/05/01	
REV: C2	DESCRIPTION:	

QUALITY SYMBOLS	▽=0	▽=0
GENERAL TOLERANCES (UNLESS SPECIFIED)	mm	INCH
4 PLACES	± .005	± .0005
3 PLACES	± .002	± .0002
2 PLACES	± .001	± .0001
1 PLACE	± .0005	± .00005
ANGULAR	± 2°	

DIMENSION STYLE	MM/IN	SCALE	DESIGN UNITS	THIRD ANGLE PROJECTION
DRAWN BY	DATE	TITLE		
THOMPSON TSA	1994/09/15	BNC JACK, R/A, RECEPTACLE		
CHECKED BY	DATE	50 OHMS		
A CHANG	1994/09/15	BNC-J/RA/PCB		
APPROVED BY	DATE			
A CHANG	1994/09/15			
MATERIAL NO.	DOCUMENT NO.	MOLEX INCORPORATED		SHEET NO.
SEE TABLE	SD-73100-0105			1 OF 1
DRAFT WHERE APPLICABLE MUST REMAIN WITHIN DIMENSIONS				
THIS DRAWING CONTAINS INFORMATION THAT IS PROPRIETARY TO MOLEX INCORPORATED AND SHOULD NOT BE USED WITHOUT WRITTEN PERMISSION				