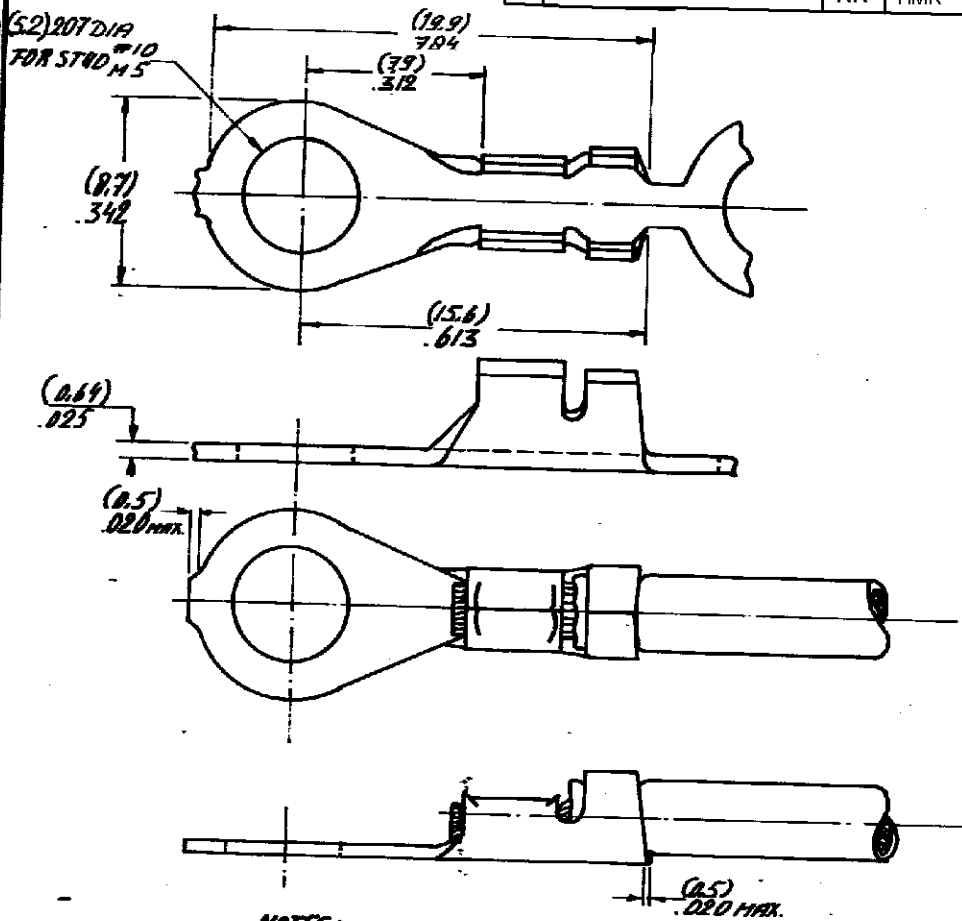


DRAWING MADE IN AMERICAN PROJECTION

LTR.	REVISION RECORD	DR.	CHK.	DATE
D2	ECR-10-022530	KK	HMR	02FEB11

160102



NOTES:

- 4 OBSOLETE PARTS: OBSOLETE CIS STREAMLINING PER D.RENAUD/D.SINISI
- 1 FOR USE ON MINIATURE APPLICATORS (LEFT-RIGHT FEED) AMP. & MOTOR APPLICATION
- 2 FOR USE ON STANDARD AND MINIATURE APPLICATORS
- 3 REELED WITH PAPER COVER
- 5 OBSOLETE

DIMENSIONS IN () DO NOT SCALE PRINT

160102-6	PHOSPH. BRONZE	-H	2	3
160102-5	BRASS	-H	2	3
160102-4	BRASS	-H	2	3
160102-3	PHOSPH. BR.	-H	2	3
160102-2	BRASS	TIN	2	3
160102-1	BRASS	-H	2	3

CUSTOMER COPY FOR REFERENCE ONLY

©1990 BY TE-HOLLAND N.V. ALL RIGHTS RESERVED TE PRODUCTS COVERED BY PATENTS AND/OR PATENTS PENDING.



TE Connectivity

ORDER NO.	MATERIAL	PLATING
DATE	DATE	DATE
DATE	DATE	DATE

SCALE	SIZE	NO	FIRST USED
N.T.S.	A	C-160102	

RING TONGUE WITH INS. SUPPORT

Mouser Electronics

Authorized Distributor

Click to View Pricing, Inventory, Delivery & Lifecycle Information:

[TE Connectivity:](#)

[160102-1](#) [160102-1 \(Mouser Reel\)](#)