

4

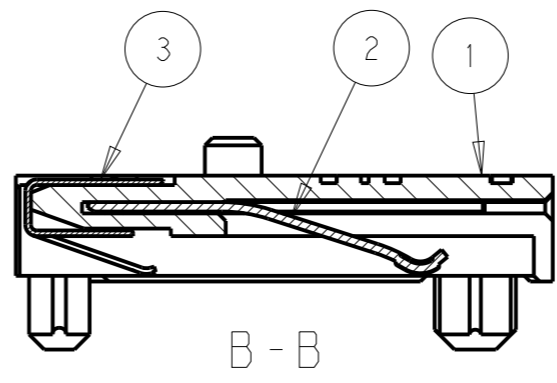
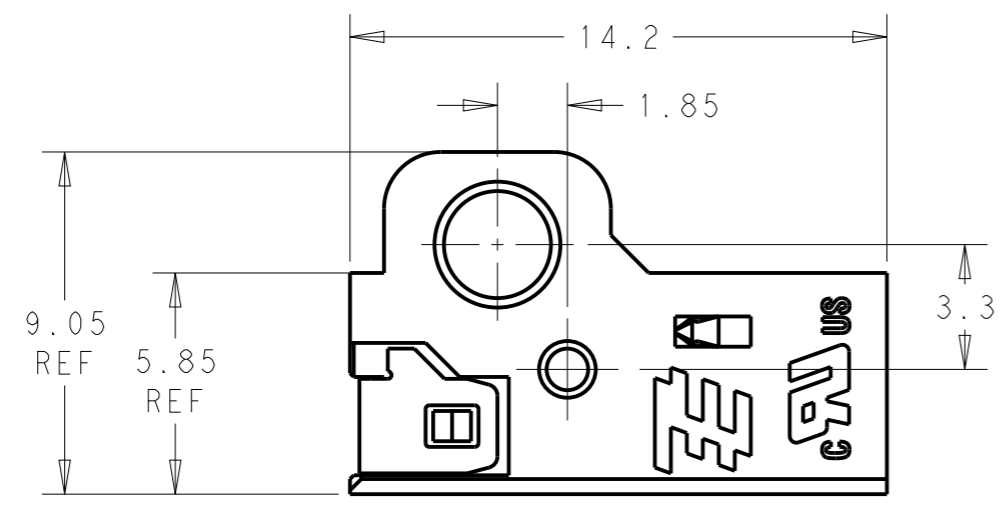
3

2

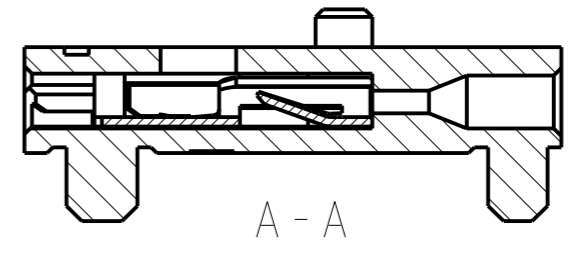
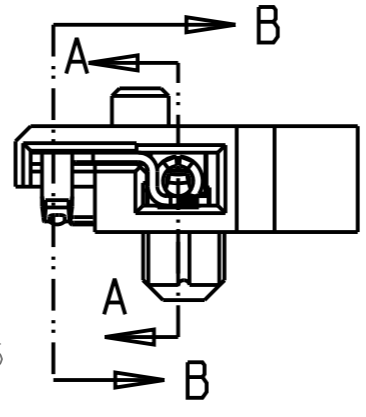
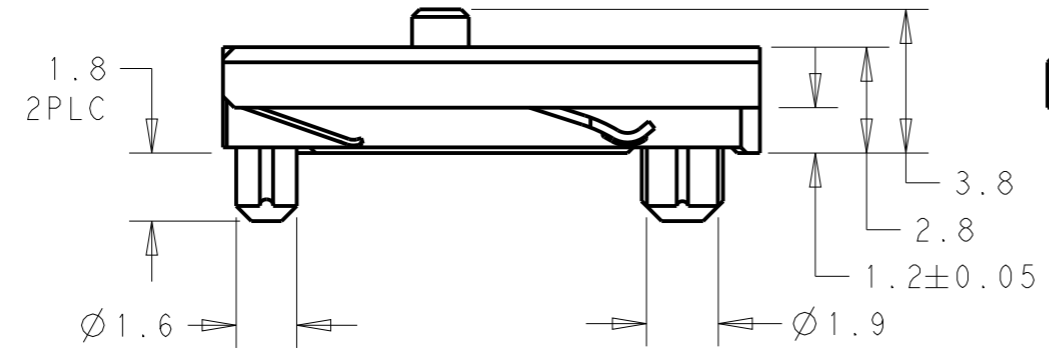
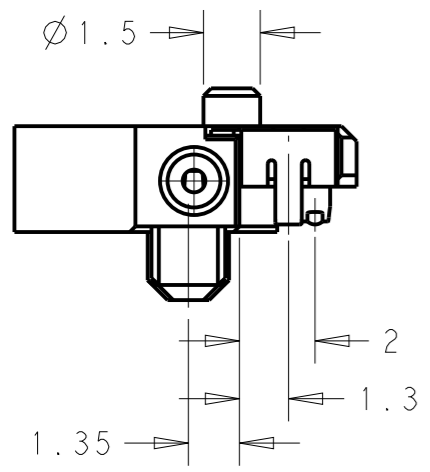
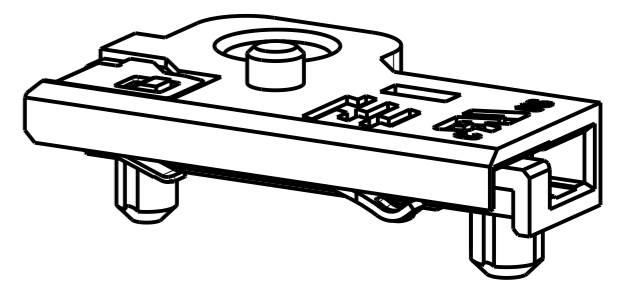
1

THIS DRAWING IS UNPUBLISHED. RELEASED FOR PUBLICATION 20
 © COPYRIGHT 20 BY - ALL RIGHTS RESERVED.

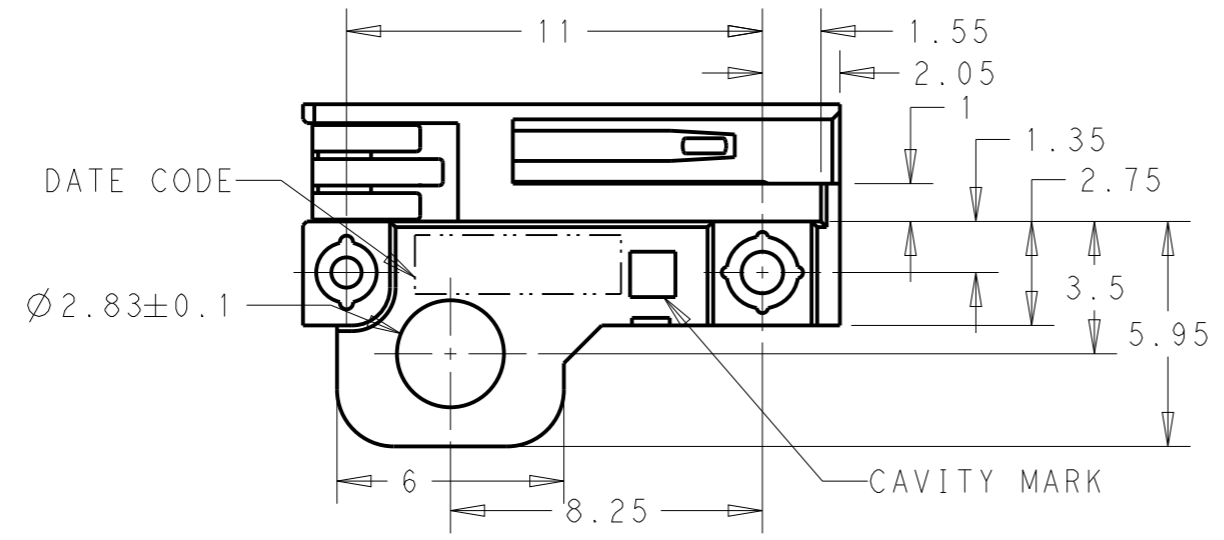
LOC	DIST	REVISIONS			
P	LTR	DESCRIPTION	DATE	DWN	APVD
J	-	C	REVISED PER ECO-13-011400	15JUL2013	KH PO
		D	REVISED(ECR-14-000923)	22JAN2014	T.N N.Y



2134318-1:AS SHOWN



← WIRE INSERTION DIRECTION



STAINLESS STEEL	SPRING PLATE	③
COPPER ALLOY LED MODULE CONTACT AREA : GOLD PLATED ALL OVER UNDER NICKEL PLATED	CONTACT	②
LCP	HOUSING	①
MATERIAL & FINISH	NAME	ITEM

- 1. APPLICABLE WIRES : AWG24 SOLID (Sn COATING)
INSULATION DIAMETER : Ø1.35MAX
- 2. APPLICABLE SCREW : M2.6
- 3. SCREW TIGHTENING TORQUE : 18cN·m MAX
- 4. ABOUT HOUSING VISUAL STANDARD : TO CONFORM TYCO ELECTRONICS CORPORATION INTERNAL RULE.

THIS DRAWING IS A CONTROLLED DOCUMENT.

DIMENSIONS:	TOLERANCES UNLESS OTHERWISE SPECIFIED:
mm	±0.15
	Ø PLC ±
	1 PLC ±0.5
	2 PLC ±0.13
	3 PLC ±0.013
	4 PLC ±0.0001
	ANGLES ±2
MATERIAL	FINISH
SEE TABLE	-

DWN	11JUL2013	STE TE Connectivity
CHK	KIRAN HOLAL	
CHK	OTT PETER	
APVD	OTT PETER	
NAME	LUMAWISE LED HOLDER TYPE LUMIPACK N1	
PRODUCT SPEC	SIZE	A3
APPLICATION SPEC	CAGE CODE	00779
WEIGHT	DRAWING NO	C-2134318
Customer Drawing	SCALE	5:1
	SHEET	1 OF 2
	REV	D

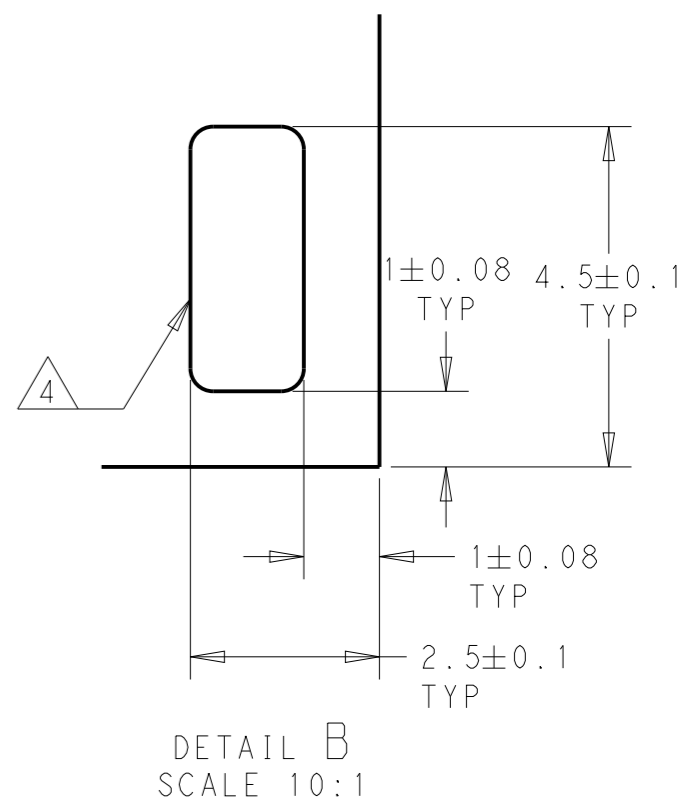
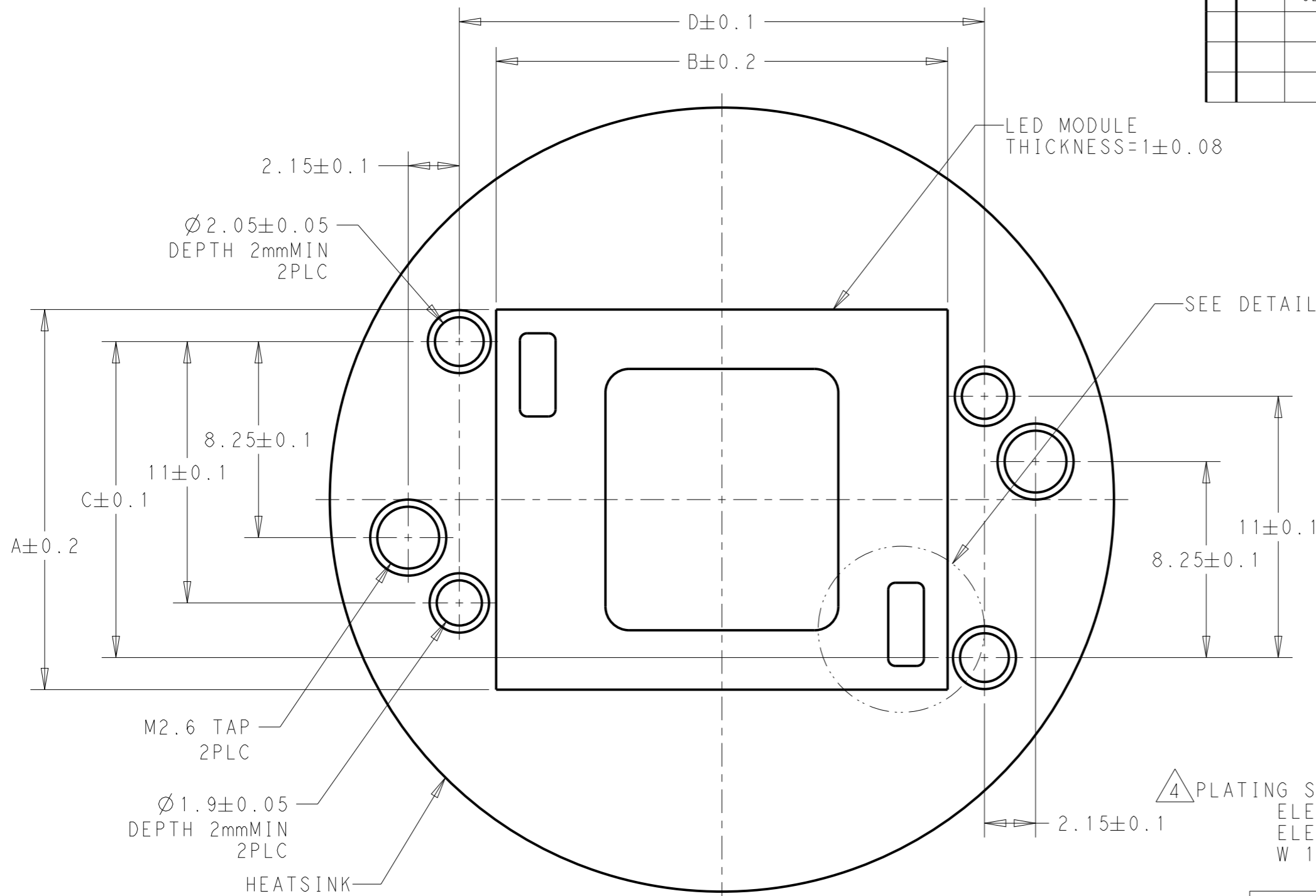
THIS DRAWING IS UNPUBLISHED.

RELEASED FOR PUBLICATION

20

© COPYRIGHT 20 BY - ALL RIGHTS RESERVED.

LOC	DIST	REVISIONS			
P	LTR	DESCRIPTION	DATE	DWN	APVD
J	-	SEE SHEET 1	-	-	-



4 PLATING SPEC
 ELECTROLESS Au PLATING 0.5µmMIN
 ELECTROLESS Ni PLATING 5µm (UNDER PLATING)
 W 10µm (UNDER PLATING)

LED MODULE & HEATSINK RECOMMEND DIMENSION

22.1	13.3	19	16	1619 TYPE
18.1	9.3	15	12	1215 TYPE
D	C	B	A	LED MODULE TYPE

THIS DRAWING IS A CONTROLLED DOCUMENT.		DWN		TE Connectivity	
DIMENSIONS: mm		CHK			
TOLERANCES UNLESS OTHERWISE SPECIFIED: ±0.15		APVD		NAME LUMAWISE LED HOLDER TYPE LUMIPACK N1	
0 PLC ± 1 PLC ±0.5 2 PLC ±0.13 3 PLC ±0.013 4 PLC ±0.0001 ANGLES ±2°		PRODUCT SPEC		SIZE	
MATERIAL SEE TABLE		APPLICATION SPEC		CAGE CODE	
FINISH -		WEIGHT -		DRAWING NO	
		Customer Drawing		A300779 C-2134318	
		SCALE 5:1		RESTRICTED TO	
		SHEET 2 OF 2		REV D	

Mouser Electronics

Authorized Distributor

Click to View Pricing, Inventory, Delivery & Lifecycle Information:

[TE Connectivity:](#)

[2134318-1](#)