



# FTR-C2 SERIES

## ■ SPECIFICATION

Item			Standard type	Latching type
			FTR-C2 ( ) A	FTR-C2 ( ) B
Contact Data	Configuration		2 form C	
	Construction		Bifurcated contacts	
	Material		Gold overlay silver palladium (stationary contact) Silver palladium (movable contact)	
	Resistance (initial)		Max. 150 mΩ at 1 A, 6 VDC	
	Contact rating (resistive)		0.3A, 125VAC / 1A, 30VDC	
	Max. carrying current		2A	
	Max. switching voltage		250 VAC / 220VDC	
	Max. switching power		62.5VA / 30W	
	Min. switching load *		0.01A, 10mVDC	
Life	Mechanical		Min. 10 x 10 <sup>6</sup> operations (at 10 Hz)	
	Electrical	DC contact rating	Min. 100 x 10 <sup>3</sup> operations	
		AC contact rating	Min. 100 x 10 <sup>3</sup> operations	
Coil Data	Rated Power		300 mW	150 mW
	Operate Power		169 mW	85 mW
	Operating temperature range		-40 °C to +85 °C (no frost)	
Timing Data	Operate (at nominal voltage)		Max. 15 ms (without bounce)	
	Release (at nominal voltage)		Max. 15 ms (no diode, without bounce)	
Insulation	Resistance (initial)		Min. 1,000MΩ at 500VDC	
	Dielectric strength	Open contacts	1,500VAC (50/60Hz) 1min	
		Adjacent contacts	1,500VAC (50/60Hz) 1min	
		Contacts to coil	2,000VAC (50/60Hz) 1min	
	Surge strength	Coil to contacts	2,500V/ 2 x 10μs standard wave	
	Clearance	Adjacent contacts	2.0 mm	
		Open contacts	2.0 mm	
		Coil and contacts	2.0 mm	
	Creepage	Adjacent contacts	2.0 mm	
Open contacts		2.0 mm		
Coil and contacts		2.5 mm		
Other	Vibration resistance	Misoperation	10 to 55Hz double amplitude 3.3mm	
		Endurance	10 to 55Hz double amplitude 5.0mm	
	Shock	Misoperation	300m/s <sup>2</sup>	
		Endurance	1,000m/s <sup>2</sup>	
	Weight	Approximately 3.7g		
	Sealing	RT III (plastic sealed)		

\* Minimum switching loads mentioned above are reference values. Please perform the confirmation test with actual load before production since reference values may vary according to switching frequencies, environmental conditions and expected reliability levels.

## ■ COIL RATING

Standard type

Coil Code	Rated Coil Voltage (VDC)	Coil Resistance +/- 10% (Ohm)	Must Operate Voltage (VDC) *	Must Release Voltage (VDC) *	Max. Coil Voltage (VDC)	Rated Power (mW)
003	3	30	2.25	0.3	7.2	300
005	5	83.3	3.75	0.5	12	
012	12	480	9	1.2	28.8	
024	24	1,920	18	2.4	57.6	

Latching type (1 coil)

Coil Code	Rated Coil Voltage (VDC)	Coil Resistance +/- 10% (Ohm)	Set voltage (VDC) *	Reset voltage (VDC) *	Max. Coil Voltage (VDC)	Rated Power (mW)
003	3	60	+2.25	-2.25	7.2	150
005	5	167	+3.75	-3.75	12	
012	12	960	+9	-9	28.8	
024	24	3,840	+18	-18	57.6	

Note: All values in the tables are valid for 20°C and zero contact current.

\* Specified operate values are valid for pulse wave voltage.

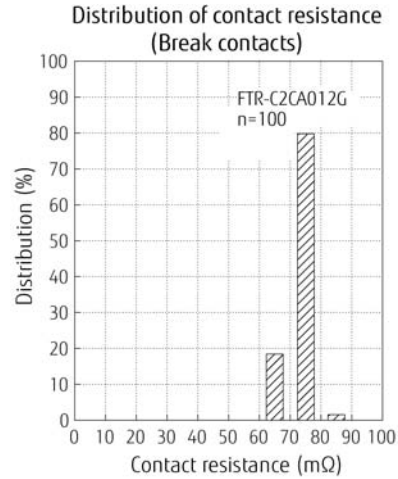
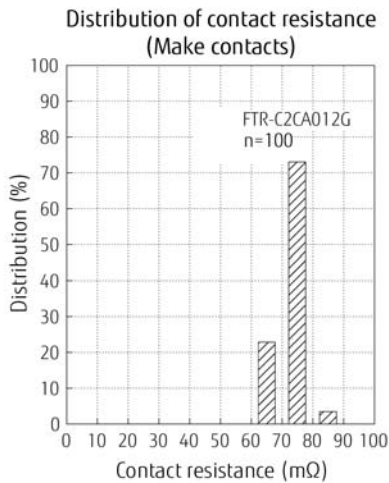
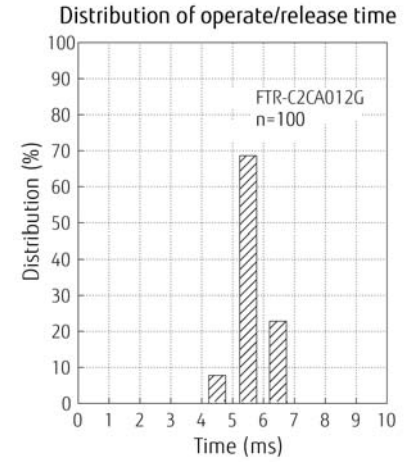
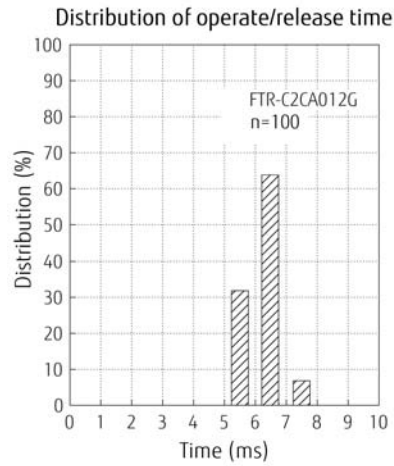
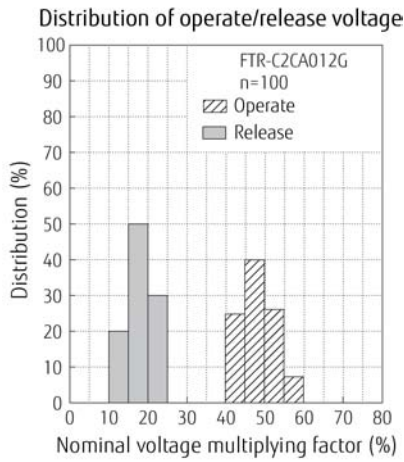
## ■ SAFETY STANDARDS

Type	Compliance	Contact rating
UL	UL 508	Flammability: UL 94-V0 (plastics)
	E 63615	0.3A, 125VAC (resistive) 1A, 30VDC
CSA	C22.2 No. 14 LR 40304	2A, 30VDC 0.3A, 110VDC

Comply with Telcordia specifications and meet BSI, IEC 60950-1:2006

Marking only for UL, CSA

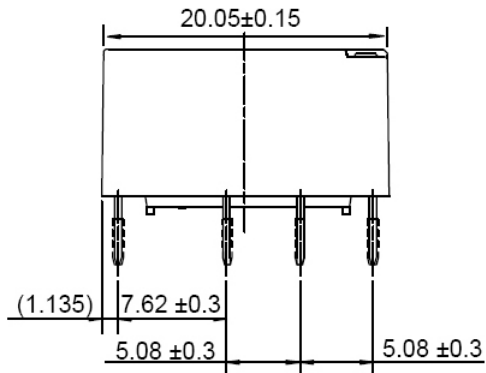
## CHARACTERISTIC DATA



## ■ DIMENSIONS

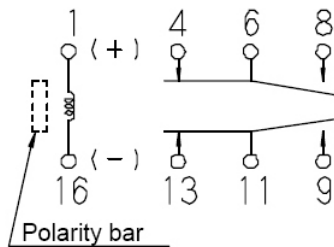
Through hole type

### ● Dimensions

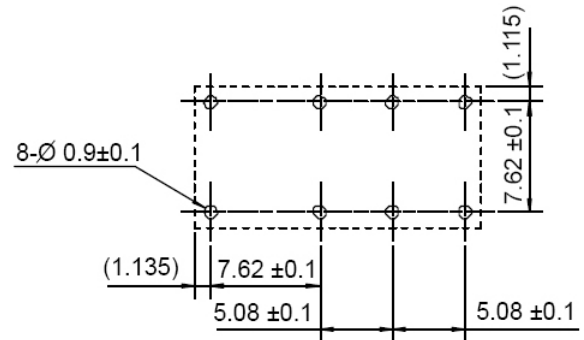


### ● Terminal designations

(Bottom view de-energized position)

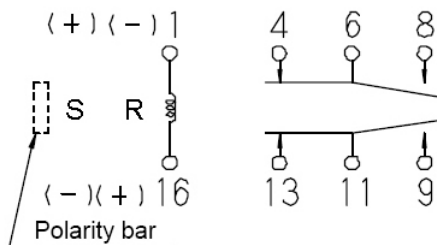


### ● Recommended mounting pad



Single Coil Latching type  
(Bottom view reset position)

Unit: mm

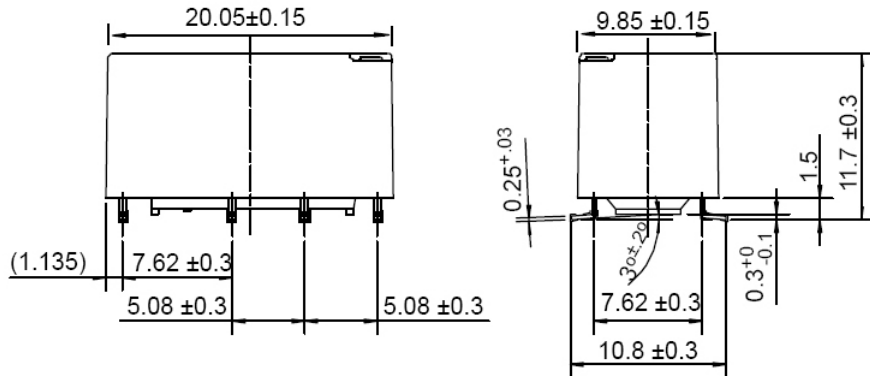


S shows the polarity of set position  
R shows the polarity of reset position

# FTR-C2 SERIES

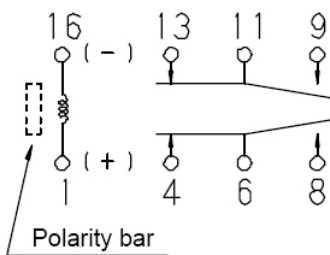
Surface mount type

- **Dimensions**

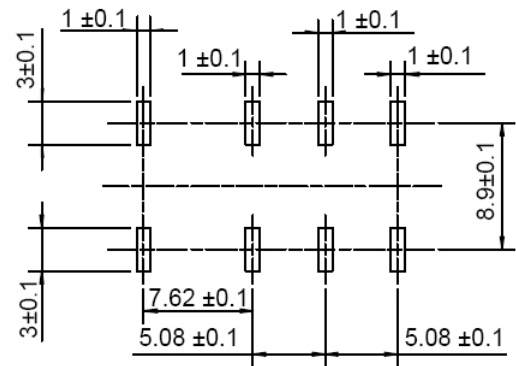


- **Terminal designations**

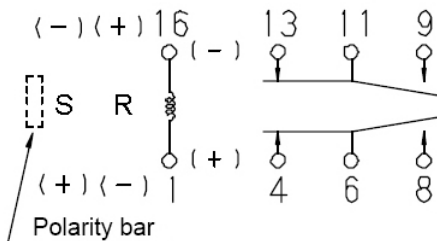
(Top view de-energized position)



- **Recommended mounting pad**



Single Coil Latching type  
(Top view reset position)



Unit: mm

S shows the polarity of set position  
R shows the polarity of reset position

## RoHS Compliance and Lead Free Information

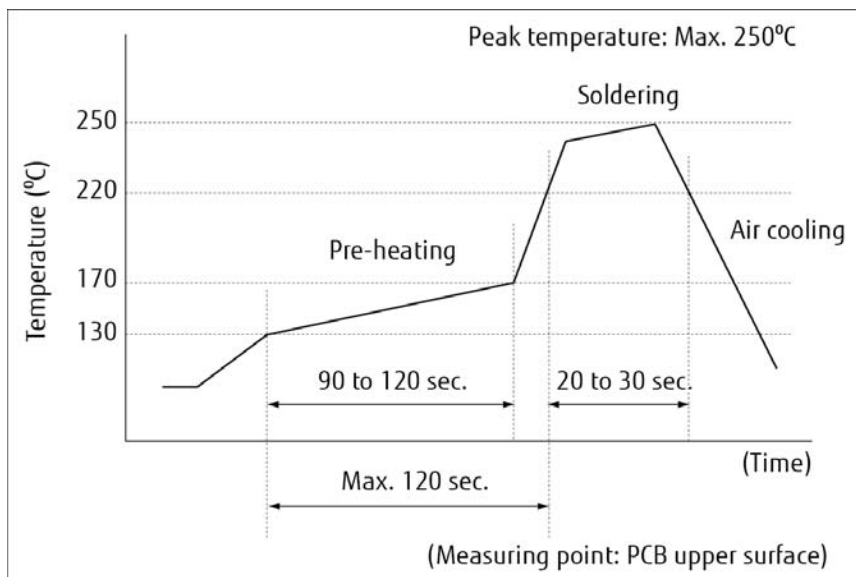
### 1. General Information

- All relays produced by Fujitsu Components are compliant with RoHS directive 2011/65/EU including amendments.
- Cadmium as used in electrical contacts is exempted from the RoHS directives. As per Annex III of directive 2011/65/EU.
- All relays are lead-free. Please refer to Lead-Free Status Info for older date codes at: <http://www.fujitsu.com/downloads/MICRO/fcai/relays/lead-free-letter.pdf>
- Lead free solder plating on relay terminals is Sn-3.0Ag-0.5Cu, unless otherwise specified. This material has been verified to be compatible with PbSn assembly process.

### 2. Recommended Lead Free Solder Condition

- Recommended solder Sn-3.0Ag-0.5Cu.

Reflow Solder condition for SMT



#### Flow Solder Condition:

Pre-heating: maximum 120°C within 9 sec.  
Soldering: dip within 5 sec. at 255°C ± 5°C solder bath  
Relay must be cooled by air immediately after soldering

#### Solder by Soldering Iron:

Soldering Iron 30-60W  
Temperature: maximum 350-360°C  
Duration: maximum 3 sec.

#### REFLOW

Note:

1. Temperature profiles show the temperature of PC board surface.
2. Please perform soldering test with your actual PC board before mass production, since the temperatures of PC board surfaces can vary, depending on the size of PC board, status of parts mounting and heating method.

**We highly recommend that you confirm your actual solder conditions**

### 3. Moisture Sensitivity

- Moisture Sensitivity Level standard is not applicable to electromechanical relays, unless otherwise indicated.

### 4. Tin Whiskers

- Dipped SnAgCu solder is known as presenting a low risk to tin whisker development. No considerable length whisker was found by our in house test.

## Fujitsu Components International Headquarter Offices

### Japan

Fujitsu Component Limited  
Gotanda-Chuo Building  
3-5, Higashigotanda 2-chome, Shinagawa-ku  
Tokyo 141, Japan  
Tel: (81-3) 5449-7010  
Fax: (81-3) 5449-2626  
Email: [promothq@ft.ed.fujitsu.com](mailto:promothq@ft.ed.fujitsu.com)  
Web: [www.fcl.fujitsu.com](http://www.fcl.fujitsu.com)

### North and South America

Fujitsu Components America, Inc.  
250 E. Caribbean Drive  
Sunnyvale, CA 94089 U.S.A.  
Tel: (1-408) 745-4900  
Fax: (1-408) 745-4970  
Email: [components@us.fujitsu.com](mailto:components@us.fujitsu.com)  
Web: <http://us.fujitsu.com/components>

### Europe

Fujitsu Components Europe B.V.  
Diamantlaan 25  
2132 WV Hoofddorp  
Netherlands  
Tel: (31-23) 5560910  
Fax: (31-23) 5560950  
Email: [info@fceu.fujitsu.com](mailto:info@fceu.fujitsu.com)  
Web: [emea.fujitsu.com/components/](http://emea.fujitsu.com/components/)

### Asia Pacific

Fujitsu Components Asia Ltd.  
102E Pasir Panjang Road  
#01-01 Citilink Warehouse Complex  
Singapore 118529  
Tel: (65) 6375-8560  
Fax: (65) 6273-3021  
Email: [fcal@fcal.fujitsu.com](mailto:fcal@fcal.fujitsu.com)  
Web: <http://www.fujitsu.com/sg/services/micro/components/>

©2014 Fujitsu Components Europe B.V. All rights reserved. All trademarks or registered trademarks are the property of their respective owners.

The contents, data and information in this datasheet are provided by Fujitsu Component Ltd. as a service only to its user and only for general information purposes.

The use of the contents, data and information provided in this datasheet is at the users' own risk.

Fujitsu has assembled this datasheet with care and will endeavor to keep the contents, data and information correct, accurate, comprehensive, complete and up to date.

Fujitsu Components Europe B.V. and affiliated companies do however not accept any responsibility or liability on their behalf, nor on behalf of its employees, for any loss or damage, direct, indirect or consequential, with respect to this datasheet, its contents, data, and information and related graphics and the correctness, reliability, accuracy, comprehensiveness, usefulness, availability and completeness thereof.

Nor do Fujitsu Components Europe B.V. and affiliated companies accept on their behalf, nor on behalf of its employees, any responsibility or liability for any representation or warrant of any kind, express or implied, including warranties of any kind for merchantability or fitness for particular use, with respect to these datasheets, its contents, data, information and related graphics and the correctness, reliability, accuracy, comprehensiveness, usefulness, availability and completeness thereof. Rev. June 26, 2014



# Mouser Electronics

Authorized Distributor

Click to View Pricing, Inventory, Delivery & Lifecycle Information:

## Fujitsu:

[FTR-C2GB012G-B05](#) [FTR-C2GB024G-B05](#) [FTR-C2GA003G-B05](#) [FTR-C2CB003G](#) [FTR-C2CB005G](#) [FTR-C2CA005G](#) [FTR-C2CB024G](#) [FTR-C2CB012G](#) [FTR-C2CA012G](#) [FTR-C2GA024G](#) [FTR-C2GA003G](#) [FTR-C2GA005G](#) [FTR-C2GB005G-B05](#) [FTR-C2GB012G](#) [FTR-C2GB024G](#) [FTR-C2GA024G-B05](#) [FTR-C2GA005G-B05](#) [FTR-C2GB003G-B05](#) [FTR-C2GA012G](#) [FTR-C2GA012G-B05](#) [FTR-C2CA024G](#) [FTR-C2CA003G](#) [FTR-C2GB005G](#) [FTR-C2GB003G](#)