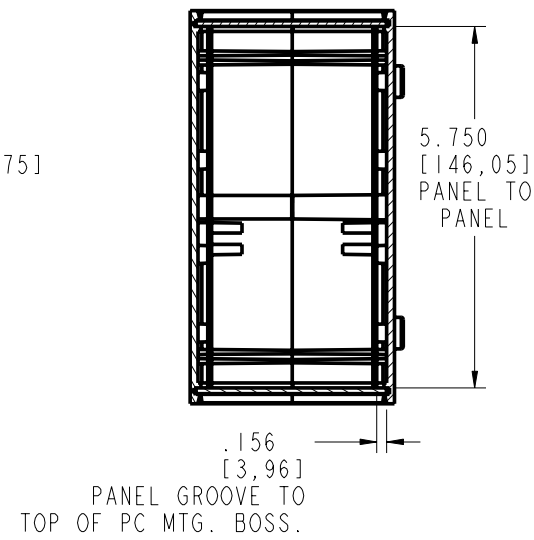
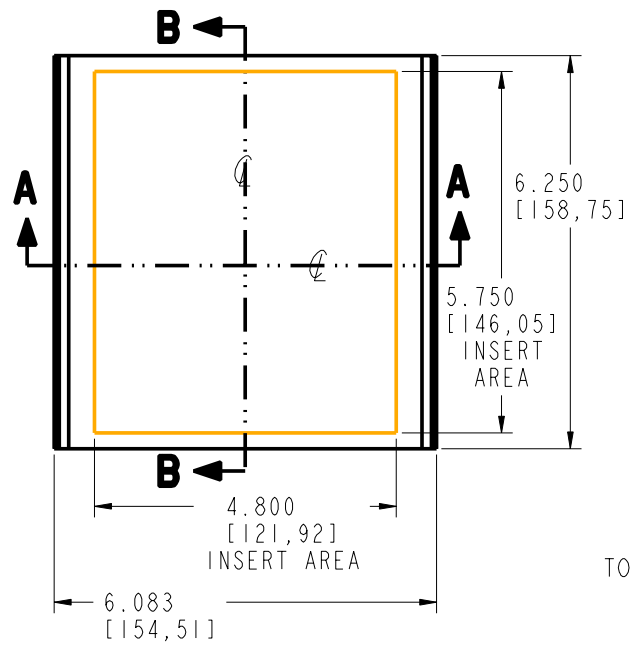
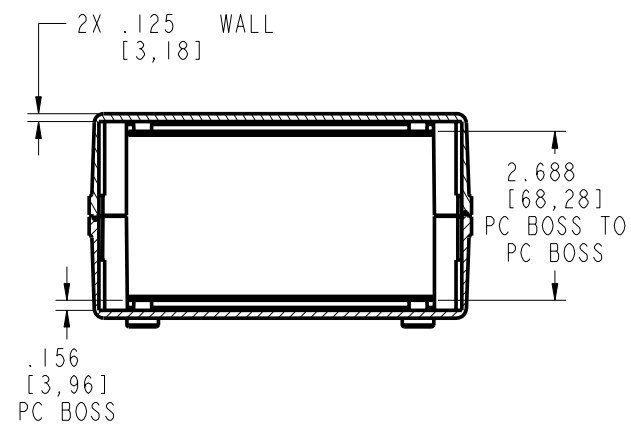
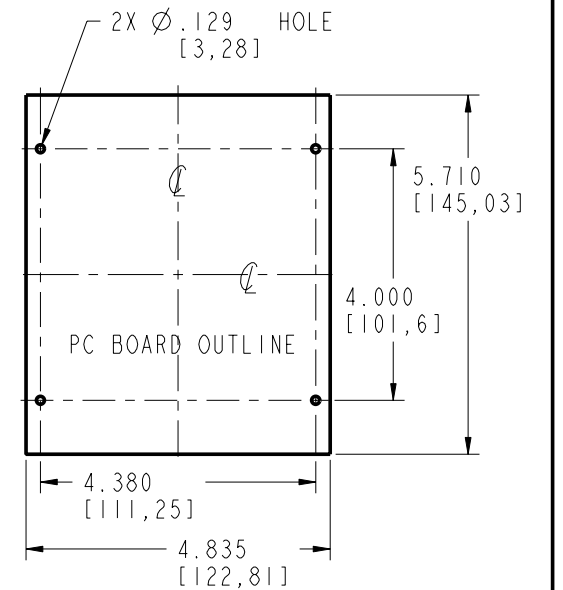
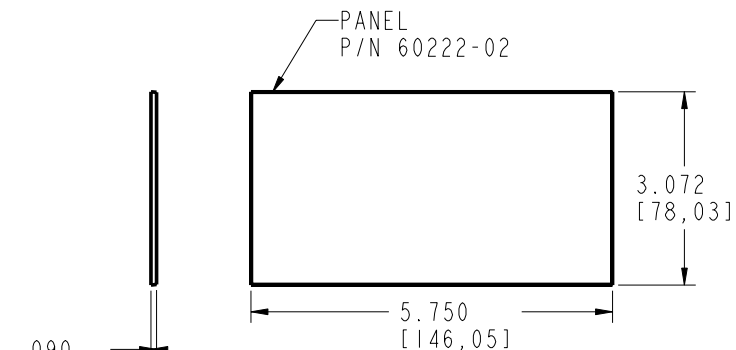
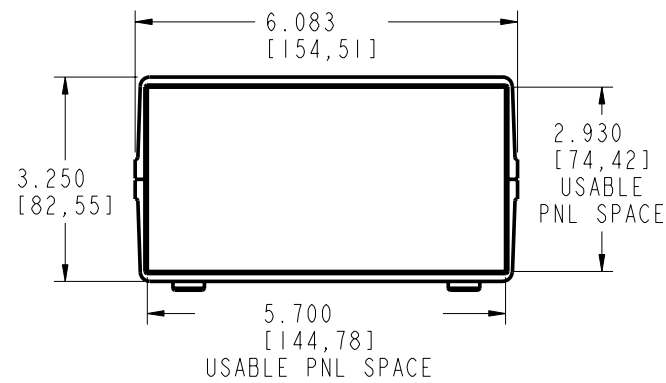
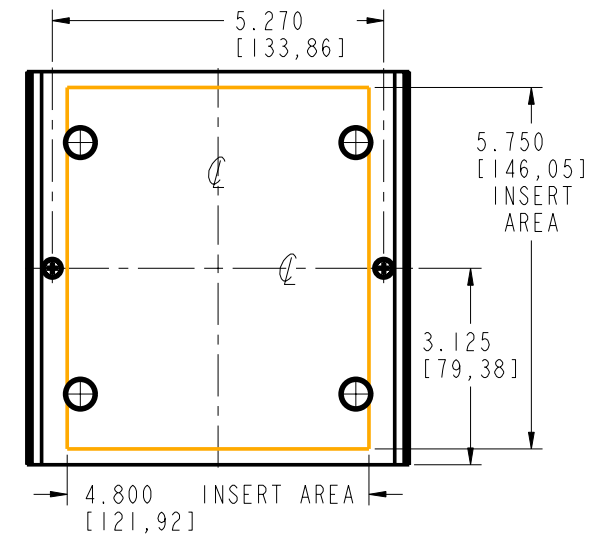


**CM6-300**



**SECTION B-B**



**SECTION A-A**

**PACINTEC**<sup>®</sup>  
1-610-361-4231

**CM6-300**

VISIT **PACINTEC**<sup>®</sup>  
ON THE WORLD WIDE WEB  
[www.pactecenclosures.com](http://www.pactecenclosures.com)

PCB MTG. SCREWS:  
PHP #4 TYPE B X 1/4 LG.

COLOR / MATERIAL CODE		
COLOR	94HB	94VO
BLACK	000	028
P.C.BONE	039	060

INSERT AREAS ARE SECTIONS IN OUR TOOLS  
THAT CAN BE REMOVED AND REPLACED WITH  
CUSTOMER SPECIFIC DETAILS

DRAWING NUMBER	REV
79332	C

# Mouser Electronics

Authorized Distributor

Click to View Pricing, Inventory, Delivery & Lifecycle Information:

[PacTec:](#)

[64000-510-000 KCM6-300 BLACK Kit](#) [63999-510-039 CM6-300 Bone Kit](#) [60222-02-028 CM6-300 PNL BLACK](#)  
[64000-510-000 CM6-300 Black Kit](#)