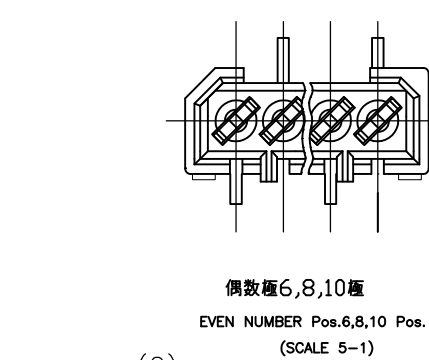
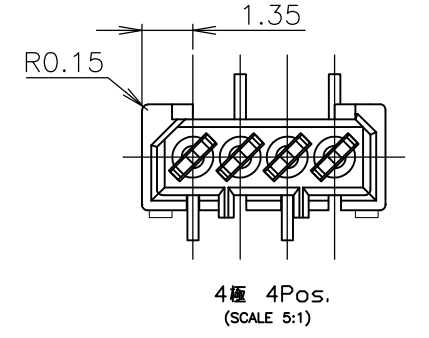
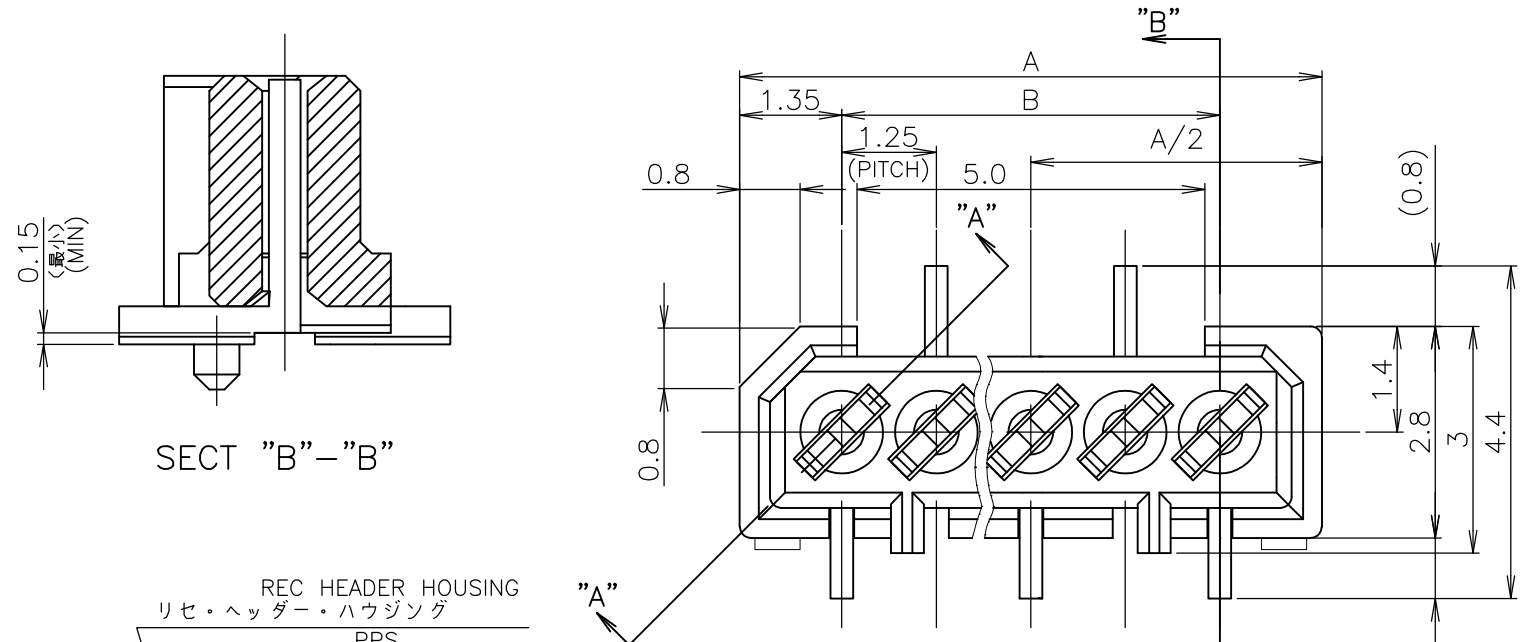


THIS DRAWING IS UNPUBLISHED. RELEASED FOR PUBLICATION  
 © COPYRIGHT By - ALL RIGHTS RESERVED.

LOC	DIST	REVISIONS					
J		P	LTR	DESCRIPTION	DATE	DWN	APVD
		M	REVISED	ECR-14-010014	15NOV2014	I.T	W.H

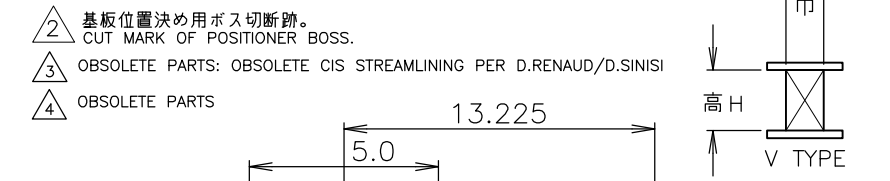


注記  
NOTES  
1 嵌合相手製品型番及び、嵌合寸法は  
MATING COUNTER PART NUMBER AND DIMENSIONS  
表-1 参照のこと。  
AFTER MATING: SEE TABLE 1.

嵌合時寸法: 巾(W) × 高さ(H) ASSY  
DIMENSIONS AFTER MATING: WIDE(mm) × HEIGHT(mm)

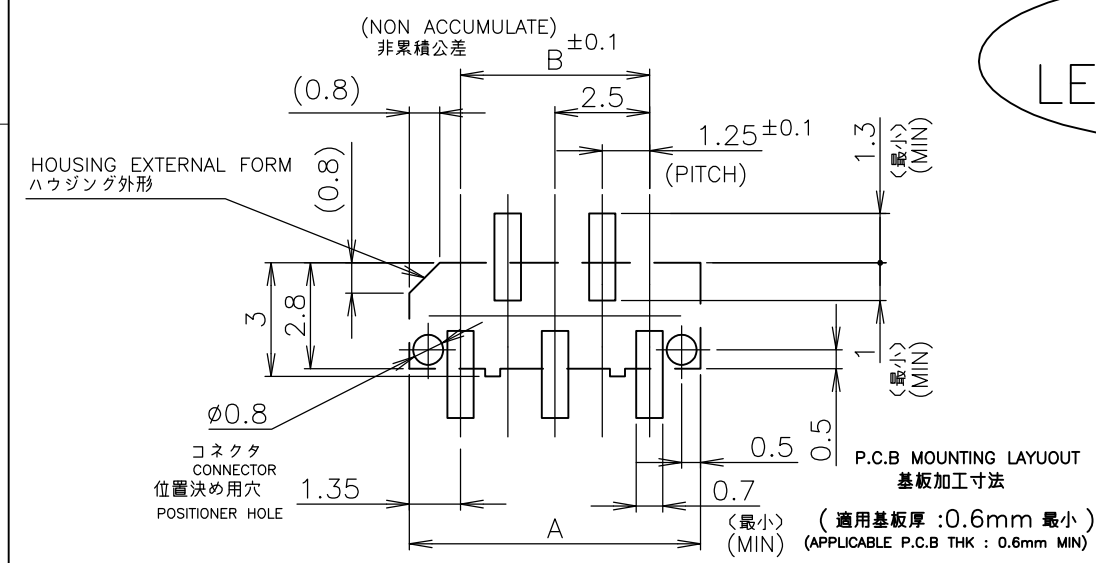
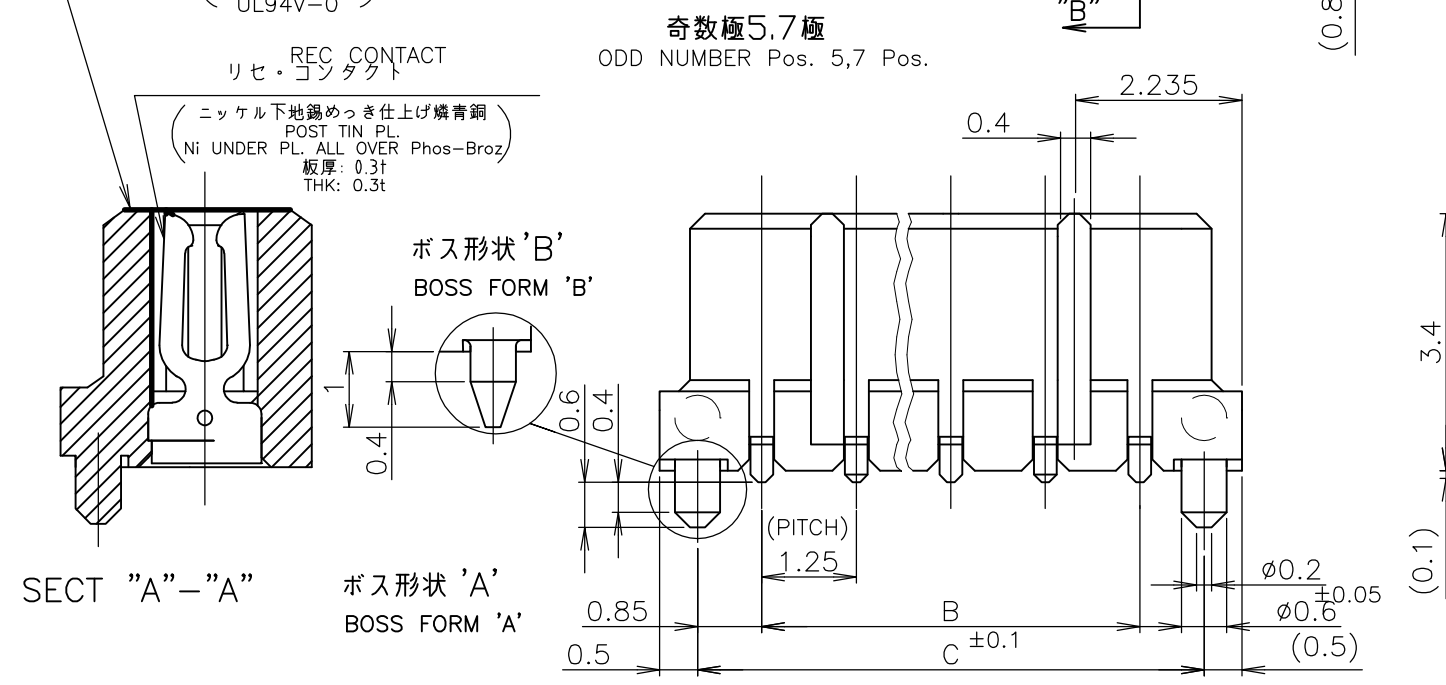
SMT TYPE	MATING COUNTER CONN 嵌合相手側コネクタ POST HDR ASSY		WITH BOSS X-174637-X	
	製品型番	P/N	高さ H	4.4 (巾W) x
DIP TYPE	X-174642-X		3.95	5.1 (高さH)
			5.95	7.0 (高さH)
SMT TYPE	ボス無 WITHOUT BOSS X-174644-X		3.95	4.4 (巾W) x
	ボス付 WITH BOSS X-174820-X		5.95	7.1 (高さH)

TABLE 1 SMT TYPEは、巾及び高さ寸法に  
SMT TYPE INCLUDE DIMENSIONS  
半田付タイン部寸法を含みます。  
OF SOLDER DIP TINE.



20極 20Pos.  
(SCALE 5-1)

	25.45	23.75	26.45	20	△3	5	0
'A'	21.70	20.00	22.70	17	△3	4	7
'B'	12.95	11.25	13.95	10	4	-	0
	10.45	8.75	11.45	8	3	-	8
'A'	9.20	7.50	10.20	7	△3	3	7
	7.95	6.25	8.95	6	△3	3	6
	6.70	5.00	7.70	5	△3	3	5
'B'	5.45	3.75	6.45	4	3	-	4
ボス形状 BOSS FORM	C	B	A	極数 Pos.			型番 P/N
							3-174637-4



鉛フリー  
LEAD FREE

THIS DRAWING IS A CONTROLLED DOCUMENT.

DIMENSIONS: mm	TOLERANCES UNLESS OTHERWISE SPECIFIED: 0-PLC ± 1-PLC ± 2-PLC ± 3-PLC ± 4-PLC ± ANGLES ±3°	DWN S.KANEKI 13MAY91 CHK J.TANIGAWA 13MAY91 APVD S.KUBOUCHI 24DEC98 PRODUCT SPEC APPLICATION SPEC WEIGHT
MATERIAL AS SHOWN 図中参照	FINISH AS SHOWN 図中参照	CUSTOMER DRAWING

**STE** TE Connectivity

1.25 F-P CONNECTOR (B-TO-B)  
SINGLE ROW REC HDR ASS'Y (V) SMT TYPE  
WITH BOSS

SIZE: A3 CAGE CODE: 00779 DRAWING NO: C-174637 RESTRICTED TO: -

SCALE: 10:1 SHEET: 1 OF 1 REV: M

# Mouser Electronics

Authorized Distributor

Click to View Pricing, Inventory, Delivery & Lifecycle Information:

[TE Connectivity:](#)

[4-174637-7](#)