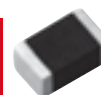


## Multilayer Power Inductors

Type: **ELGTEA**



This series is not a recommended product.  
Not recommended for new design.



### Features

- Superior DC current bias characteristics by the original laminating process technology
- Magnetic shielded structure
- Small and thin structure (2.0×1.25×1.0mm max.)
- RoHS compliant

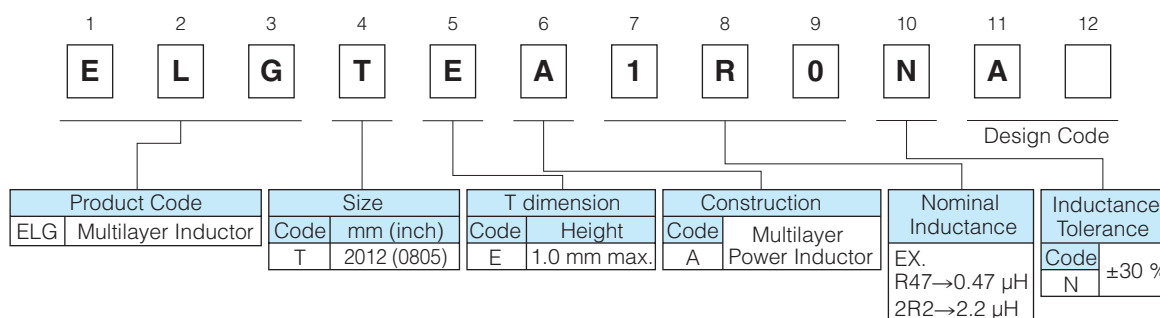
### Recommended Applications

- DC/DC converter circuit use of the small portable device  
Smart phone, mobile phone, DSC .

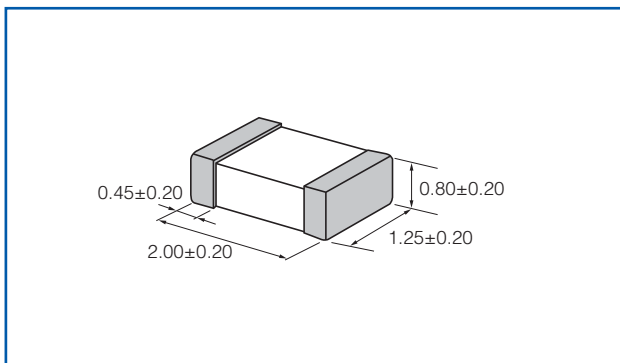
### Standard Packing Quantity

- 4000 pcs./Reel

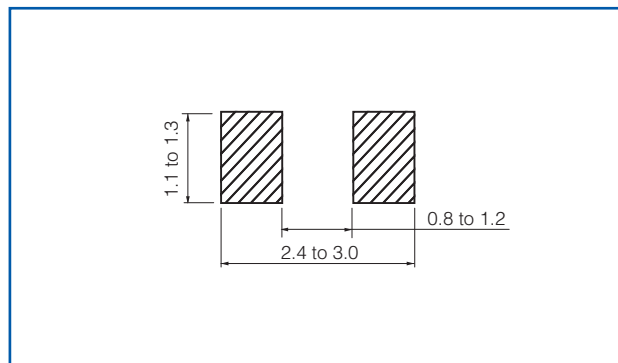
### Explanation of Part Numbers



### Dimensions in mm (not to scale)



### Recommended Land Pattern in mm (not to scale)



## Ratings and Characteristics

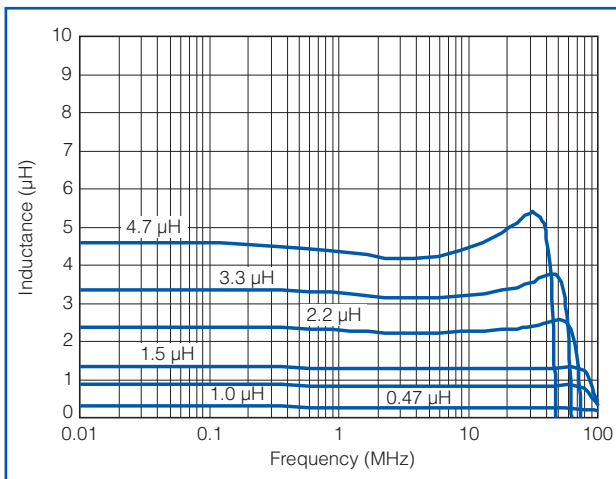
Part Number	Inductance at 1 MHz		DC Resistance at 20 °C ( $\Omega$ ) max.	Rated Current* <sup>1</sup> (A)	Self-resonant Frequency* <sup>2</sup> (MHz)
	( $\mu$ H)	Tol.			
ELGTEAR47NA	0.47	$\pm 30\%$	0.10	1.2	126
ELGTEA1R0NA	1.0	$\pm 30\%$	0.15	1.0	80
ELGTEA1R5NA	1.5	$\pm 30\%$	0.18	1.0	80
ELGTEA2R2NA	2.2	$\pm 30\%$	0.20	0.8	55
ELGTEA3R3NA	3.3	$\pm 30\%$	0.25	0.8	50
ELGTEA4R7NA	4.7	$\pm 30\%$	0.30	0.8	33

● Operating Temperature Range :  $-40$  to  $125$  °C (Including self-temperature rise)

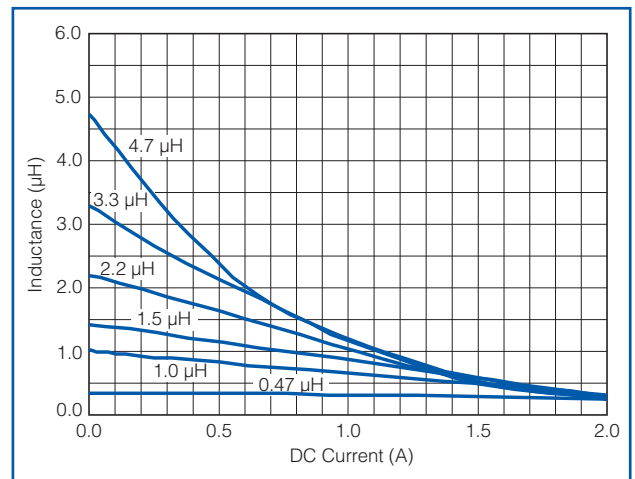
\*<sup>1</sup> This indicates the value of current when temperature rise  $dt/t=40$  °C (at 20 °C).

\*<sup>2</sup> Reference data

## Inductance frequency characteristics

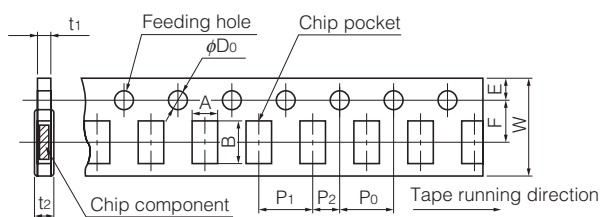


## DC current bias characteristics



## Packaging Methods (Taping)

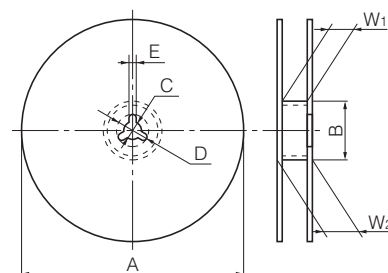
● Punched Carrier Taping (Pitch 4mm)



(Unit : mm)

Symbol	A	B	W	F	E	P <sub>1</sub>	P <sub>2</sub>	P <sub>0</sub>	$\phi D_0$	t <sub>1</sub>	t <sub>2</sub>
Dim (mm)	1.65 $\pm 0.20$	2.4 $\pm 0.2$	8.0 $\pm 0.2$	3.50 $\pm 0.05$	1.75 $\pm 0.10$	4.0 $\pm 0.1$	2.00 $\pm 0.05$	4.0 $\pm 0.1$	1.5 $+0.1$ 0	1.2 max.	1.4 max.

● Taping Reel

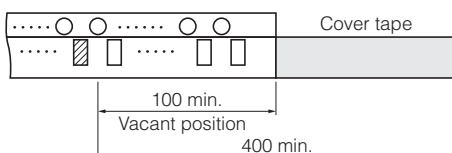


(Unit : mm)

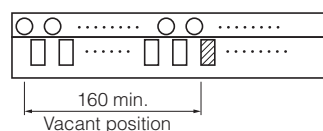
Symbol	$\phi A$	$\phi B$	C	D	E	W <sub>1</sub>	W <sub>2</sub>
Dim (mm)	180 <sub>-3</sub> <sup>0</sup>	60.0 <sub>0</sub> <sup>+1.0</sup>	13.0 $\pm 0.5$	21.0 $\pm 0.8$	2.0 $\pm 0.5$	9.0 <sub>0</sub> <sup>+1.0</sup>	11.4 $\pm 1.0$

● Leader Part and Taped End

Leader part



Tape end



(Unit : mm)

# Mouser Electronics

Authorized Distributor

Click to View Pricing, Inventory, Delivery & Lifecycle Information:

[Panasonic:](#)

[ELG-TEA1R5NA](#) [ELG-TEA3R3NA](#) [ELG-TEA2R2NA](#) [ELG-TEAR47NA](#) [ELG-TEA1R0NA](#) [ELG-TEA4R7NA](#)