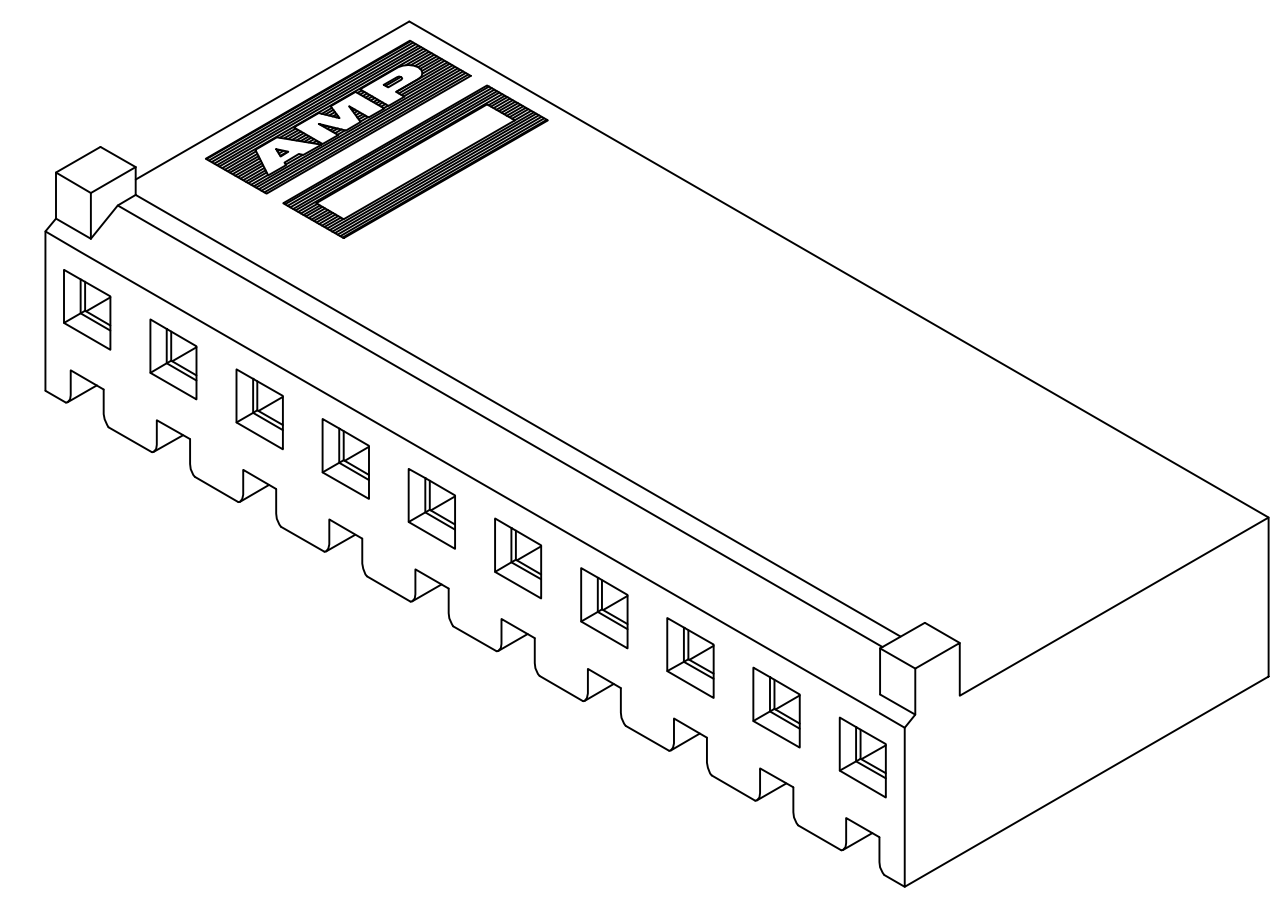
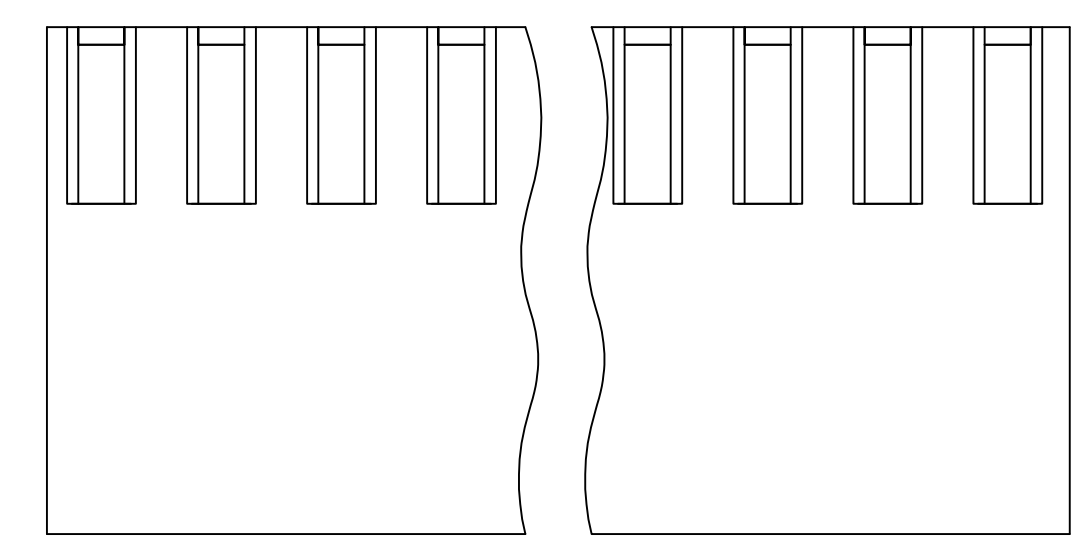
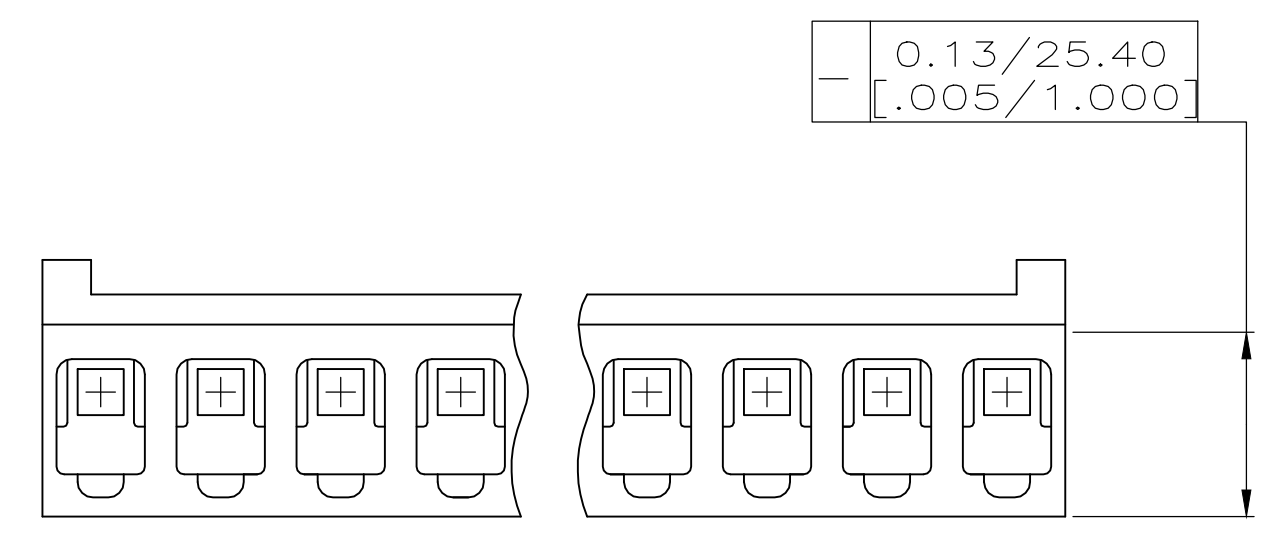
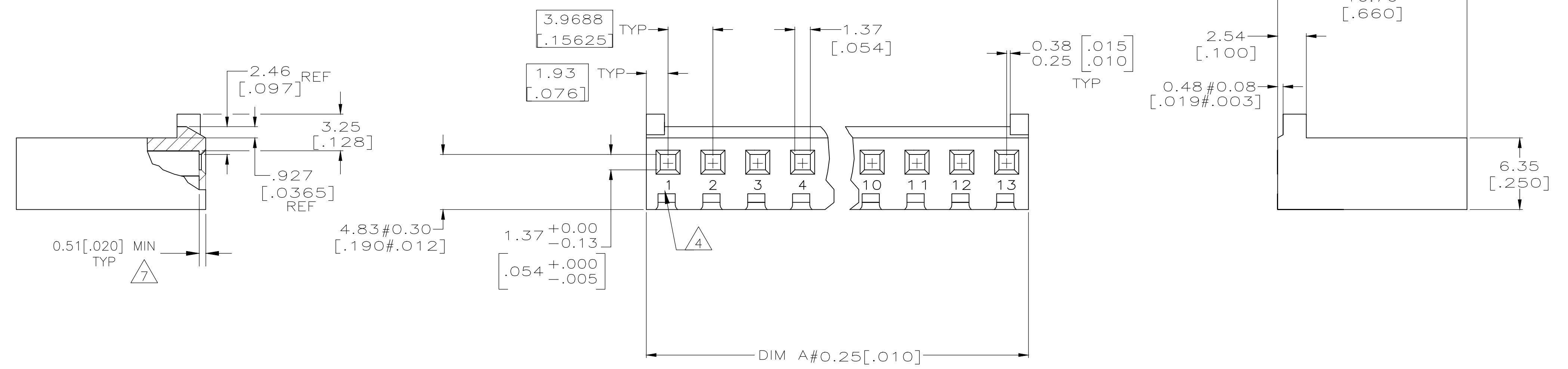
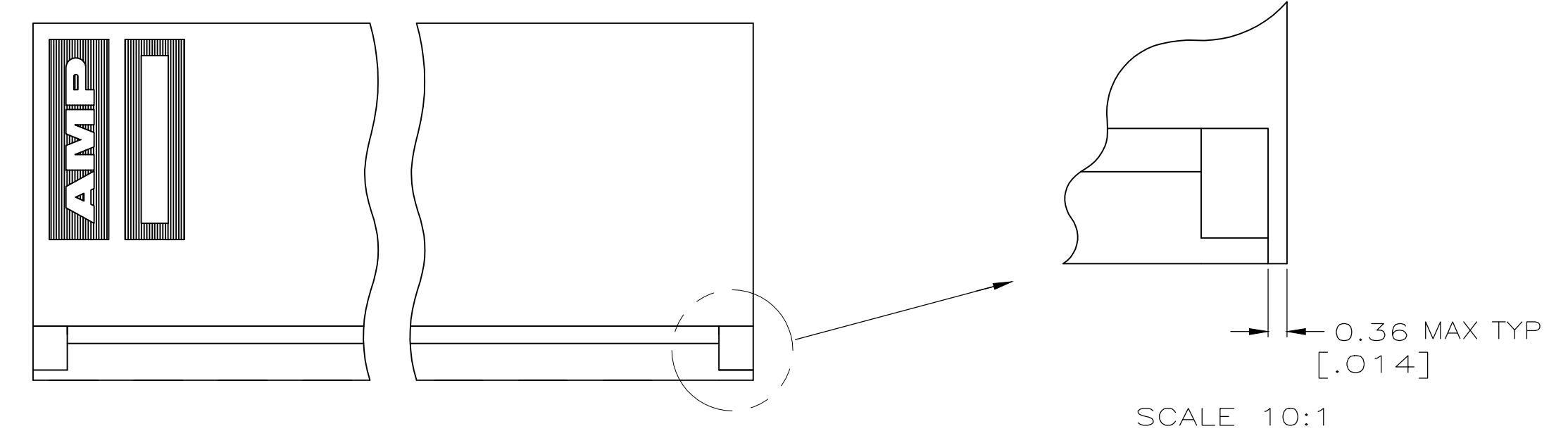


REVISIONS				
P	LTR	DESCRIPTION	DATE	APP'D
P4		REVISED PER ECR-18-019533	28MAR2019	SC D.Z

- 1 UNIT ACCEPTS 1.14[.045] SQUARE OR ROUND POST.
- 2 UNIT ACCEPTS STANDARD SL-156 CONTACTS.
- 3 UNIT ACCEPTS KEYING PLUG 640254-1 AND KEYING PIN 640255-1.
- 4 IDENTIFICATION NUMBER FOR ALL POSITIONS, OR FOR POSITION 1 ONLY, WILL BE LOCATED AS SHOWN.
- 5 DIMENSIONS IN BRACKETS ARE IN INCHES.
- 6 NO CSA/UR LOGO
- 7 MEETS UL61800-5-1

Flam	RTIe deg C	HWI	HWI	CTI
V0	120C	PLC4	PLC0	PLC0_UL746



6	COLOR	DIM A	NO OF POSN	PART NUMBER
	YELLOW	7.82 [.308]	2	8-770849-2
	BROWN	7.82 [.308]	2	7-770849-2
	BLUE	7.82 [.308]	2	6-770849-2
	RED	7.82 [.308]	2	5-770849-2
	GRAY	7.82 [.308]	2	4-770849-2
	BLACK	7.82 [.308]	2	3-770849-2
	NATURAL	95.15[3.746]	24	2-770849-4
	NATURAL	91.19[3.590]	23	2-770849-3
	NATURAL	87.20[3.433]	22	2-770849-2
	NATURAL	83.24[3.277]	21	2-770849-1
	NATURAL	79.27[3.121]	20	2-770849-0
	NATURAL	75.31[2.965]	19	1-770849-9
	NATURAL	71.30[2.807]	18	1-770849-8
	NATURAL	67.34[2.651]	17	1-770849-7
	NATURAL	63.40[2.496]	16	1-770849-6
	NATURAL	59.44[2.340]	15	1-770849-5
	NATURAL	55.45[2.183]	14	1-770849-4
	NATURAL	51.49[2.027]	13	1-770849-3
	NATURAL	47.52[1.871]	12	1-770849-2
	NATURAL	43.56[1.715]	11	1-770849-1
	NATURAL	39.57[1.558]	10	1-770849-0
	NATURAL	35.61[1.402]	9	770849-9
	NATURAL	31.65[1.246]	8	770849-8
	NATURAL	27.69[1.090]	7	770849-7
	NATURAL	23.70[.933]	6	770849-6
	NATURAL	19.74[.777]	5	770849-5
	NATURAL	15.77[.621]	4	770849-4
	NATURAL	11.81[.465]	3	770849-3
	NATURAL	7.82[.308]	2	770849-2

1-770849-3 SHOWN

THIS DRAWING IS A CONTROLLED DOCUMENT.

DIMENSIONS: INCHES	TOLERANCES UNLESS OTHERWISE SPECIFIED:	DIN K. SALMON 5-22-91	CHK R. SWING 5-22-91	APPROV D. WORTHINGTON 5-22-91	NAME
0 PLC ± -	1 PLC ± -	2 PLC ± -	3 PLC ± 0.13 [.005]	4 PLC ± -	ANGLES ± -
MATERIAL NYLON,UL 94V-0 NATURAL	FINISH -	WEIGHT -	SIZE A1	CAGE CODE 00779	DRAWING NO 770849
CUSTOMER DRAWING		SCALE 4:1	SHEET 1 OF 1	REV P4	RESTRICTED TO

STE TE Connectivity
HOUSING WITH LOCKING RAMP AND POLARIZING TABS, SL-156